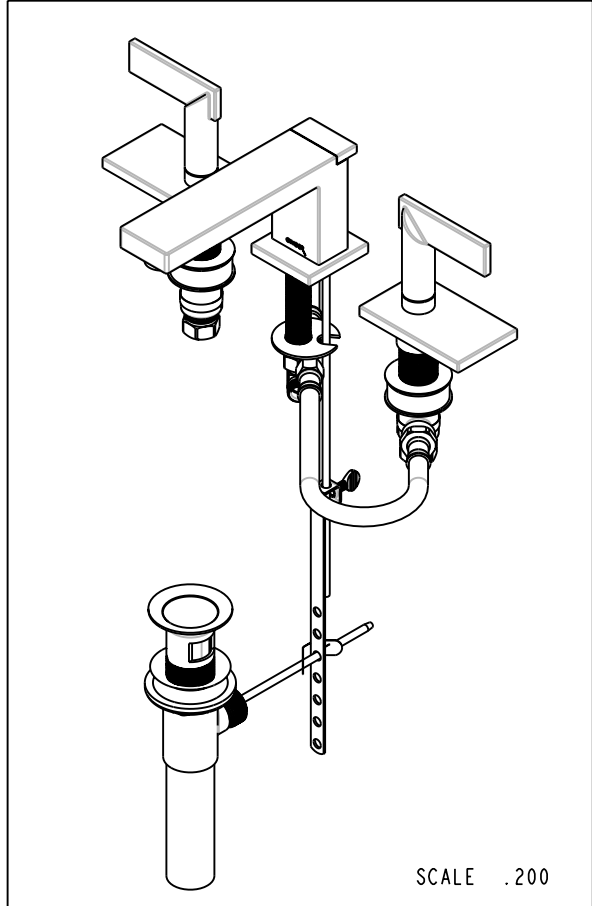


BILL OF MATERIAL (CURRENT LEVEL)				
ITEM	PT/ASSY	DESCRIPTION	TYPE	QTY.
1	1-567	WIDESPREAD VALVE KIT	ASSEMBLY	1
2	8-022	SURFACE WIDESPREAD SPOUT ASM	ASSEMBLY	1
3	8-024	WIDESPREAD SPOUT BASE ASM	ASSEMBLY	1
4	8-025	WIDESPREAD ESCUTCHEON BASE ASM	ASSEMBLY	2
5	8-026	HANDLE ASM	ASSEMBLY	2
6	325	POP UP ASSEMBLY	ASSEMBLY	1
7	10288	3/16" POP UP ROD	PART	1
8	80030	POP UP KNOB	PART	1



COPYRIGHT 2005 GINGER. THESE DRAWINGS AND THE DESIGNS DEPICTED HEREIN ARE THE PROPRIETARY PROPERTY OF GINGER. ANY USE OR REPRODUCTION IS SUBJECT TO THE EXPRESS APPROVAL OF GINGER. UNAUTHORIZED USE IS STRICTLY PROHIBITED. ALL RIGHTS RESERVED.

GINGER

460-W GREENWAY INDUSTRIAL DRIVE
FORT MILL, SC 29708
(803) 547-5786

SURFACE W/S TRIPLE DECK PLATE FAUCET SET

ASSY. NO.		G28-101			
SCALE .250	REF. -	SHEET 1 OF 2	REV	EO-0368	10/20/04
			REV DESC		DATE