

Complement  
your purchase  
with these  
*fine accessories*  
also from

GINGER<sup>®</sup>



Lights

Mirrors

Towel Bars

Bud Vases

Towel Rings

Soap Dishes

Hotel Shelves

Tumbler Holders

Toilet Tissue Holders

Shower Curtain Rods

Soap & Bottle Baskets

Cabinet Hardware

Toiletry Shelves

Grab Bars

Hooks

# MIRROR



STATIONARY & WITH  
TILT MECHANISM

INSTALLATION  
INSTRUCTIONS

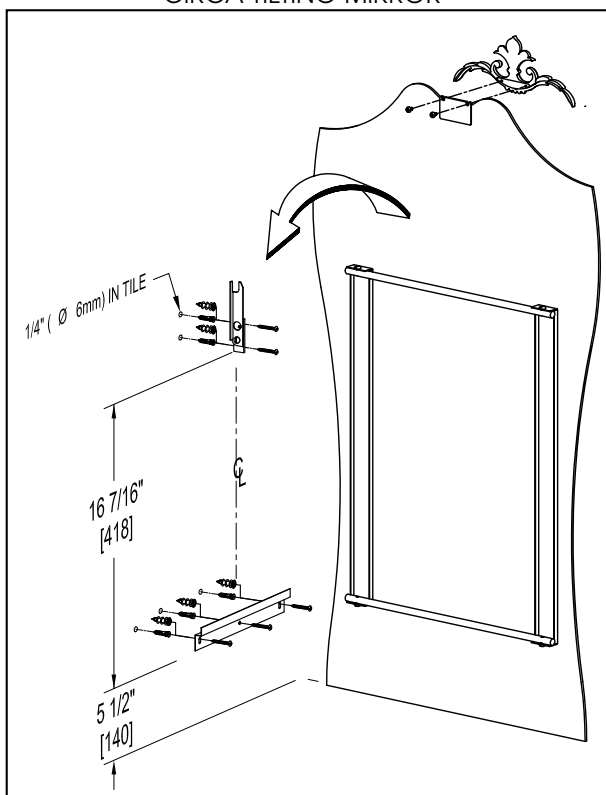
*for*

CIRCA

CIRCA TILTING MIRROR

## TILTING MIRROR INSTALLATION:

- Determine location of mirror on wall.
  - Position the mounting bracket as illustrated. The bracket should be level and in the center of the desired mirror location. Mark the location of the mounting bracket screw holes on the wall.
  - Position the tilting mechanism as illustrated. Mark the location of the mounting screw holes on the wall.
- 4a. For drywall installation:**  
Using a No. 2 Phillips screwdriver, push and turn zinc anchors in a clock-wise direction until flush with wall surface. If wood cross bracing or a stud is present, pre-drill a 1/4" (6mm) diameter hole and install small plastic anchor in place of the zinc anchor.
- 4b. For tile or solid wall installation:**  
Drill 1/4" (6mm) on marks made in Step 1. Insert plastic wall anchors and tap flush with wall.
- Position the mounting bracket and the tilting mechanism over the anchors and install screws.
  - Swing the tilting mechanism to the vertical position (flush against the wall.)
  - Slide mirror down wall until cross rods are engaged in tilting mechanism and mounting bracket. The bracket, not the tilting mechanism, should support weight of mirror. Adjust mounting bracket or tilting mechanism position if necessary.



## Ornament Mounting Installation:

- Prior to Mirror installation slightly loosen screws on the back of the ornament.
- Slide ornament over ornament mounting bracket.
- Tighten screws on ornament until snug with mounting bracket.

## STATIONARY MIRROR INSTALLATION:

- Determine location of mirror on wall.
- Position the mounting bracket as illustrated. The bracket should be level and in the center of the desired mirror location. Mark the location of the mounting bracket screw holes on the wall.

### 3a. For drywall installation:

Using a No. 2 Phillips screwdriver, push and turn zinc anchors in a clock-wise direction until flush with wall surface. If wood cross bracing or a stud is present, pre-drill a 1/4" (6mm) diameter hole and install small plastic anchor in place of the zinc anchor.

### 3b. For tile or solid wall installation:

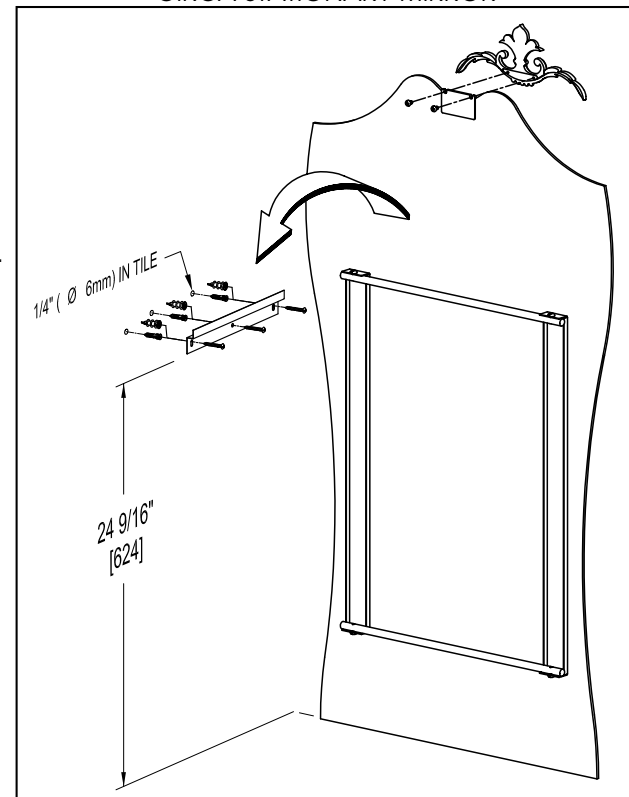
Drill 1/4" (6mm) on marks made in Step 1. Insert plastic wall anchors and tap flush with wall.

- Position mounting bracket over the anchors and install screws.
- Slide mirror down wall until cross rod is supported by the mounting bracket.

## Tools needed:

Pencil, Tape measure, Phillips Screwdriver, Drill and Level.

CIRCA STATIONARY MIRROR



To clean, use warm water only.



No chemical cleaners.