

SUSSEX INSTALLATION INSTRUCTIONS

for
**TRADITIONAL
SHELF**

*Complement
your purchase
with these
fine accessories
also from
GINGER®:*

*Towel Bars
Towel Rings
Toilet Tissue Holders
Hooks
Soap Dishes
Tumbler Holders
Toiletry Shelves
Grab Bars
Mirrors
Lights
Bud Vases
Hotel Shelves
Shower Curtain Rods
Soap & Bottle Baskets
Cabinet Hardware*



460-N Greenway Industrial Drive
Fort Mill, SC 29708

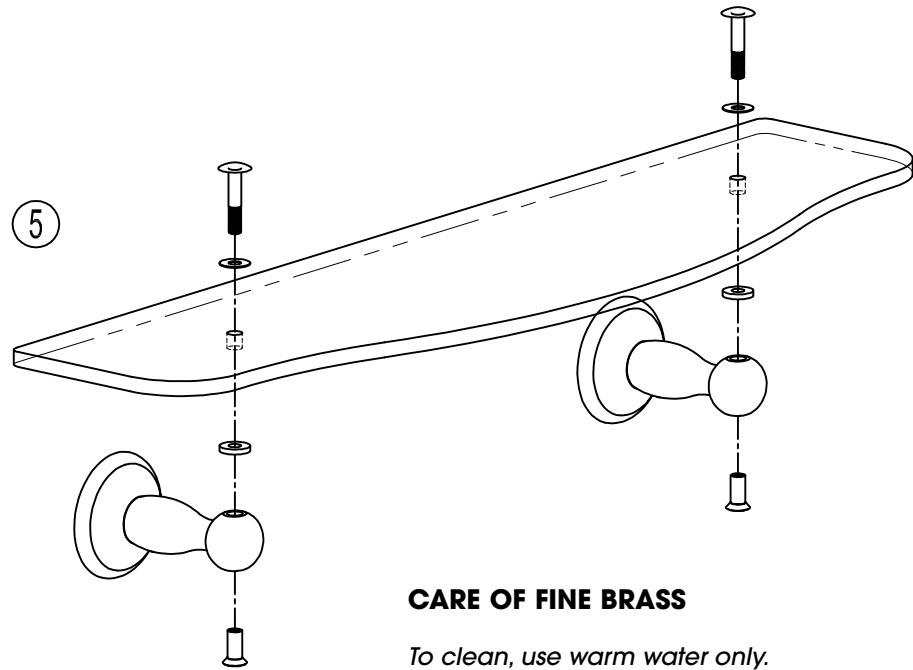
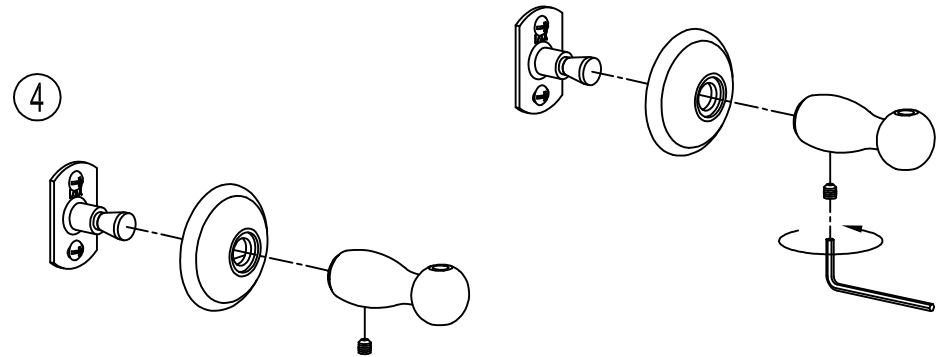
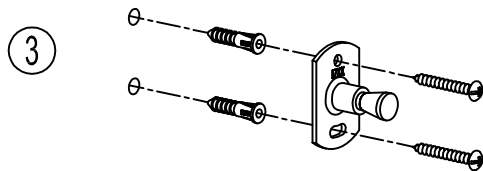
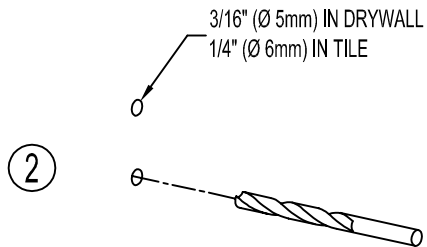
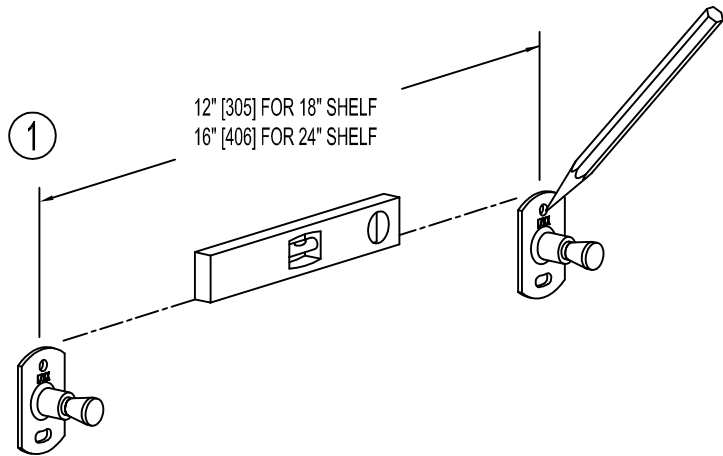
www.gingerco.com





TRADITIONAL SHELF INSTALLATION INSTRUCTIONS

SUSSEX



CARE OF FINE BRASS

*To clean, use warm water only.
NEVER use abrasives or detergents.*