

*Complement
your purchase
with these
fine accessories
also from
GINGER®*

INSTALLATION INSTRUCTIONS

for
Replacement
Shades

*Towel Bars
Towel Rings
Toilet Tissue Holders
Hooks
Soap Dishes
Tumbler Holders
Toiletry Shelves
Grab Bars
Mirrors
Lights
Bud Vases
Hotel Shelves
Shower Curtain Rods
Soap & Bottle Baskets
Cabinet Hardware*

460-N Greenway Industrial Drive
Fort Mill, SC 29708

www.gingerco.com

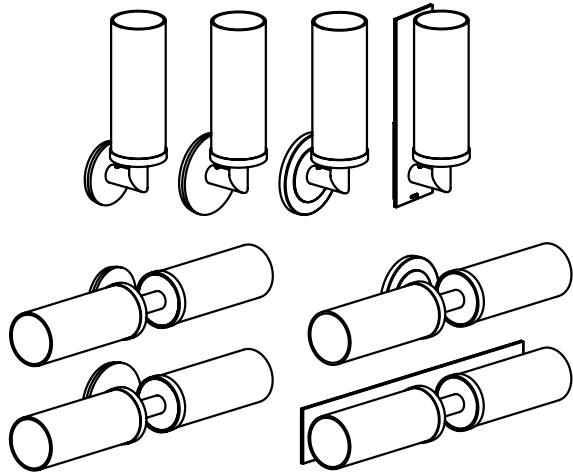
GINGER®

GINGER[®]

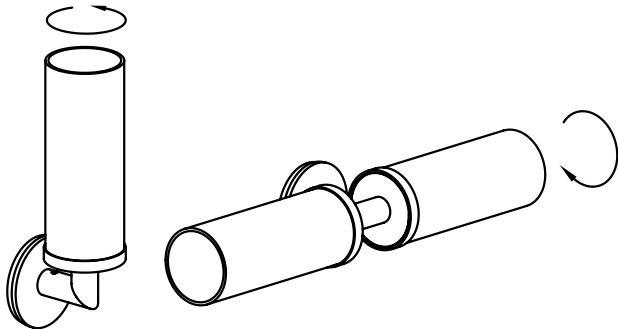
SHADE REPLACEMENT INSTRUCTIONS

3681/G/O Shade for

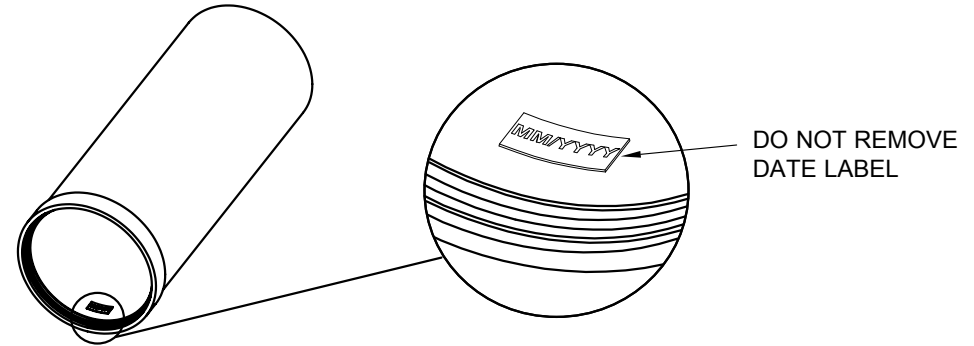
MODELS 36.00.21, 3681L, 4281, 2881,
3682, 3682L, 4282, and 2882.



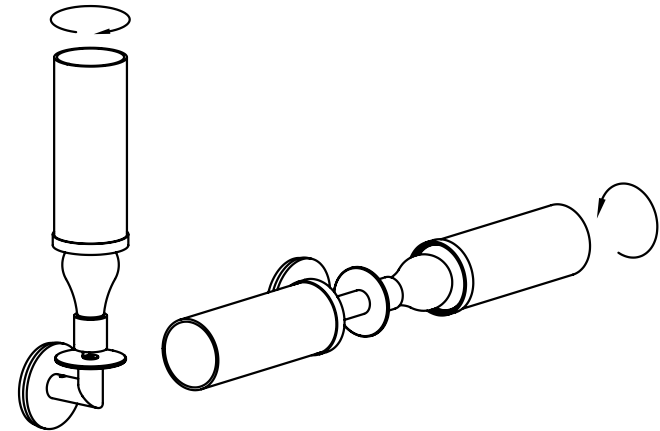
1. TURN OFF POWER TO LIGHT FIXTURE PRIOR TO SHADE REMOVAL TO PREVENT INCIDENTAL ELECTRIC SHOCK.
2. TO REMOVE SHADE ROTATE COUNTER CLOCKWISE AND DISCARD.



3. REMOVE REPLACEMENT SHADE FROM PACKAGING CHECKING FOR DATE CODE LABEL AS SHOWN. **DO NOT REMOVE LABEL FROM SHADE.**



4. ROTATE SHADE CLOCKWISE ASSEMBLING SHADE TO LIGHT FIXTURE.



CARE OF FINE BRASS

To clean, use soft cloth only.
NEVER use abrasives or detergents.