

NOTES:

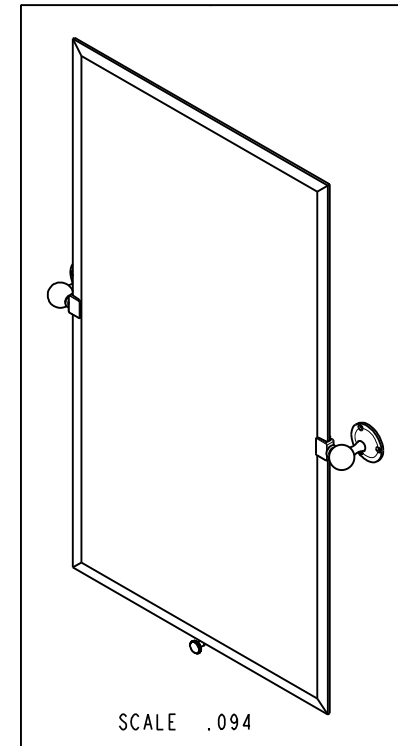
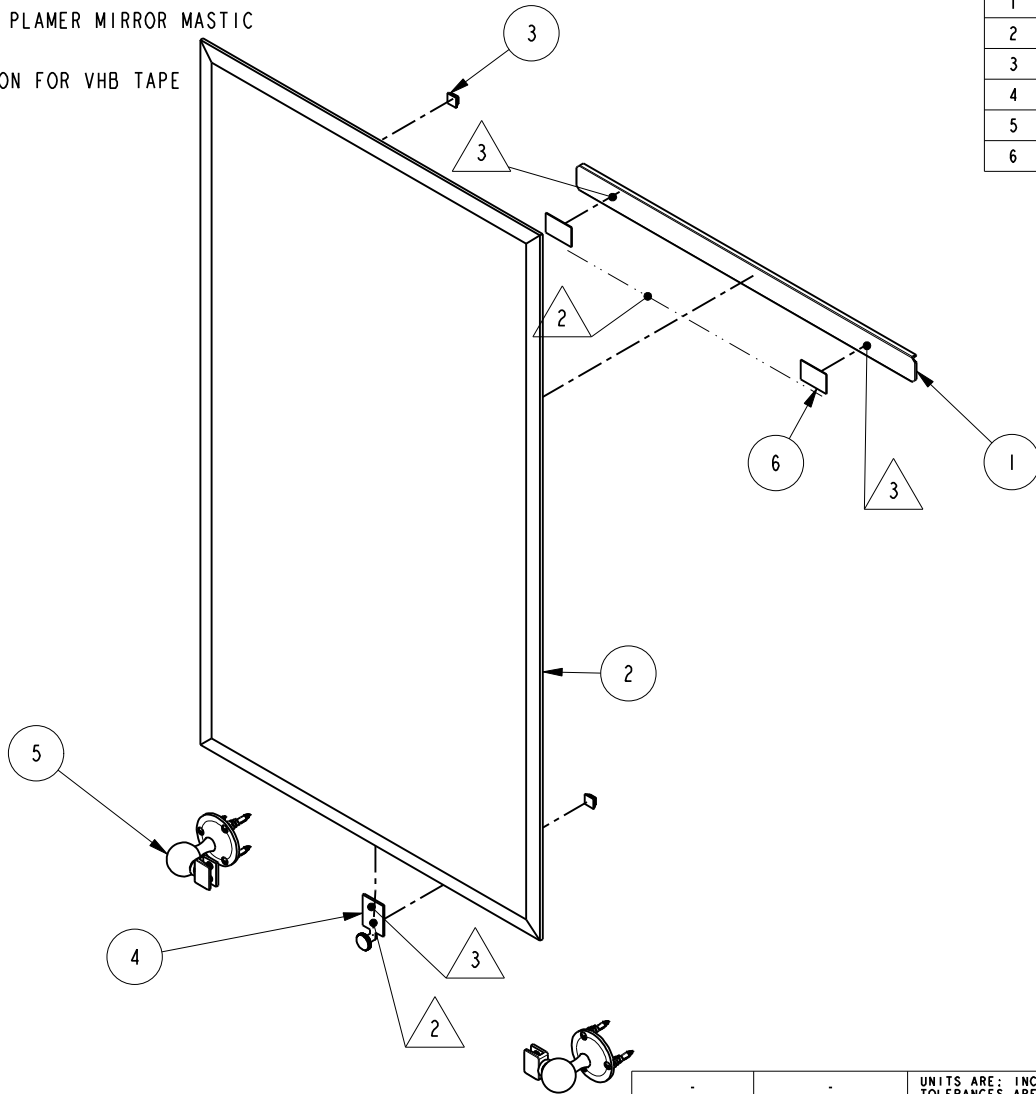
1. TO INSPECT ASSEMBLY, FOLLOW FIRST ARTICLE AND IN PROCESS INSPECTION SHEET.

2 APPLY PLAMER MIRROR MASTIC

3 LOCATION FOR VHB TAPE

BILL OF MATERIAL (CURRENT LEVEL)

ITEM	PT/ASSY	DESCRIPTION	TYPE	QTY.
1	2642SC	20" SUPPORT CHANEL	PART	1
2	C2642	20" x 36" MIRROR GLASS	PART	1
3	91477	ADHESIVE BACKED BUMPER	PART	2
4	2641-FPA	FINGER PULL	ASSEMBLY	1
5	014XNB	FRAMELESS MIRROR BRACKETS	ASSEMBLY	1
6	91462	VHB TAPE 1" X 1 1/2" LONG	PART	2



ZONE	REV	DESCRIPTION	DATE	APPROVED
-	C	EN-4300p	06/16/21	R.S.
-	B	EN-2148	04/30/12	-
-	A	EN-1479	02/25/10	-

COPYRIGHT 2005 BRASSTECH, INC. THESE DRAWINGS AND THE DESIGNS DEPICTED HEREIN ARE THE PROPRIETARY PROPERTY OF BRASSTECH. ANY USE OR REPRODUCTION IS SUBJECT TO THE EXPRESS APPROVAL OF BRASSTECH. UNAUTHORIZED USE IS STRICTLY PROHIBITED. ALL RIGHTS RESERVED.

TESTING	ASSEMBLY	PLATING	POLISHING	MACHINING	TOOLING FIXTURE #
-	-	-	-	-	-
-	-	-	-	-	-
-	-	-	NEXT ASSY	USED ON	-
-	-	-	-	-	-
APPLICATION					
REMOVE ALL BURRS AND SHARP EDGES					

UNITS ARE: INCHES [MM]
TOLERANCES ARE:
FRACTIONS DECIMALS ANGLES
±1/16" .X ±.1 [2.5] ±°
.XX ±.06 [1.5]

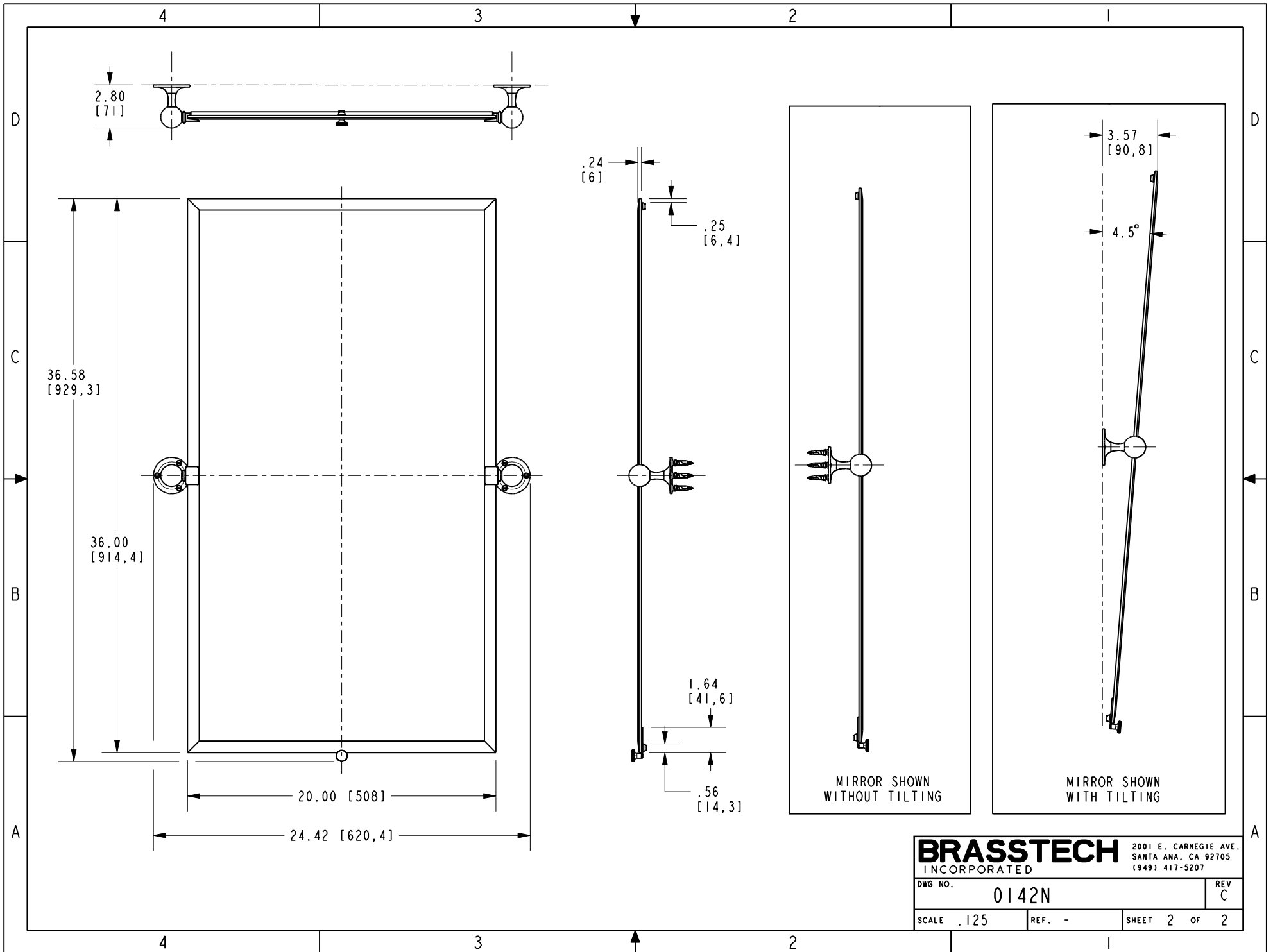
(X.XXX) DENOTES CRITICAL DIMS.
ALL THREADS ARE CRITICAL

DRAWN	JINSON	06/16/21
CHECKED	R.S.	06/16/21
APPROVED	R.S.	06/16/21

BRASSTECH 2001 CARNEGIE AVE.
INCORPORATED SANTA ANA, CA 92705
(949) 417-5207

CITY 212 20" X 36"
FRAMELESS MIRROR

DWG NO.	0142N	REV	C
SCALE	.125	REF.	-
SHEET	1	OF	2



BRASSTECH		2001 E. CARNEGIE AVE. SANTA ANA, CA 92705 (949) 417-5207	
DWG NO.	0142N	REV	C
SCALE	.125	REF.	-
SHEET 2		OF 2	