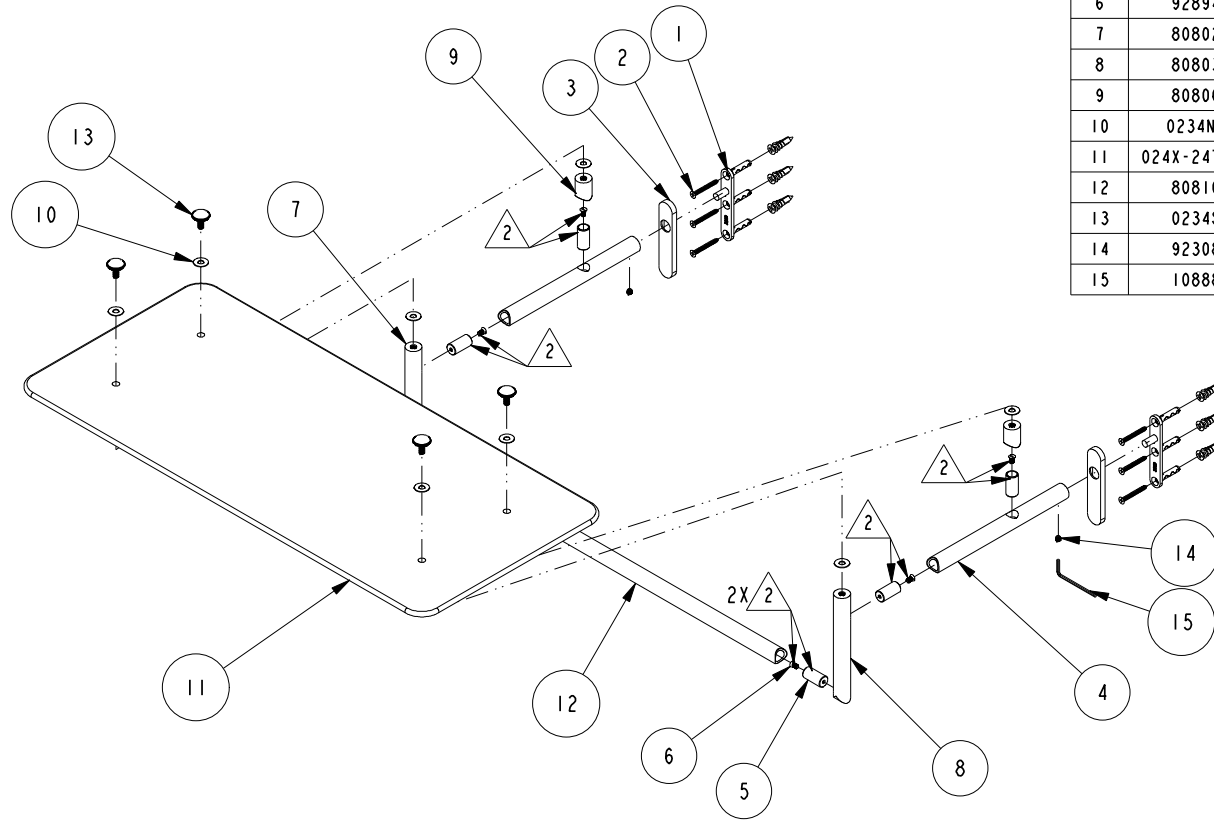


NOTES:

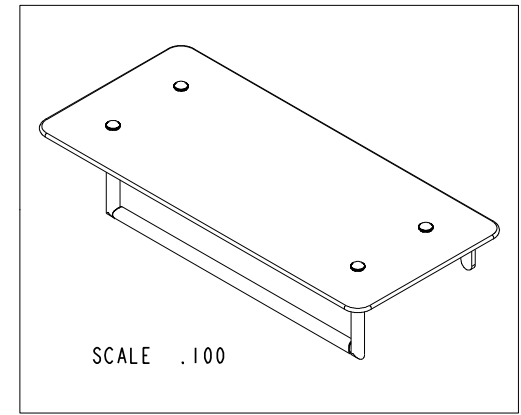
1. TO INSPECT ASSEMBLY, FOLLOW FIRST ARTICLE AND IN PROCESS INSPECTION SHEET.

2 APPLY LOCTITE 680



BILL OF MATERIAL (CURRENT LEVEL)

ITEM	PT/ASSY	DESCRIPTION	TYPE	QTY.
1	02XXC	MOUNTING BRACKET	PART	2
2	1-206	HARDWARE PACK	ASSEMBLY	4
3	80804	BACK PLATE	PART	2
4	80807	HOTEL SHELF POST	PART	2
5	80801	PIN	PART	6
6	92894	SCRW, M4 X .7 X 8 SLT FLT HD ZnPLATED	PART	6
7	80802	LEFT SHELF/TOWEL BAR RISER	PART	1
8	80803	RIGHT SHELF/TOWEL BAR RISER	PART	1
9	80806	SHELF RISER	PART	2
10	0234NW	TRANSLUCENT NYLON WASHER	PART	8
11	024X-24TSCGL	24" HOTEL SHELF GLASS	PART	1
12	80810	18" BAR	PART	1
13	0234S	TOP SCREW	PART	4
14	92308	SCRW, M5 X 5 SKT HD CUP PT W/ SELF LOC SS	PART	2
15	10888	HEX KEY, 2.5MM ALLOY STEEL	PART	1



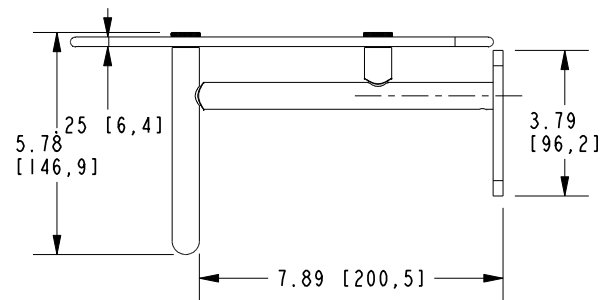
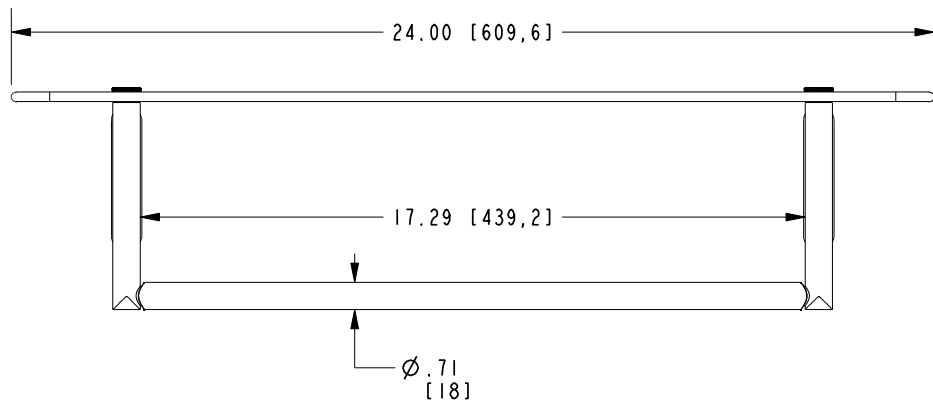
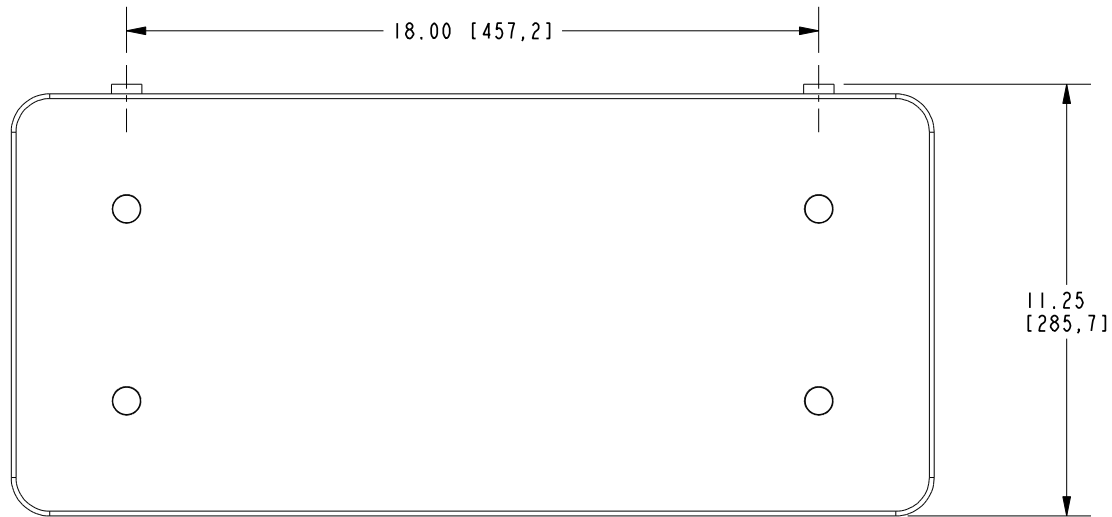
ZONE	REV	DESCRIPTION	DATE	APPROVED
-	C	EN-4429	01/14/22	R.S.
-	B	-	10/29/02	-
-	A	-	08/29/01	-
-	-	RELEASED	-	-

COPYRIGHT 2005 BRASSTECH, INC. THESE DRAWINGS AND THE DESIGNS DEPICTED HEREIN ARE THE PROPRIETARY PROPERTY OF BRASSTECH. ANY USE OR REPRODUCTION IS SUBJECT TO THE EXPRESS APPROVAL OF BRASSTECH. UNAUTHORIZED USE IS STRICTLY PROHIBITED. ALL RIGHTS RESERVED.

TESTING	-	-	-
ASSEMBLY	-	-	-
PLATING	-	-	-
POLISHING	-	NEXT ASSY	USED ON
MACHINING	-	APPLICATION	
TOOLING FIXTURE #	REMOVE ALL BURRS AND SHARP EDGES		

UNITS ARE: INCHES [MM]	
FRACTIONS DECIMALS	ANGLES
±1/16"	±1°
.X ±.1 [2.5]	
.XX ±.06 [1.5]	
(X.XXX) DENOTES CRITICAL DIMS. ALL THREADS ARE CRITICAL	
DRAWN	JIMSON 01/14/22
CHECKED	R.S. 01/14/22
APPROVED	R.S. 01/14/22

BRASSTECH 2001 CARNEGIE AVE. SANTA ANA, CA 92705 (949) 417-5207
 INCORPORATED
24" GLASS SHELF W/ TOWEL BAR
 DWG NO. **0243-24** REV **C**
 SCALE .125 REF. - SHEET 1 OF 2



BRASSTECH		2001 E. CARNEGIE AVE. SANTA ANA, CA 92705 (949) 417-5207
DWG NO.	0243-24	REV C
SCALE .200	REF. -	SHEET 2 OF 2