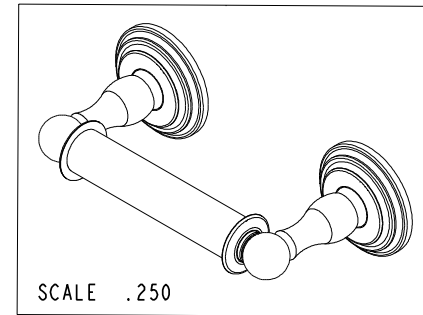
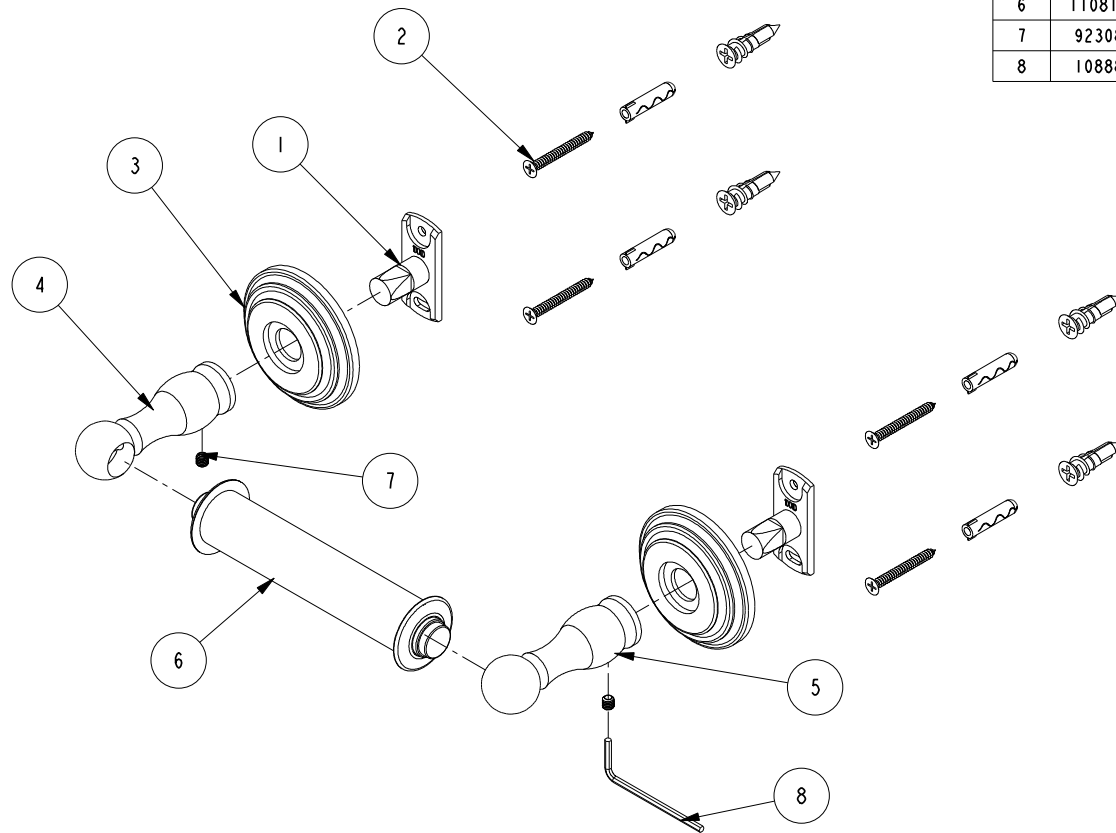


NOTES:

1. TO INSPECT ASSEMBLY, FOLLOW FIRST ARTICLE AND IN PROCESS INSPECTION SHEET.

BILL OF MATERIAL (CURRENT LEVEL)

ITEM	PT/ASSY	DESCRIPTION	TYPE	QTY.
1	11XXD	SOLID MOUNTING BRACKET	PART	2
2	1-206	HARDWARE PACK	ASSEMBLY	2
3	1100C	TOWEL SHELF ROSETTE	PART	2
4	40760	TISSUE POST - LEFT	PART	1
5	40761	TISSUE POST - RIGHT	PART	1
6	1108TN	TOILET TISSUE ROLLER	ASSEMBLY	1
7	92308	SCRW, M5 X 5 SKT HD CUP PT W/ SELF LOC SS	PART	2
8	10888	HEX KEY, 2.5MM ALLOY STEEL	PART	1



ZONE	REV	DESCRIPTION	DATE	APPROVED
-	B	EN-4378	07/27/21	R. S.
-	A	EN-4032	11/22/19	R. S.
-	-	RELEASED	02/01/04	-

COPYRIGHT 2005 BRASSTECH, INC. THESE DRAWINGS AND THE DESIGNS DEPICTED HEREIN ARE THE PROPRIETARY PROPERTY OF BRASSTECH. ANY USE OR REPRODUCTION IS SUBJECT TO THE EXPRESS APPROVAL OF BRASSTECH. UNAUTHORIZED USE IS STRICTLY PROHIBITED. ALL RIGHTS RESERVED.

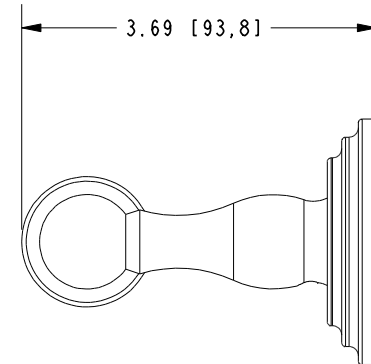
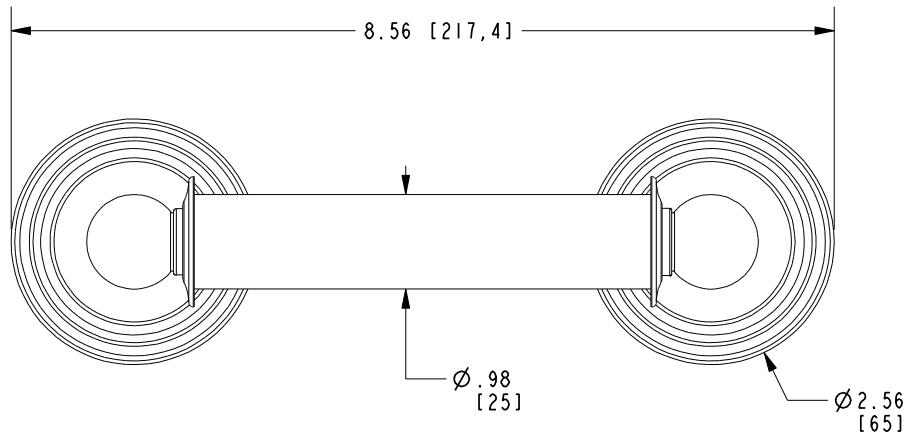
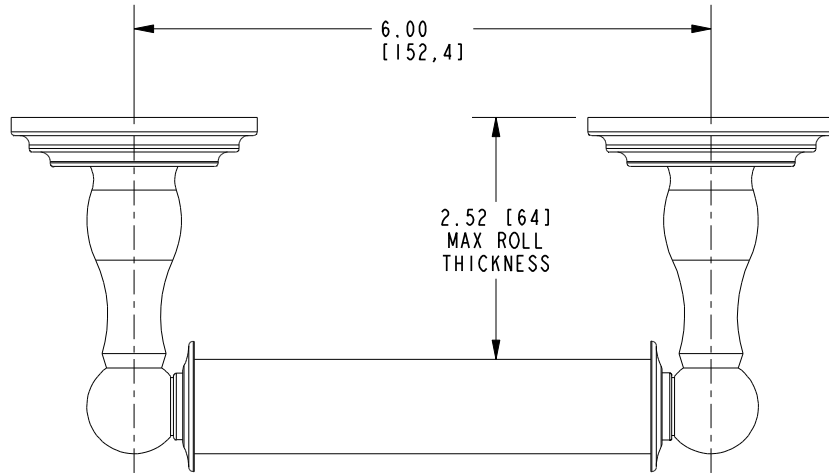
TESTING	ASSEMBLY	PLATING	POLISHING	MACHINING	TOOLING FIXTURE #	APPLICATION
-	-	-	-	-	-	REMOVE ALL BURRS AND SHARP EDGES
-	-	-	-	-	-	USED ON
-	-	-	-	-	-	NEXT ASSY

UNITS ARE:	INCHES	[MM]
TOLERANCES ARE:	FRACTIONS	DECIMALS
	±1/16"	.XX ±.06 (1.5)
	.X ±.1 (2.5)	.XX ±.06 (1.5)
		ANGLES ±1°
(X.XXX)	DENOTES CRITICAL DIMS.	
ALL THREADS ARE CRITICAL		
DRAWN	R.S.	07/26/19
CHECKED	J.M.	07/26/19
APPROVED	J.M.	07/26/19

BRASSTECH 2001 CARNEGIE AVE. SANTA ANA, CA 92705 (949) 417-5207
INCORPORATED

DOUBLE POST TT HOLDER

DWG NO.	REV	SCALE	REF.	SHEET	OF
1108N	B	.312	-	1	2



BRASSTECH		2001 E. CARNEGIE AVE. SANTA ANA, CA 92705 (949) 417-5207
DWG NO.	1108N	REV B
SCALE .500	REF. -	SHEET 2 OF 2