

4

3

2

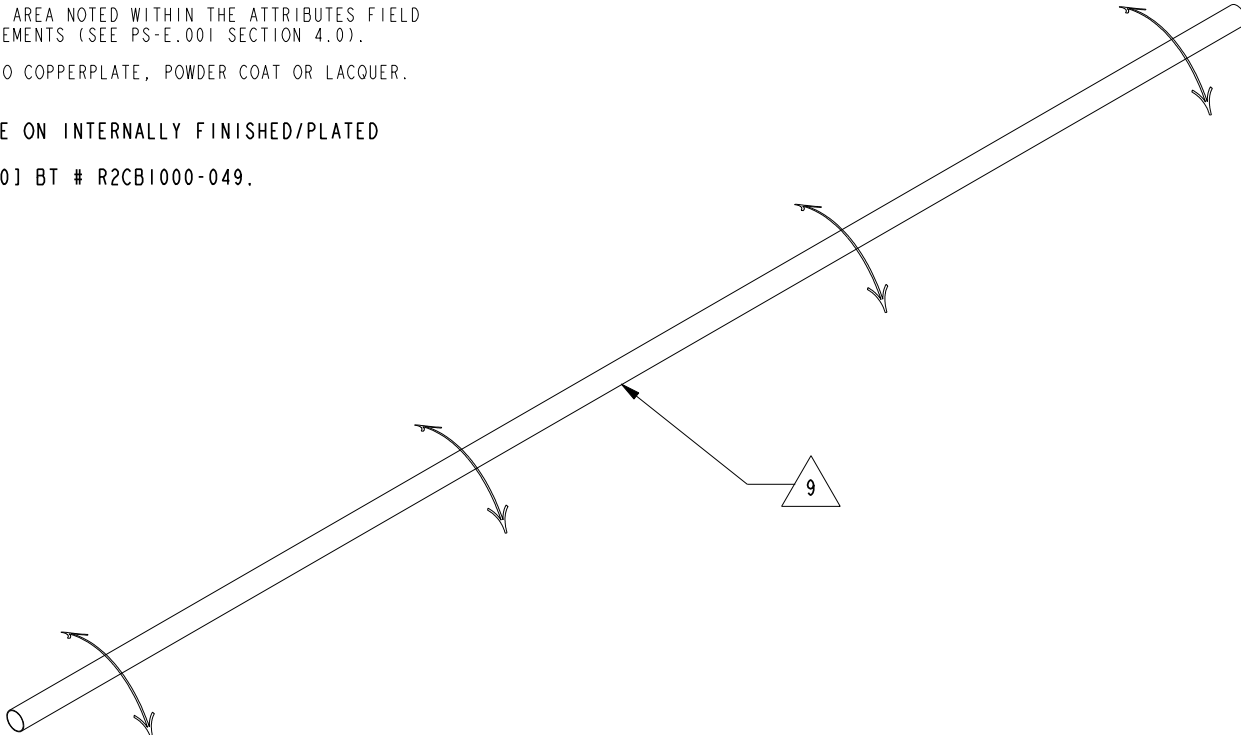
1

NOTES:

- (N1) 1. RAW METAL PARTS SHALL BE PURCHASED EXTERIOR POLISHED AND BUFFED. FOR MATERIAL SPECIFICATIONS SEE PS-E.001. FOR FINISH SPECIFICATIONS SEE SOP-Q.001 AND PS-Q.007.
- (N2) 2. UNDIMENSIONED PART FEATURES SHALL COMPLY WITH 3D CAD DATA TO MAINTAIN DESIGN INTENT.
- 3. AESTHETIC DIMENSION SHALL COMPLY WITH PS-E.002 TO MAINTAIN DESIGN INTENT.
- 4. THREAD MASKING SHALL COMPLY WITH SOP-F.002.
- (N5) 5. \longleftrightarrow INDICATES STROKE DIRECTION FOR SATIN FINISHES ONLY.
- 6. DO NOT POLISH OR SATIN THIS SURFACE.
- 7. PARTS WITH WETTED SURFACE AREA NOTED WITHIN THE ATTRIBUTES FIELD MUST MEET TOXICITY REQUIREMENTS (SEE PS-E.001 SECTION 4.0).
- 8. MASK THIS SURFACE PRIOR TO COPPERPLATE, POWDER COAT OR LACQUER.
- 9. ALTERNATE MAT'L FOR USE ON INTERNALLY FINISHED/PLATED

TOP LEVEL SKUs: [C26000] BT # R2CBI000-049.

ATTRIBUTES	
TOTAL SURFACE AREA(in ²)	439.001
PLATED SURFACE AREA(in ²)	226.195
WETTED SURFACE AREA(in ²)	N/A
WEIGHT LB. [G]	1.883 LB. [854 G.]
VOLUME(in ³)	6.582



					- RH-1139R-6		UNITS ARE: INCHES [MM] TOLERANCES ARE:		BRASSTECH 2001 CARNEGIE AVE. INCORPORATED SANTA ANA, CA 92705 (949) 417-5207		
					TESTING	-	1139B	XX39B	FRACTIONS DECIMALS ANGLES $\pm 1/64"$.X $\pm .1$ $\pm 1"$.XX $\pm .010$.XXX $\pm .005$		
					ASSEMBLY	-	NEXT ASSY	USED ON	(X.XXX) DENOTES CRITICAL DIMS. ALL THREADS ARE CRITICAL		
					PLATING	-	APPLICATION		DRAWN	R.S.	11/07/08
					POLISHING	-	REMOVE ALL BURRS AND SHARP EDGES		CHECKED	J.M.	11/07/08
					MACHINING	-	MATERIAL	SS 304	APPROVED	J.M.	11/07/08
					TOOLING FIXTURE #		FINISH	SEE NOTE 1	DWG NO.		REV
									1139R-6		B
									SCALE .125		SHEET 1 OF 2

4

3

2

1

D

D

C

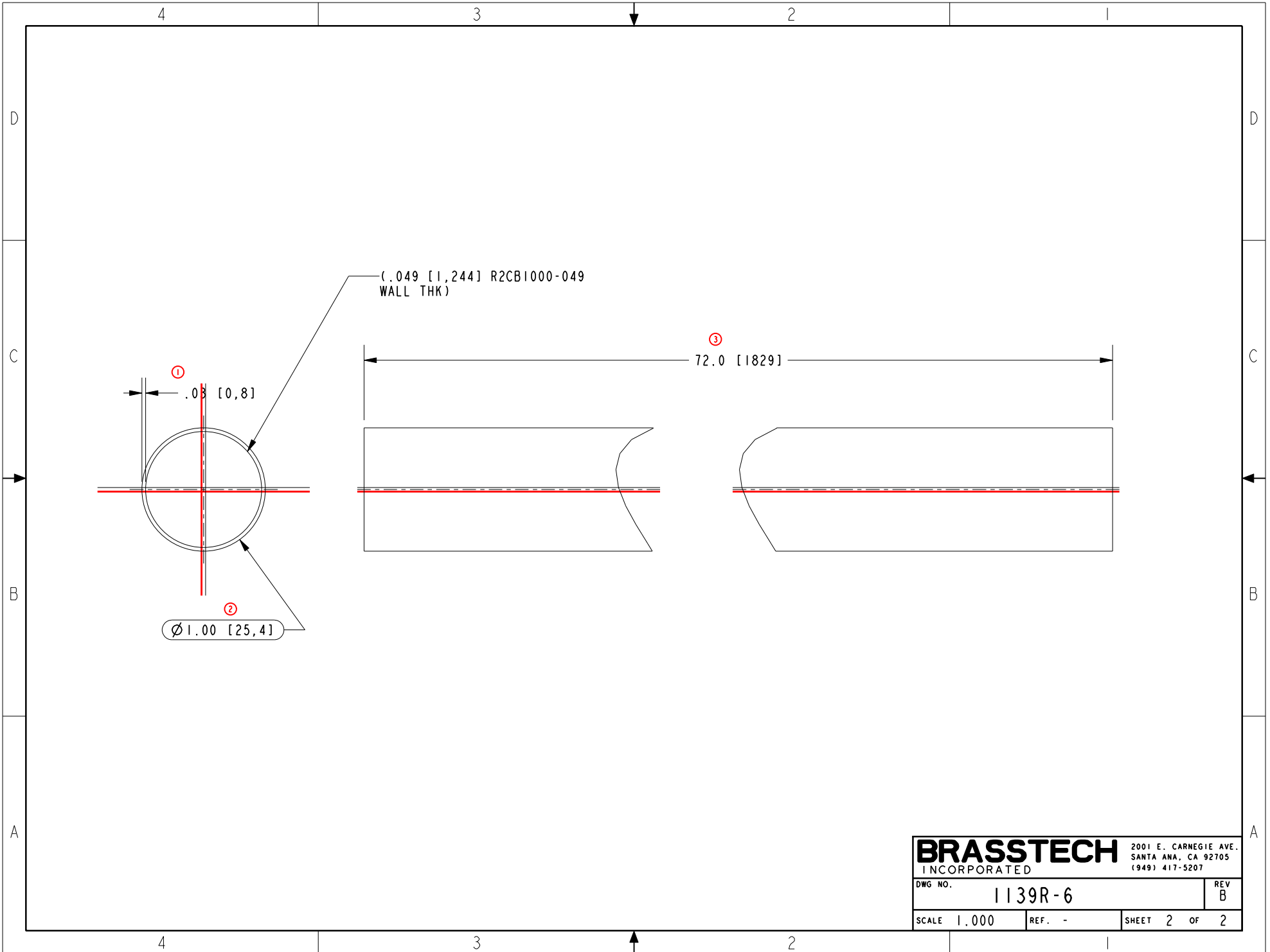
C

B

B

A

A



BRASSTECH		2001 E. CARNEGIE AVE.	
INCORPORATED		SANTA ANA, CA 92705	
		(949) 417-5207	
DWG NO.	1139R-6		REV B
SCALE 1.000	REF. -	SHEET 2 OF 2	