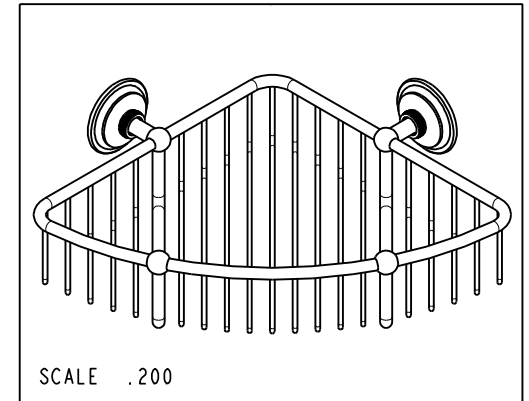
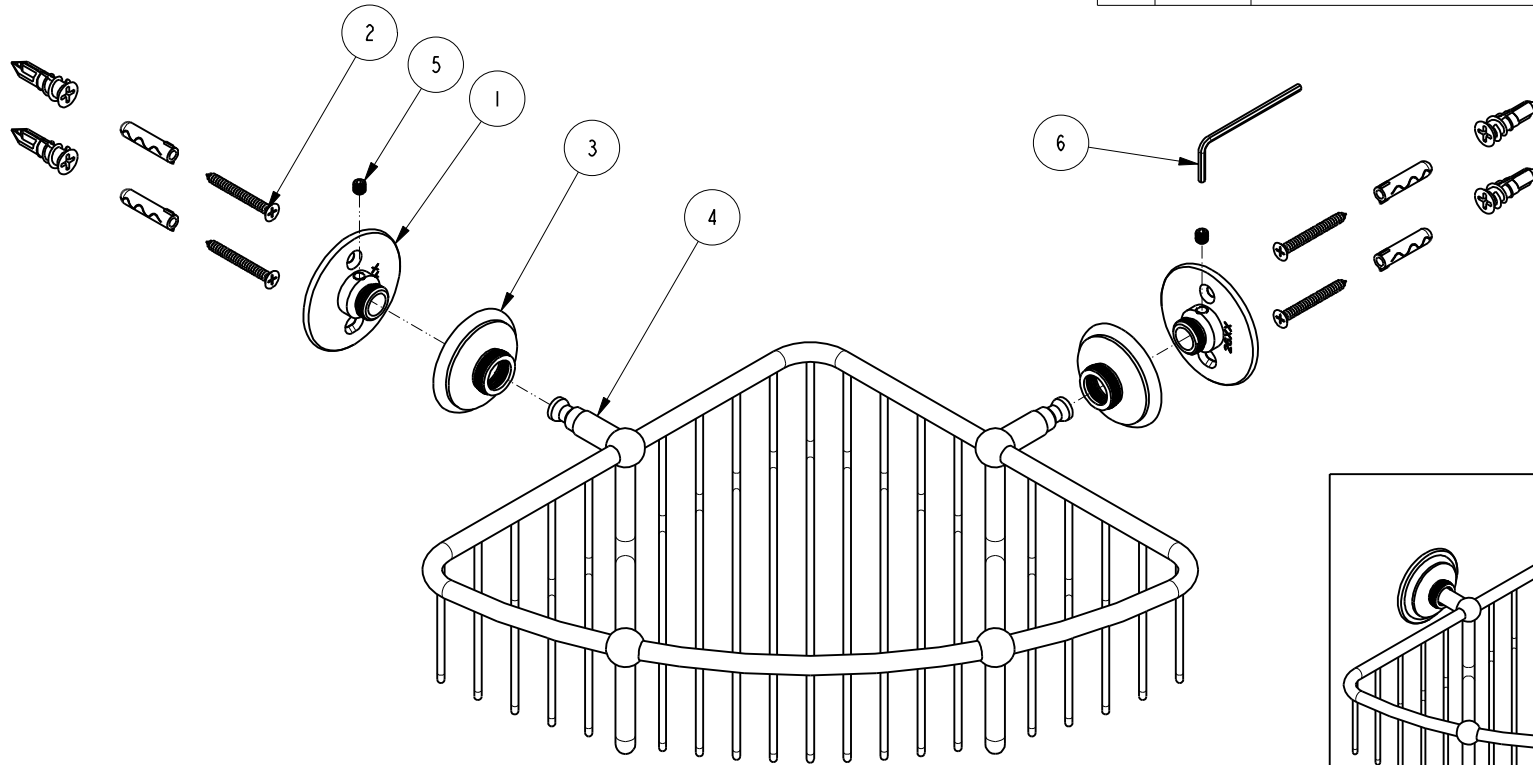


NOTES:

1. TO INSPECT ASSEMBLY, FOLLOW FIRST ARTICLE AND IN PROCESS INSPECTION SHEET.

BILL OF MATERIAL (CURRENT LEVEL)

ITEM	PT/ASSY	DESCRIPTION	TYPE	QTY.
1	26XX	MOUNTING FLANGE	PART	2
2	1-206	HARDWARE PACK	ASSEMBLY	2
3	40805	ROSETTE	PART	2
4	80781	9" CORNER BASKET	PART	1
5	92308	SCRW, M5 X 5 SKT HD CUP PT W/ SELF LOC SS	PART	2
6	10888	HEX KEY, 2.5MM ALLOY STEEL	PART	1



COPYRIGHT 2005 BRASSTECH, INC. THESE DRAWINGS AND THE DESIGNS DEPICTED HEREIN ARE THE PROPRIETARY PROPERTY OF BRASSTECH. ANY USE OR REPRODUCTION IS SUBJECT TO THE EXPRESS APPROVAL OF BRASSTECH. UNAUTHORIZED USE IS STRICTLY PROHIBITED. ALL RIGHTS RESERVED.

TESTING	-	-	-
ASSEMBLY	-	-	-
PLATING	-	-	-
POLISHING	-	NEXT ASSY	USED ON
MACHINING	-	APPLICATION	
TOOLING FIXTURE #	REMOVE ALL BURRS AND SHARP EDGES		

UNITS ARE: INCHES [MM]
TOLERANCES ARE:
FRACTIONS DECIMALS ANGLES
±1/16" .X ±.1 [2.5] ±°
.XX ±.06 [1.5]

(X.XXX) DENOTES CRITICAL DIMS.
ALL THREADS ARE CRITICAL

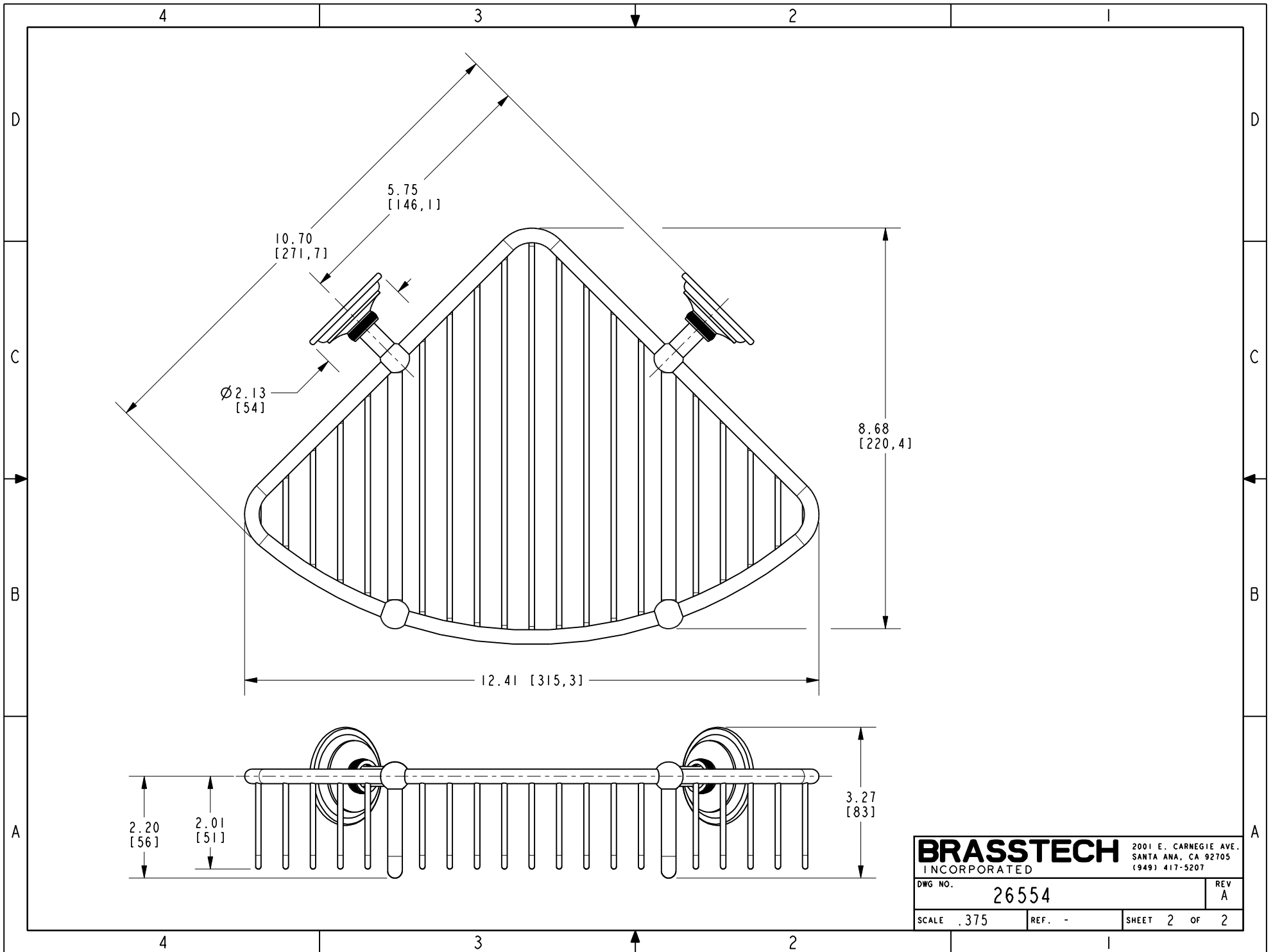
DRAWN JINSON 12/01/21
CHECKED R.S. 12/01/21
APPROVED R.S. 12/01/21

BRASSTECH 2001 CARNEGIE AVE.
INCORPORATED SANTA ANA, CA 92705
(949) 417-5207

9" CORNER BASKET

-	A	EN-4418	12/01/21	R.S.
ZONE	REV	DESCRIPTION	DATE	APPROVED

DWG NO.	26554	REV	A
SCALE	.325	REF.	-
SHEET	1	OF	2



BRASSTECH		2001 E. CARNEGIE AVE. SANTA ANA, CA 92705 (949) 417-5207	
DWG NO.	26554	REV	A
SCALE	.375	REF.	-
SHEET 2		OF 2	