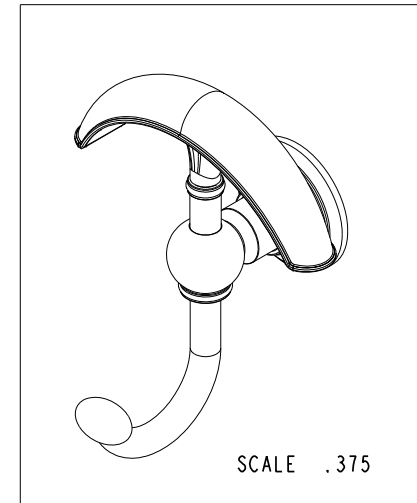
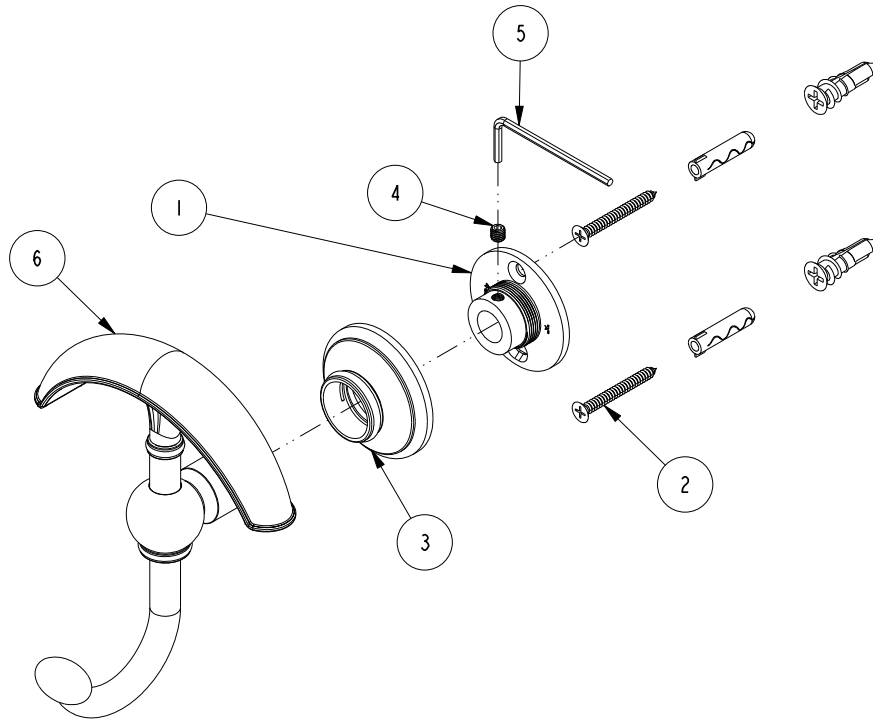


NOTES:

1. TO INSPECT ASSEMBLY, FOLLOW FIRST ARTICLE AND IN PROCESS INSPECTION SHEET.

BILL OF MATERIAL (CURRENT LEVEL)

ITEM	PT/ASSY	DESCRIPTION	TYPE	QTY.
1	45XX	MOUNTING FLANGE	PART	1
2	1-206	HARDWARE PACK	ASSEMBLY	1
3	40460	ROSETTE	PART	1
4	92308	SCRW, M5 X 5 SKT HD CUP PT SS	PART	1
5	10888	HEX KEY, 2.5MM ALLOY STEEL	PART	1
6	7-705	DOUBLE ROBE HOOK - POST ASM	ASSEMBLY	1



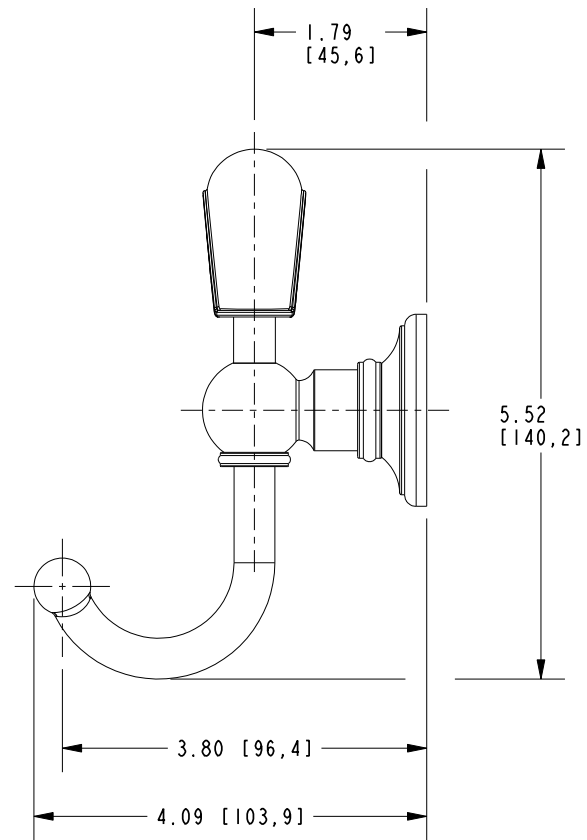
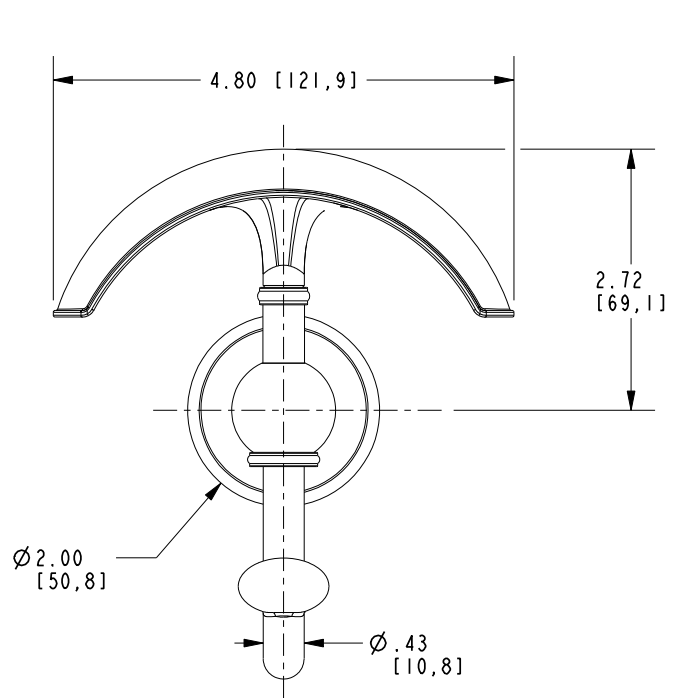
ZONE	REV	DESCRIPTION	DATE	APPROVED
-	E	EN-43001	10/25/21	R.S.
-	D	EN-4098	02/21/20	R.S.
-	C	EN-4032	11/25/19	R.S.
-	B	-	06/27/07	-
-	A	-	10/31/06	-

COPYRIGHT 2005 BRASSTECH, INC. THESE DRAWINGS AND THE DESIGNS DEPICTED HEREIN ARE THE PROPRIETARY PROPERTY OF BRASSTECH. ANY USE OR REPRODUCTION IS SUBJECT TO THE EXPRESS APPROVAL OF BRASSTECH. UNAUTHORIZED USE IS STRICTLY PROHIBITED. ALL RIGHTS RESERVED.

TESTING	-	-	-
ASSEMBLY	-	-	-
PLATING	-	-	-
POLISHING	-	NEXT ASSY	USED ON
MACHINING	-	APPLICATION	
TOOLING FIXTURE #	REMOVE ALL BURRS AND SHARP EDGES		

UNITS ARE: INCHES [MM]		
TOLERANCES ARE:		
FRACTIONS	DECIMALS	ANGLES
±1/16"	.X ±.1 [2.5]	±°
	.XX ±.06 [1.5]	
(X.XXX) DENOTES CRITICAL DIMS.		
ALL THREADS ARE CRITICAL		
DRAWN	JINSON	10/25/21
CHECKED	R.S.	10/25/21
APPROVED	R.S.	10/25/21

BRASSTECH		2001 CARNEGIE AVE. SANTA ANA, CA 92705 (949) 417-5207	
INCORPORATED		DOUBLE ROBE HOOK	
DWG NO. 4511		REV E	
SCALE .375	REF. -	SHEET 1	OF 2



BRASSTECH		2001 E. CARNEGIE AVE. SANTA ANA, CA 92705 (949) 417-5207	
DWG NO.	4511	REV	E
SCALE .500	REF. -	SHEET 2	OF 2