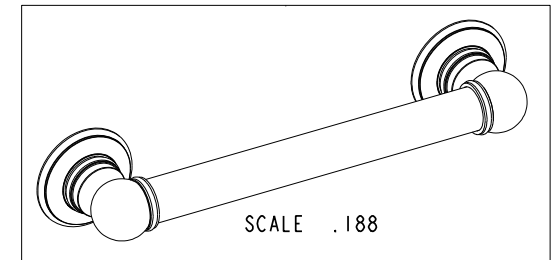
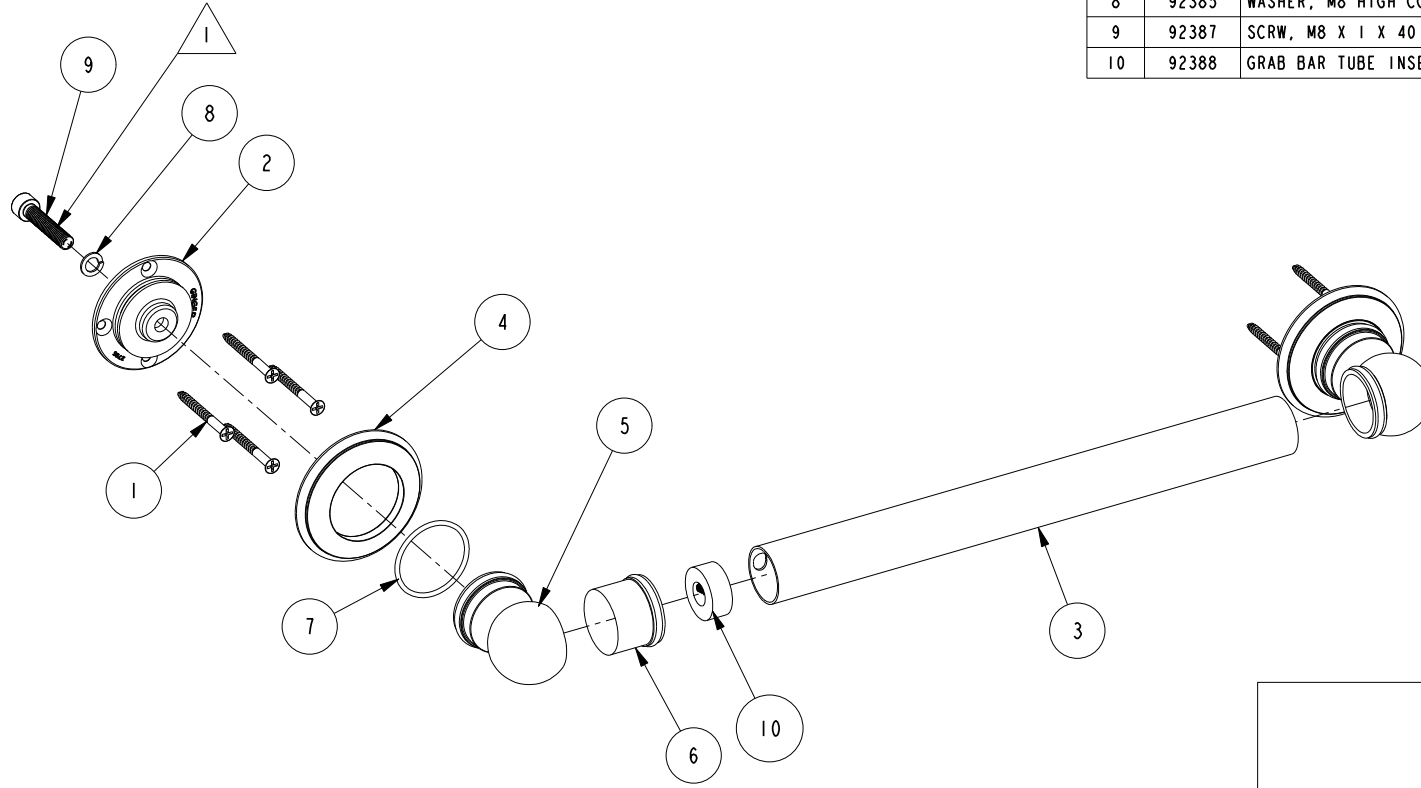


NOTES:

1. APPLY ADHESIVE LOCTITE 680 OR EQUIVALENT.

BILL OF MATERIAL (CURRENT LEVEL)

ITEM	PT/ASSY	DESCRIPTION	TYPE	QTY.
1	1-227	GRAB BAR HARDWARE PACK	ASSEMBLY	2
2	2795	ROUND MOUNTING FLANGE	PART	2
3	80534	1-1/4" GRAB BAR TUBE	PART	1
4	80548	COLUMNAR GRAB BAR TRIM RING	PART	2
5	80549	GRAB BAR END POST	PART	2
6	80550	GRAB BAR END FLANGE	PART	2
7	91496	O-RING, 2.5 X 40MM ID, EPDM, 65-75 DURO	PART	2
8	92385	WASHER, M8 HIGH COLLAR SPRING SS	PART	2
9	92387	SCRW, M8 X 1 X 40 SKT HD SS CAP	PART	2
10	92388	GRAB BAR TUBE INSERT	PART	2



COPYRIGHT 2005 GINGER. THESE DRAWINGS AND THE DESIGNS DEPICTED HEREIN ARE THE PROPRIETARY PROPERTY OF GINGER. ANY USE OR REPRODUCTION IS SUBJECT TO THE EXPRESS APPROVAL OF GINGER. UNAUTHORIZED USE IS STRICTLY PROHIBITED. ALL RIGHTS RESERVED.

GINGER

2001 E. CARNEGIE AVE.
SANTA ANNA CA 92705
(949) 417-5207

12" GRAB BAR

ASSY. NO. 4560

SCALE .250

REF. -

SHEET 1 OF 3

A

EN-1398

11/20/09

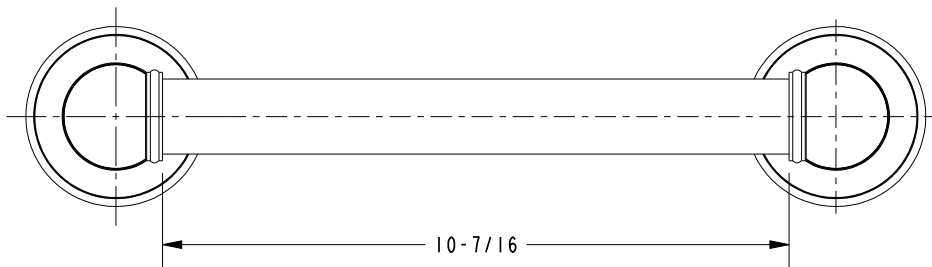
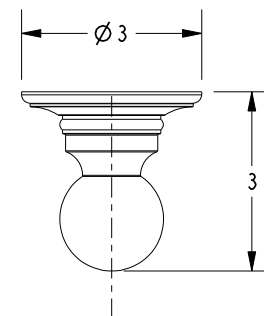
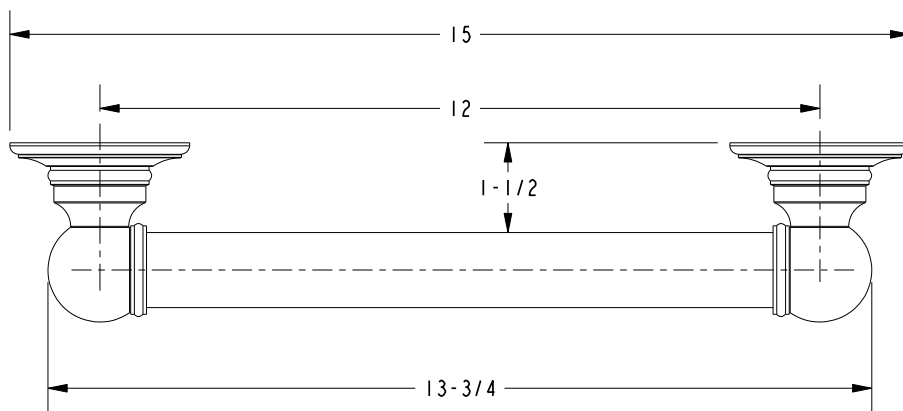
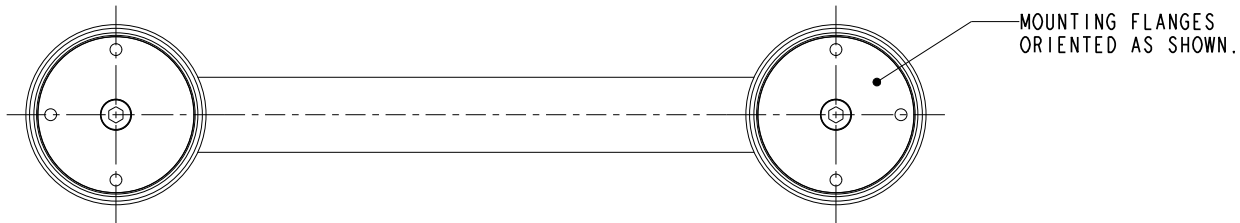
REV

REV DESC

DATE

4 3 2 1

SPECIFICATION DWG



 MEETS OR EXCEEDS ASTM F446 STANDARDS AND CONFORMS TO ADA GUIDELINES.

DIMENSIONS ARE IN INCHES AND AN APPROXIMATION OF A TYPICAL INSTALLATION

COPYRIGHT 2005 GINGER. THESE DRAWINGS AND THE DESIGNS DEPICTED HEREIN ARE THE PROPRIETARY PROPERTY OF GINGER. ANY USE OR REPRODUCTION IS SUBJECT TO THE EXPRESS APPROVAL OF GINGER. UNAUTHORIZED USE IS STRICTLY PROHIBITED. ALL RIGHTS RESERVED.

GINGER		2001 CARNEGIE AVE. SANTA ANA CA 92705 (949) 417-5207	
DWG NO.	4560	REV	A
SCALE	.313	REF.	-
SHEET		2	OF 3

4

3

2