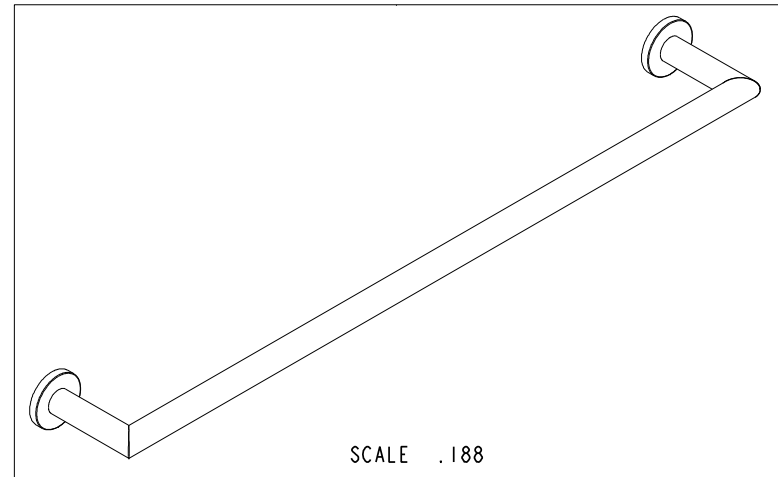
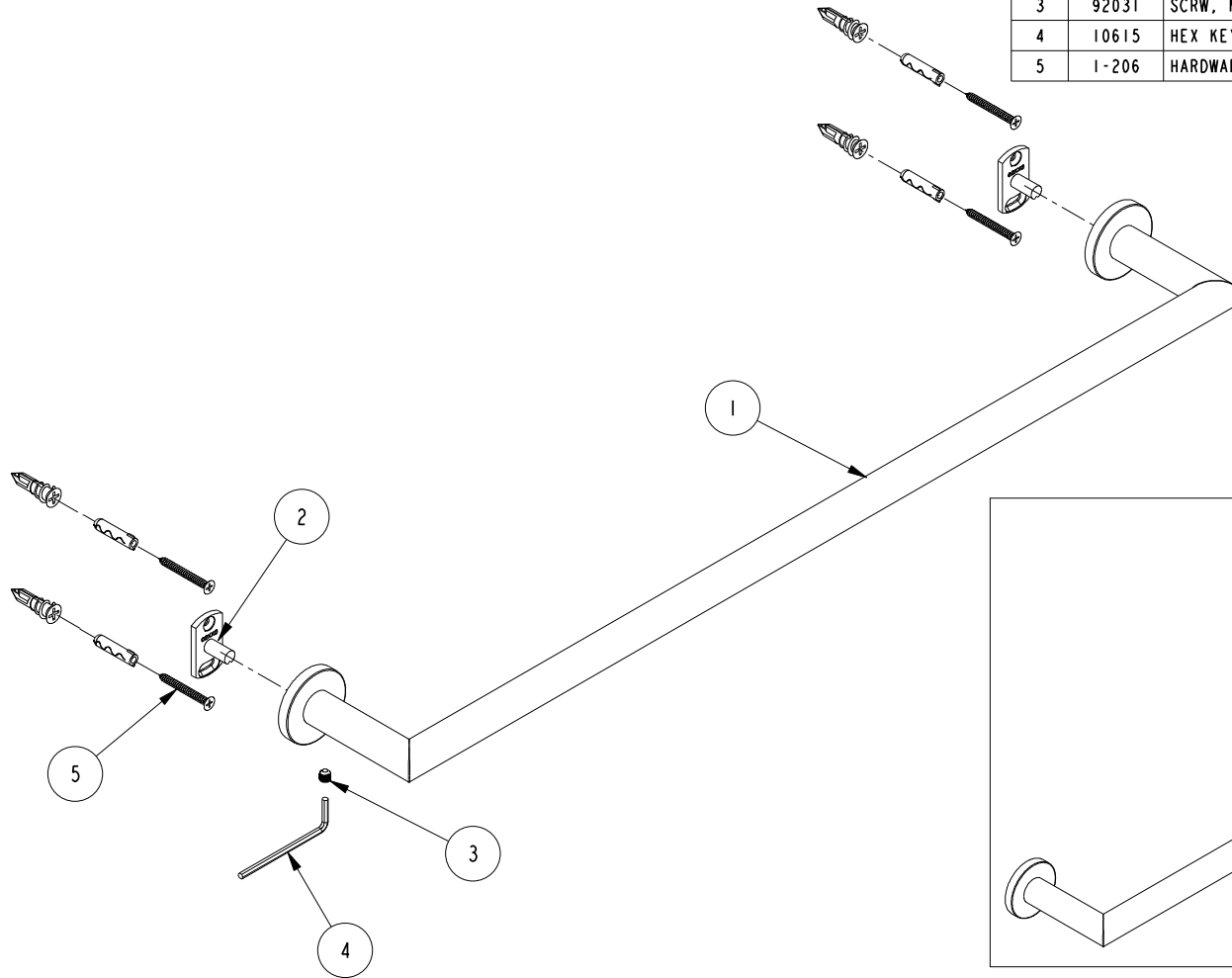


NOTES:

(N1) 1. FIT / FORM / FUNCTION SHALL FOLLOW PS-E.008.

BILL OF MATERIAL (CURRENT LEVEL)

ITEM	PT/ASSY	DESCRIPTION	TYPE	QTY.
1	7-679	INSERT AND TOWEL BAR ASSY	ASSEMBLY	1
2	02XXG	MOUNTING BRACKET	PART	2
3	92031	SCRW, M6 X 1 X 6 SKT HD CUP PT W/ SELF LOC SS	PART	2
4	10615	HEX KEY, 3MM ALLOY STEEL	PART	1
5	1-206	HARDWARE PACK	ASSEMBLY	2



TESTING	-	-	-
ASSEMBLY	-	-	-
PLATING	-	-	-
POLISHING	-	NEXT ASSY	USED ON
MACHINING	-	APPLICATION	
TOOLING FIXTURE #	REMOVE ALL BURRS AND SHARP EDGES		

UNITS ARE: INCHES [MM]
 TOLERANCES ARE:
 FRACTIONS DECIMALS ANGLES
 $\pm 1/16"$.X $\pm .1$ [2,5] $\pm 1^\circ$
 .XX $\pm .06$ [1,5]

(X.XXX) DENOTES CRITICAL DIMS.
 ALL THREADS ARE CRITICAL

DRAWN	R.S.	11/10/10
CHECKED	J.M.	11/10/10
APPROVED	J.M.	11/10/10

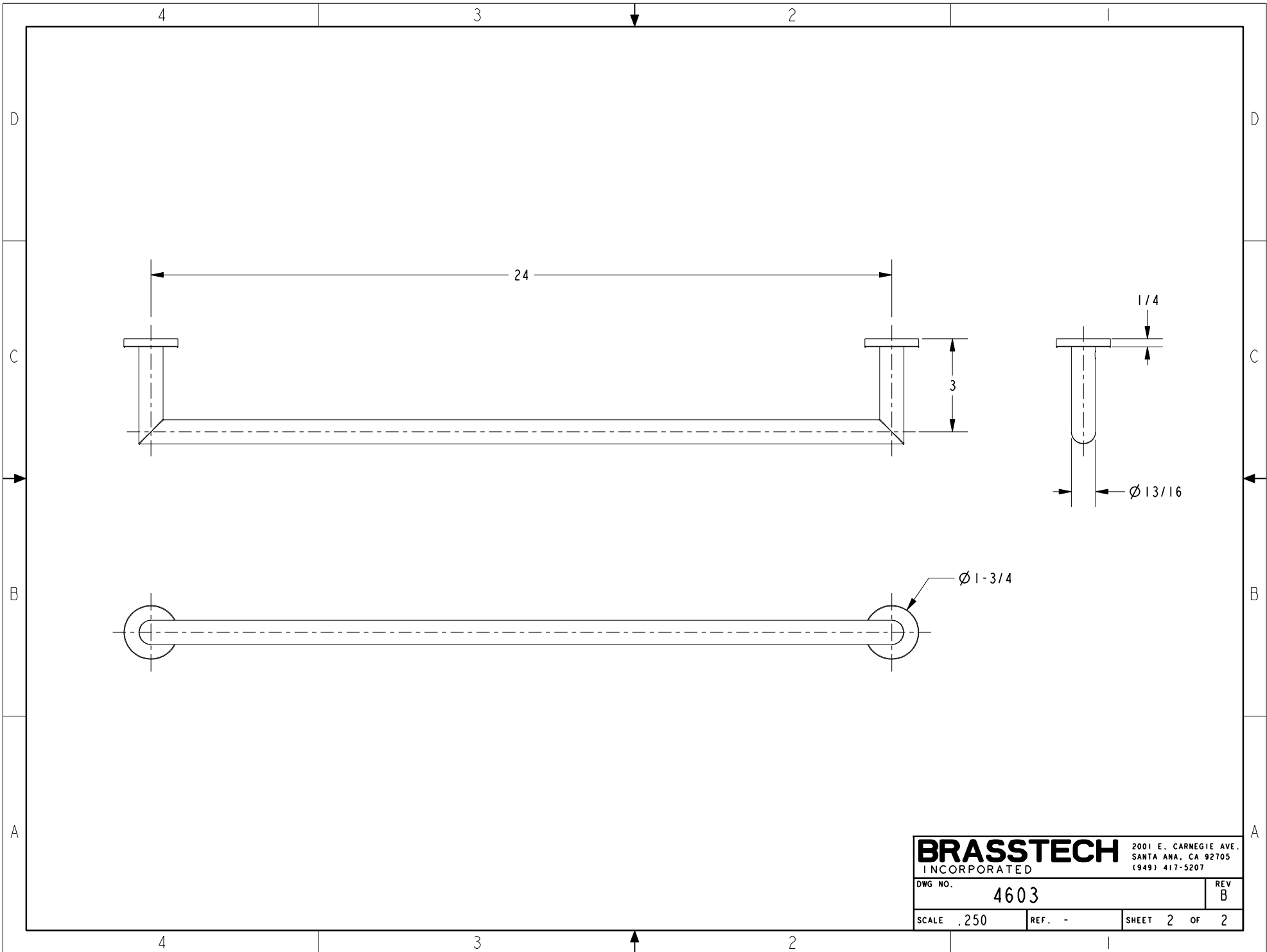
BRASSTECH
 INCORPORATED

2001 CARNEGIE AVE.
 SANTA ANA, CA 92705
 (949) 417-5207

SINGLE TOWEL BAR - 24"

DWG NO.	4603	REV	B
SCALE	.250	REF.	-
SHEET	1	OF	2

-	B	EN-4150	03/31/20	R.S.	COPYRIGHT 2005 BRASSTECH, INC. THESE DRAWINGS AND THE DESIGNS DEPICTED HEREIN ARE THE PROPRIETARY PROPERTY OF BRASSTECH. ANY USE OR REPRODUCTION IS SUBJECT TO THE EXPRESS APPROVAL OF BRASSTECH. UNAUTHORIZED USE IS STRICTLY PROHIBITED. ALL RIGHTS RESERVED.
-	A	EN-4032	12/02/19	R.S.	
-	-	EN-0995-1	11/10/10	J.M.	
ZONE	REV	DESCRIPTION	DATE	APPROVED	



BRASSTECH		2001 E. CARNEGIE AVE. SANTA ANA, CA 92705 (949) 417-5207	
DWG NO.	4603	REV	B
SCALE	.250	REF.	-
		SHEET	2 OF 2