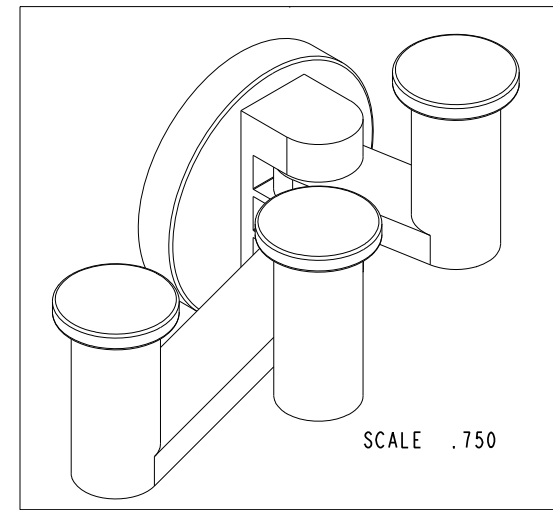
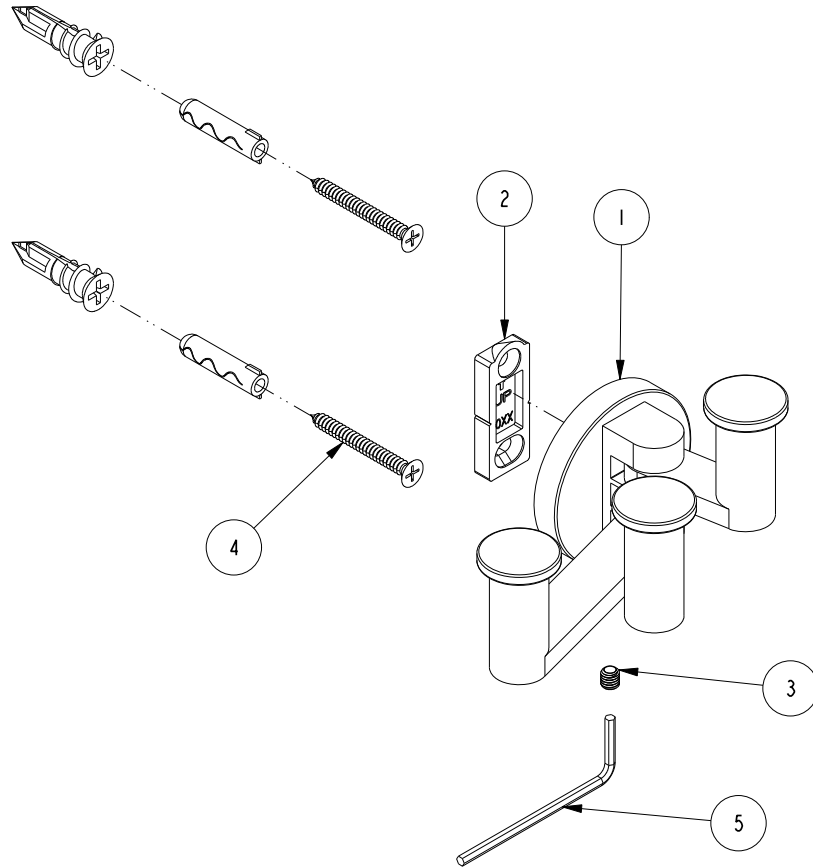


NOTES:

1. TO INSPECT ASSEMBLY, FOLLOW FIRST ARTICLE AND IN PROCESS INSPECTION SHEET.

**BILL OF MATERIAL (CURRENT LEVEL)**

ITEM	PT/ASSY	DESCRIPTION	TYPE	QTY.
1	7-671	TRIPLE SWIVELING HOOK AND BASE ASM	ASSEMBLY	1
2	30XX	MOUNTING BRACKET - SHORT	PART	1
3	92308	SCRW, M5 X 5 SKT HD CUP PT SS	PART	1
4	1-206	HARDWARE PACK	ASSEMBLY	1
5	10888	HEX KEY, 2.5MM ALLOY STEEL	PART	1



ZONE	REV	DESCRIPTION	DATE	APPROVED
-	C	EN-43001	10/25/21	R.S.
-	B	EN-4150	03/31/20	R.S.
-	A	EN-4032	12/02/19	R.S.
-	-	EN-0995-1	11/10/10	J.M.

COPYRIGHT 2005 BRASSTECH, INC. THESE DRAWINGS AND THE DESIGNS DEPICTED HEREIN ARE THE PROPRIETARY PROPERTY OF BRASSTECH. ANY USE OR REPRODUCTION IS SUBJECT TO THE EXPRESS APPROVAL OF BRASSTECH. UNAUTHORIZED USE IS STRICTLY PROHIBITED. ALL RIGHTS RESERVED.

TESTING	-	-	-
ASSEMBLY	-	-	-
PLATING	-	-	-
POLISHING	-	NEXT ASSY	USED ON
MACHINING	-	APPLICATION	
TOOLING FIXTURE #	REMOVE ALL BURRS AND SHARP EDGES		

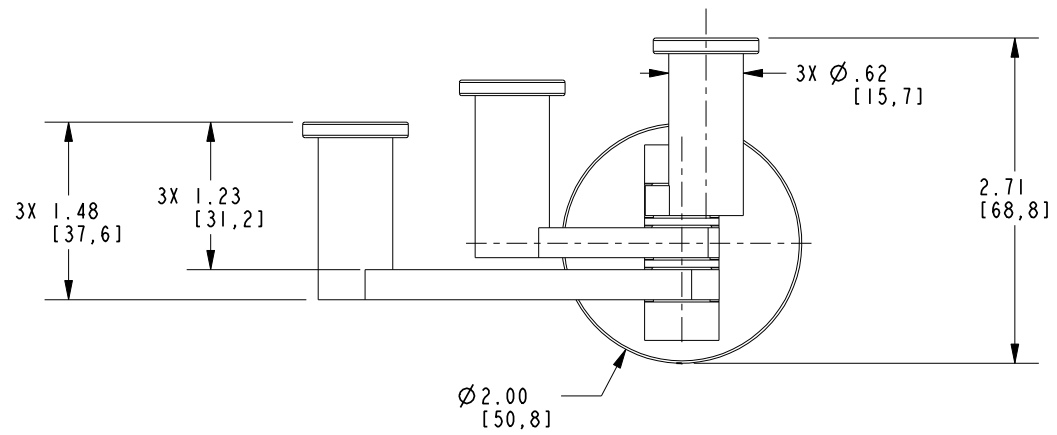
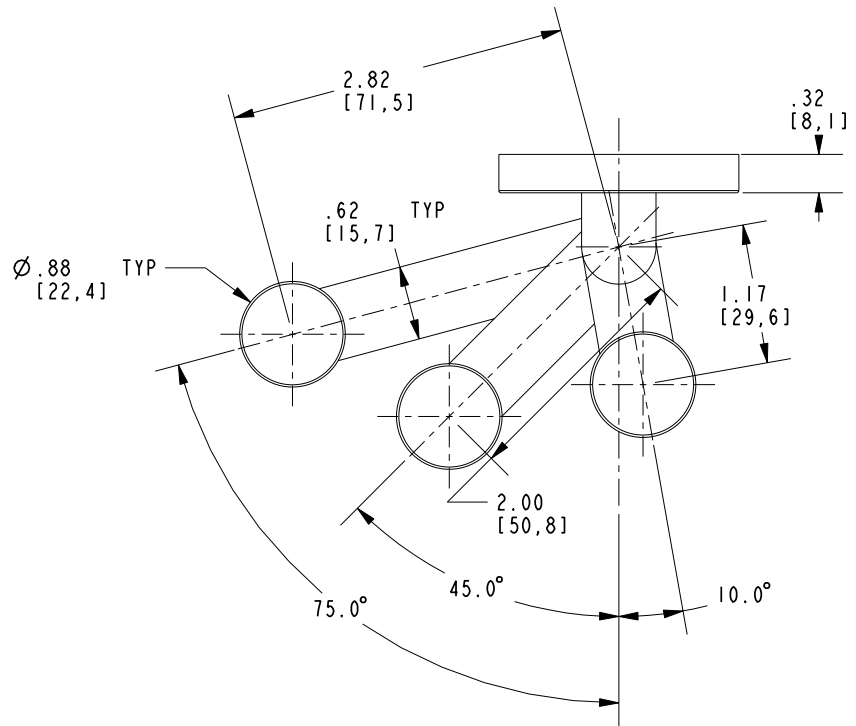
UNITS ARE: INCHES [MM]			
TOLERANCES ARE:			
FRACTIONS	DECIMALS	ANGLES	
±1/16"	.X ±.1 [2.5]	±°	
	.XX ±.06 [1.5]		
(X.XXX) DENOTES CRITICAL DIMS. ALL THREADS ARE CRITICAL			
DRAWN	JINSON	10/25/21	
CHECKED	R.S.	10/25/21	
APPROVED	R.S.	10/25/21	

**BRASSTECH** 2001 CARNEGIE AVE. SANTA ANA, CA 92705 (949) 417-5207  
INCORPORATED

**TRIPLE SWIVELING HOOK**

DWG NO. **4610T** REV **C**

SCALE .500 REF. - SHEET 1 OF 2



<b>BRASSTECH</b>		2001 E. CARNEGIE AVE. SANTA ANA, CA 92705 (949) 417-5207	
DWG NO.	4610T	REV	C
SCALE	.625	REF.	-
SHEET 2		OF 2	