

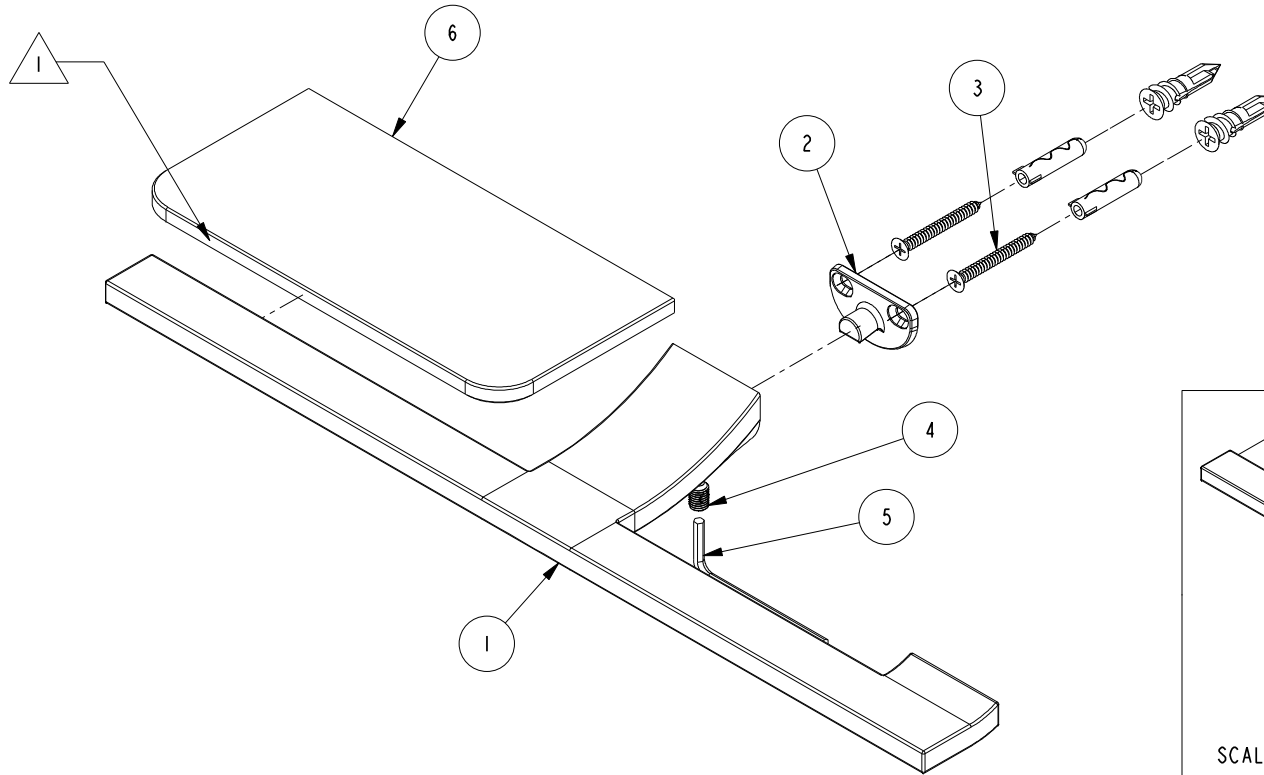
NOTES:

(N1) 1. FIT / FORM / FUNCTION SHALL FOLLOW PS-E.008.

2 APPLY DP420 EPOXY.

BILL OF MATERIAL (CURRENT LEVEL)

ITEM	PT/ASSY	DESCRIPTION	TYPE	QTY.
1	40420	TISSUE HOLDER POST W/SHELF	PART	1
2	92437	MOUNTING BRACKET	PART	1
3	1-206	HARDWARE PACK	ASSEMBLY	1
4	92495	SCRW, 1/4-28 X 3/8 SKT HD CUP PT W/ SELF LOC SS	PART	1
5	92422	HEX KEY, 1/8" ALLOY STEEL	PART	1
6	40421	SHELF GLASS	PART	1



SCALE .250

ZONE	REV	DESCRIPTION	DATE	APPROVED
-	E	EN-4150	03/31/20	R.S.
-	D	EN-4032	12/16/19	R.S.
-	C	EN-1718	04/04/11	R.S.
-	B	EN-1701	02/17/11	J.M.
-	A	EN-1294	11/09/10	J.M.

COPYRIGHT 2005 BRASSTECH, INC. THESE DRAWINGS AND THE DESIGNS DEPICTED HEREIN ARE THE PROPRIETARY PROPERTY OF BRASSTECH. ANY USE OR REPRODUCTION IS SUBJECT TO THE EXPRESS APPROVAL OF BRASSTECH. UNAUTHORIZED USE IS STRICTLY PROHIBITED. ALL RIGHTS RESERVED.

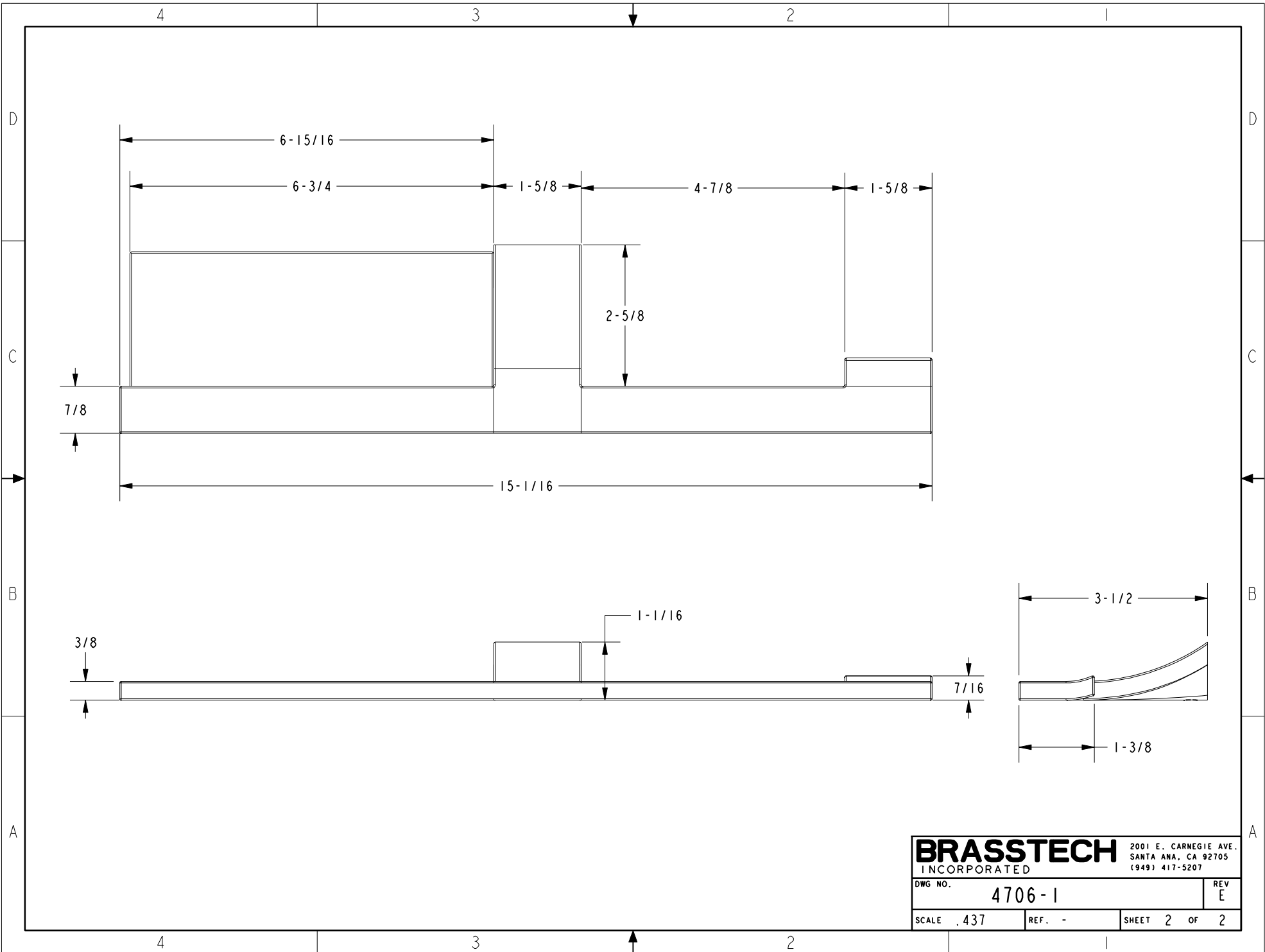
TESTING	-	-	-
ASSEMBLY	-	-	-
PLATING	-	-	-
POLISHING	-	NEXT ASSY	USED ON
MACHINING	-	APPLICATION	
TOOLING FIXTURE #	REMOVE ALL BURRS AND SHARP EDGES		

UNITS ARE: INCHES [MM]	
TOLERANCES ARE:	
FRACTIONS	DECIMALS ANGLES
±1/16"	.X ±.1 [2.5] ±1°
	.XX ±.06 [1.5]
(X.XXX) DENOTES CRITICAL DIMS.	
ALL THREADS ARE CRITICAL	
DRAWN	R.S. 11/09/10
CHECKED	J.M. 11/09/10
APPROVED	J.M. 11/09/10

BRASSTECH 2001 CARNEGIE AVE.
INCORPORATED SANTA ANA, CA 92705
(949) 417-5207

TISSUE HOLDER W/SHELF

DWG NO.	REV
4706-1	E
SCALE .400	SHEET 1 OF 2



BRASSTECH		2001 E. CARNEGIE AVE. SANTA ANA, CA 92705 (949) 417-5207	
DWG NO.	4706-1	REV	E
SCALE	.437	REF.	-
SHEET 2		OF 2	