
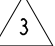
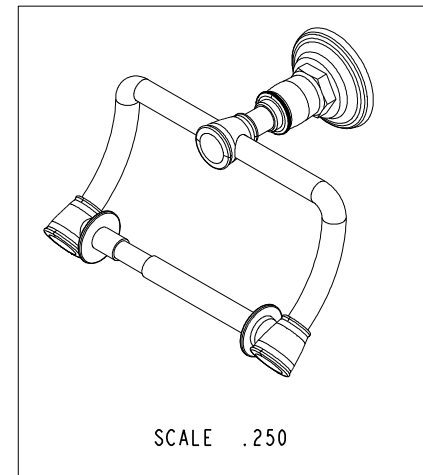
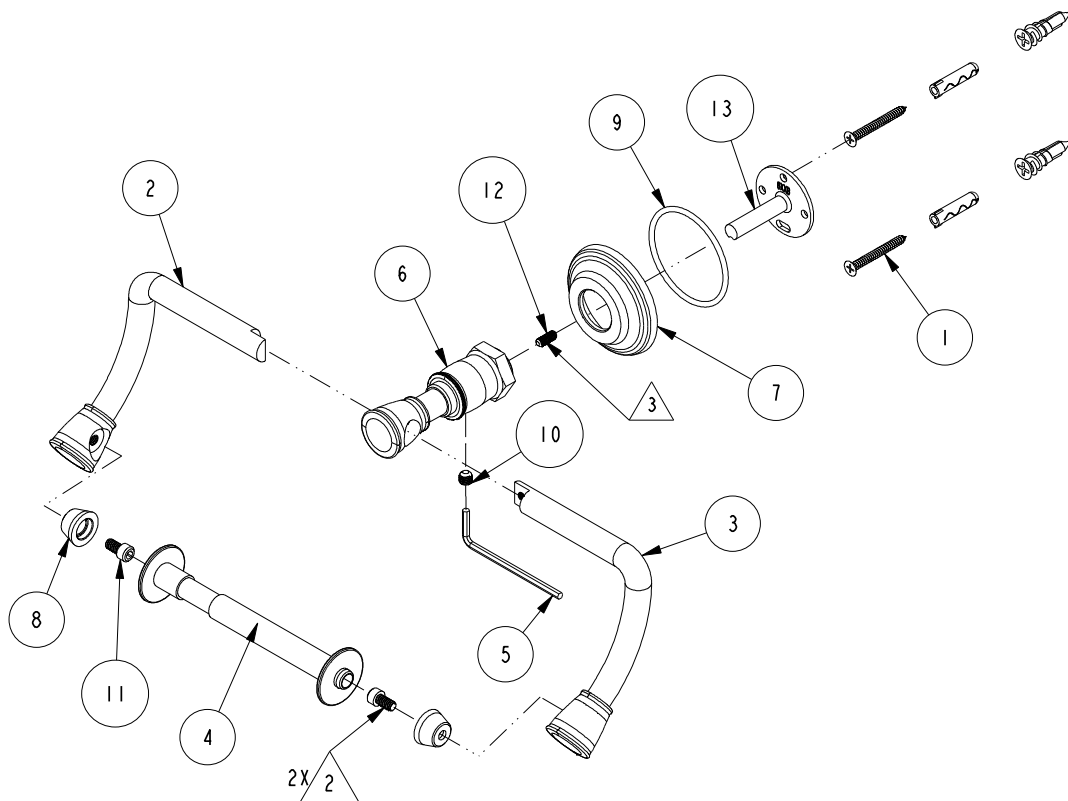


NOTES:

- (N1) 1. FIT / FORM / FUNCTION SHALL FOLLOW PS-E.008.
- (N2)  APPLY ADHESIVE LOCTITE 680 AND TIGHTEN TO 15-20 IN-LBS TORQUE
- (N3)  APPLY ADHESIVE LOCTITE 680.

BILL OF MATERIAL (CURRENT LEVEL)				
ITEM	PT/ASSY	DESCRIPTION	TYPE	QTY.
1	1-206	HARDWARE PACK	ASSEMBLY	1
2	7-713	BRAZED TISSUE HOLDER ARM	ASSEMBLY	1
3	7-718	RH BRAZED TISSUE HOLDER ARM	ASSEMBLY	1
4	7-752	TISSUE ROLLER ASM	ASSEMBLY	1
5	10615	HEX KEY, 3MM ALLOY STEEL	PART	1
6	40529	POST	PART	1
7	40553	ESCUTCHEON	PART	1
8	40579	FINIAL	PART	2
9	91756	O-RING #2-134, EP, 50 DURO - GREY	PART	1
10	92031	SCRW, M6 X 1 X 6 SKT HD CUP PT W/ SELF LOC SS	PART	1
11	92125	SCRW, 10-24 X 3/8 SKT CAP HD SS	PART	2
12	92489	SCRW, 8-32 X 7/16 SKT HD CUP PT SS	PART	1
13	6XXB	MOUNTING BRACKET	PART	1



-	F	EN-4150	03/31/20	R. S.
-	E	EN-4044	02/13/20	R. S.
-	D	EN-4032	12/02/19	R. S.
-	C	EN-3089	6/30/16	J. M.
-	B	EN-2996	01/04/16	J. M.
-	A	EN-2717	04/04/14	-
-	-	EN-2086	09/01/13	-
ZONE	REV	DESCRIPTION	DATE	APPROVED

COPYRIGHT 2005 BRASSTECH, INC. THESE DRAWINGS AND THE DESIGNS DEPICTED HEREIN ARE THE PROPRIETARY PROPERTY OF BRASSTECH. ANY USE OR REPRODUCTION IS SUBJECT TO THE EXPRESS APPROVAL OF BRASSTECH. UNAUTHORIZED USE IS STRICTLY PROHIBITED. ALL RIGHTS RESERVED.

TESTING	-	-	-
ASSEMBLY	-	-	-
PLATING	-	-	-
POLISHING	-	NEXT ASSY	USED ON
MACHINING	-	APPLICATION	
TOOLING FIXTURE #	REMOVE ALL BURRS AND SHARP EDGES		

UNITS ARE: INCHES [MM]	
TOLERANCES ARE:	
FRACTIONS	DECIMALS
±1/16"	.X ±.1 [2.5]
	.XX ±.06 [1.5]
(X.XXX) DENOTES CRITICAL DIMS.	
ALL THREADS ARE CRITICAL	
DRAWN	-
CHECKED	-
APPROVED	-

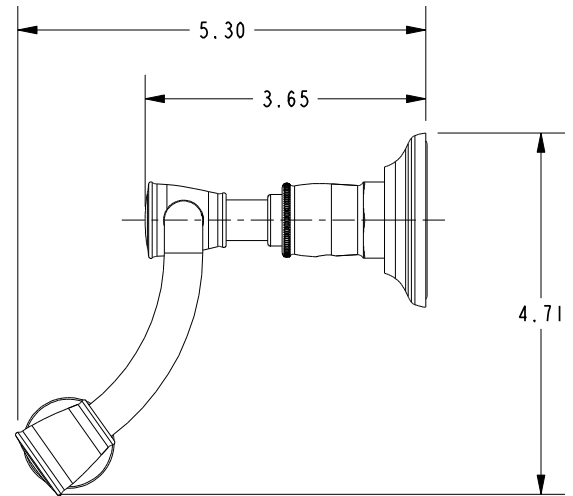
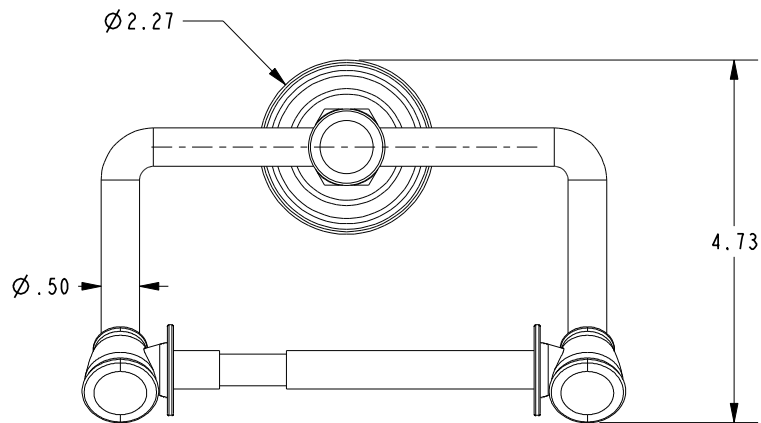
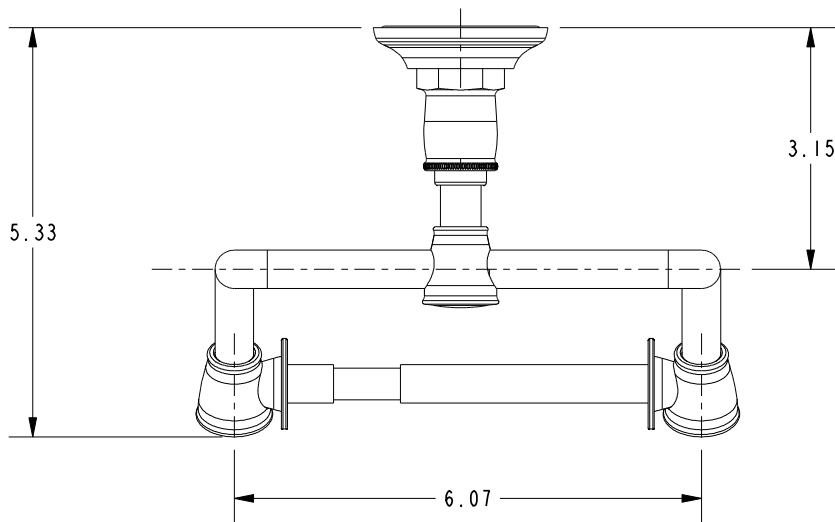
BRASSTECH 2001 CARNEGIE AVE.
SANTA ANA, CA 92705
(949) 417-5207

INCORPORATED

SINGLE POST TOILET TISSUE HOLDER

DWG NO. **4809** REV **F**

SCALE .275 REF. - SHEET 1 OF 2



BRASSTECH		2001 E. CARNEGIE AVE. SANTA ANA, CA 92705 (949) 417-5207	
DWG NO.	4809	REV	F
SCALE	.400	REF.	-
SHEET 2		OF 2	