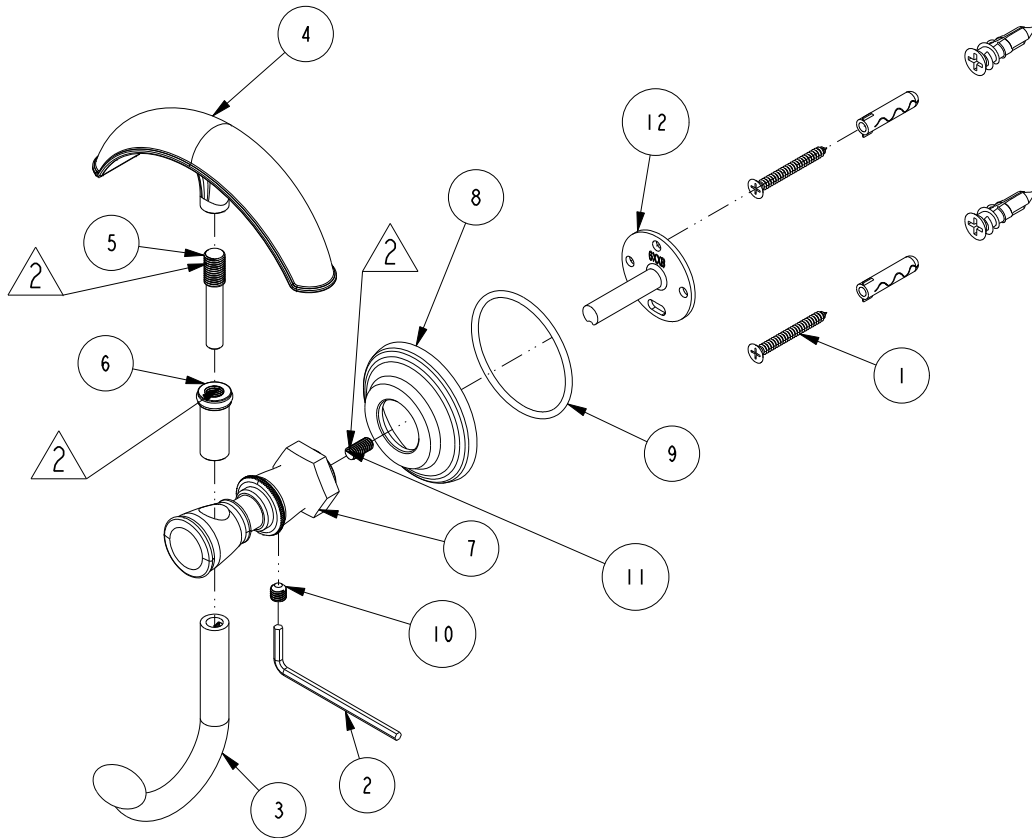


NOTES:

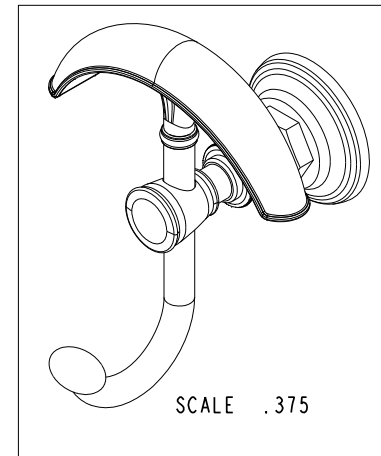
(N1) 1. TO INSPECT ASSEMBLY, FOLLOW FIRST ARTICLE AND IN PROCESS INSPECTION SHEET.

(N2) 2. APPLY ADHESIVE LOCTITE 680.



BILL OF MATERIAL (CURRENT LEVEL)

ITEM	PT/ASSY	DESCRIPTION	TYPE	QTY.
1	1-206	HARDWARE PACK	ASSEMBLY	1
2	10615	HEX KEY, 3MM ALLOY STEEL	PART	1
3	40480	HOOK ARM	PART	1
4	40481	HOOK TOP FLANGE	PART	1
5	40501	ROBE HOOK STEM	PART	1
6	40502	ROBE HOOK STEM COVER	PART	1
7	40540	POST	PART	1
8	40553	ESCUTCHEON	PART	1
9	91756	O-RING #2-134, EP, 50 DURO - GREY	PART	1
10	92031	SCRW, M6 X 1 X 6 SKT HD CUP PT SS	PART	1
11	92098	SCRW, M5 X .8 X 12M SKT HD CONE POINT SS	PART	1
12	6XXB	MOUNTING BRACKET	PART	1



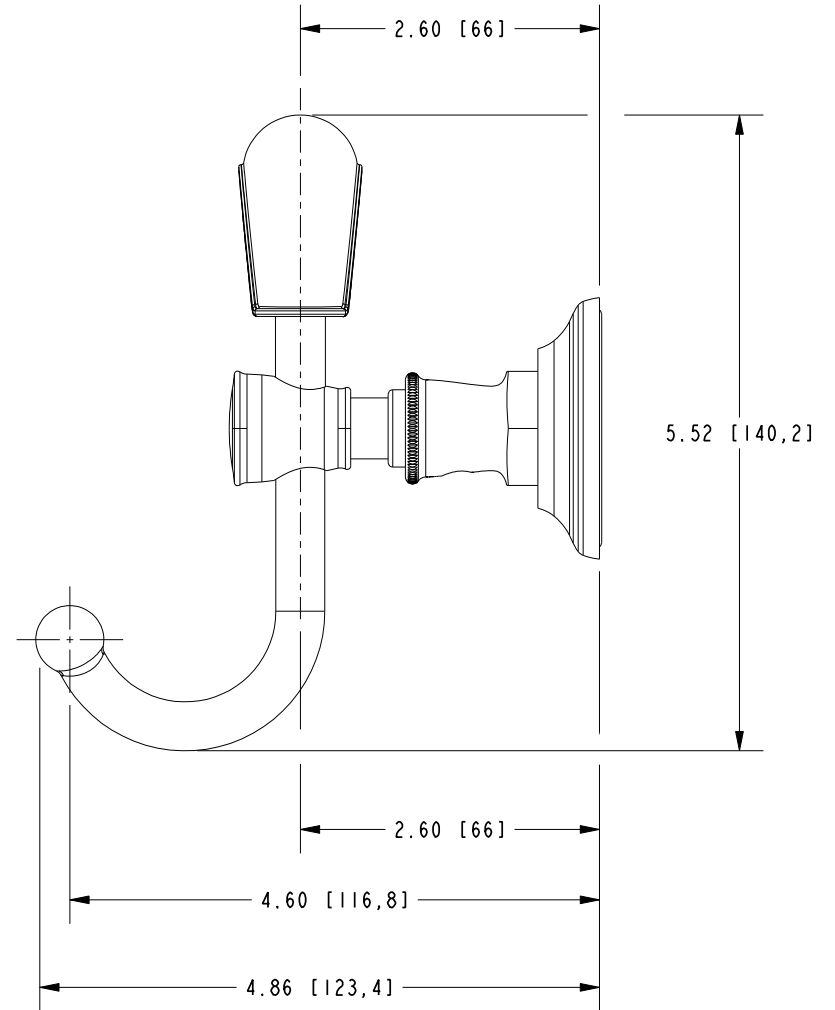
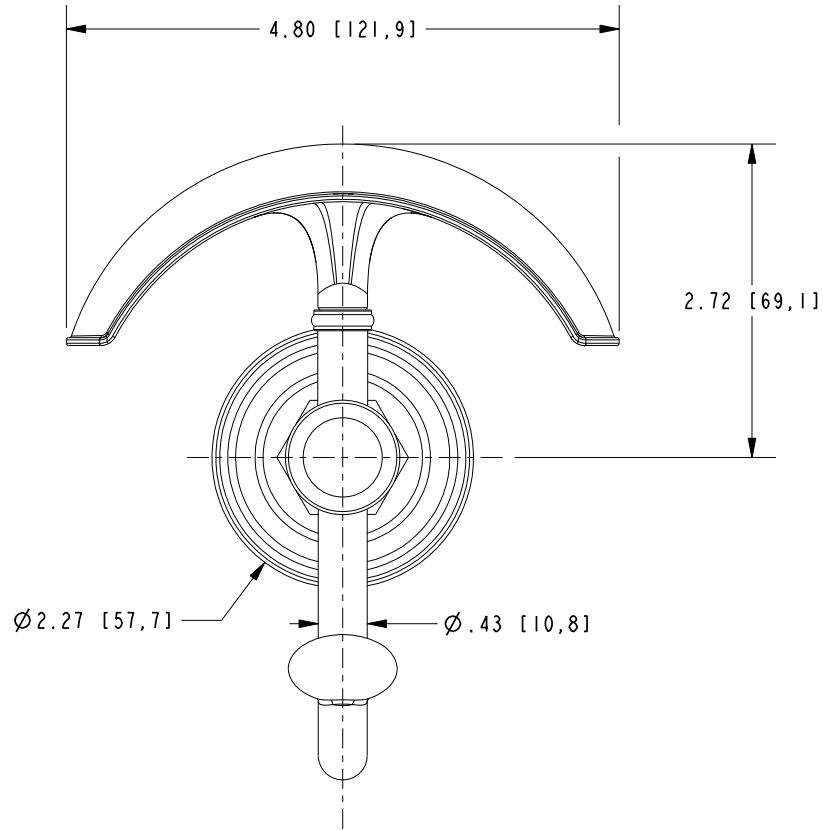
-	E	EN-4300T	06/29/22	R.S.
-	D	EN-4150	03/31/20	R.S.
-	C	EN-4032	12/02/19	R.S.
-	B	EN-2881	05/05/15	J.M.
-	A	EN-2717	03/28/14	-
-	-	EN-2086	03/17/14	-
ZONE	REV	DESCRIPTION	DATE	APPROVED

COPYRIGHT 2005 BRASSTECH, INC. THESE DRAWINGS AND THE DESIGNS DEPICTED HEREIN ARE THE PROPRIETARY PROPERTY OF BRASSTECH. ANY USE OR REPRODUCTION IS SUBJECT TO THE EXPRESS APPROVAL OF BRASSTECH. UNAUTHORIZED USE IS STRICTLY PROHIBITED. ALL RIGHTS RESERVED.

TESTING	-	-	-
ASSEMBLY	-	-	-
PLATING	-	-	-
POLISHING	-	NEXT ASSY	USED ON
MACHINING	-	APPLICATION	
TOOLING FIXTURE #	REMOVE ALL BURRS AND SHARP EDGES		

UNITS ARE: INCHES [MM]	
TOLERANCES ARE:	
FRACTIONS	DECIMALS ANGLES
±1/16"	.X ±.1 [2.5] ±°
	.XX ±.06 [1.5]
(X.XXX) DENOTES CRITICAL DIMS.	
ALL THREADS ARE CRITICAL	
DRAWN	-
CHECKED	-
APPROVED	-

BRASSTECH		2001 CARNEGIE AVE. SANTA ANA, CA 92705 (949) 417-5207	
INCORPORATED			
DOUBLE ROBE HOOK			
DWG NO.		REV	
4811		E	
SCALE	REF.	SHEET	OF
.350	-	1	2



BRASSTECH 2001 E. CARNEGIE AVE.
 INCORPORATED SANTA ANA, CA 92705
 (949) 417-5207

DWG NO. 4811 REV E

SCALE .600	REF. -	SHEET 2 OF 2
------------	--------	--------------