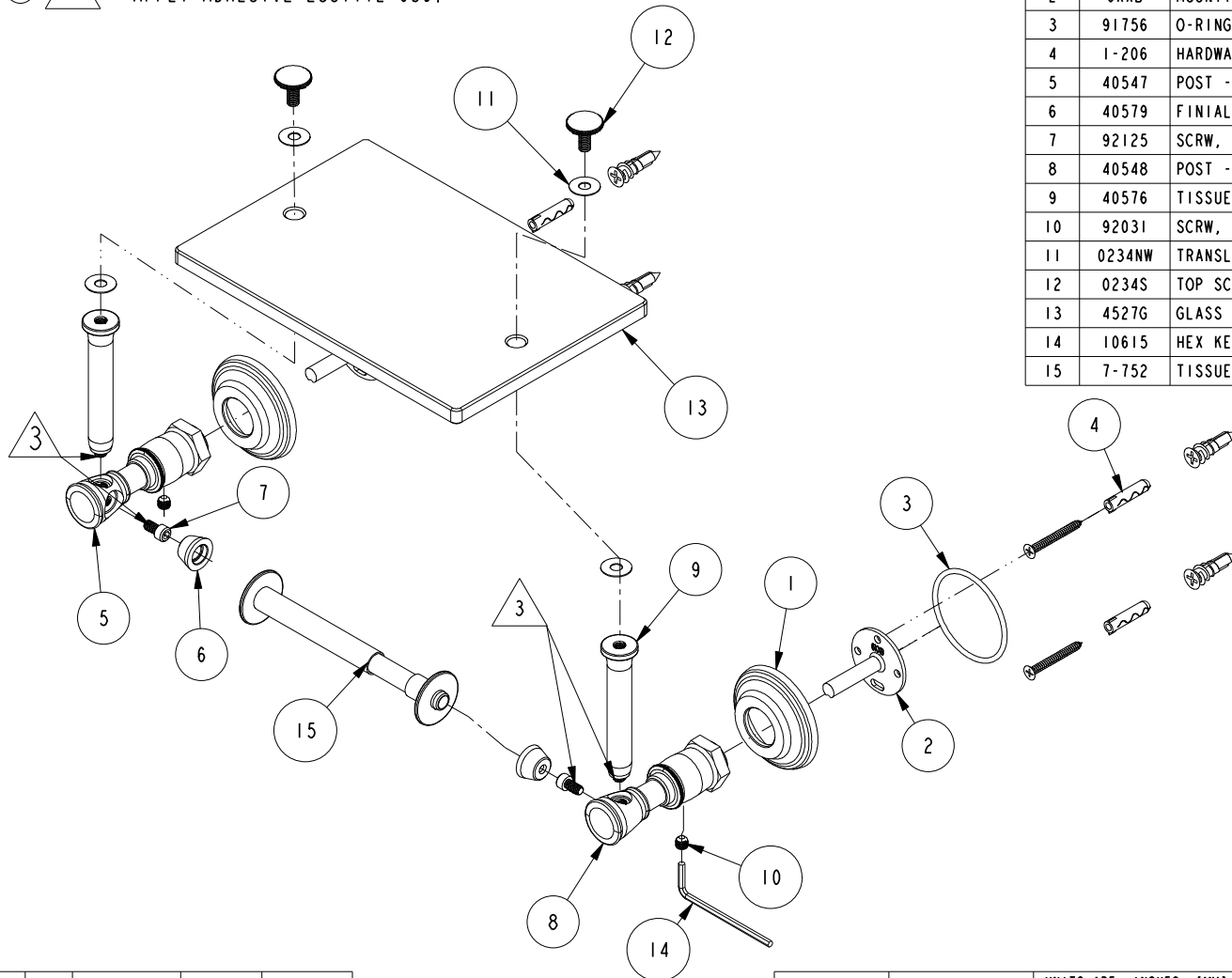


NOTES:

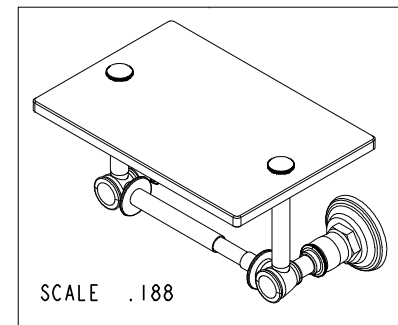
(N1) 1. FIT / FORM / FUNCTION SHALL FOLLOW PS-E.008.

(N2)  2. APPLY ADHESIVE LOCTITE 680.



BILL OF MATERIAL (CURRENT LEVEL)

ITEM	PT/ASSY	DESCRIPTION	TYPE	QTY.
1	40553	ESCUTCHEON	PART	2
2	6XXB	MOUNTING BRACKET	PART	2
3	91756	O-RING #2-134, EP, 50 DURO - GREY	PART	2
4	1-206	HARDWARE PACK	ASSEMBLY	2
5	40547	POST - LEFT	PART	1
6	40579	FINIAL	PART	2
7	92125	SCRW, 10-24 X 3/8 SKT CAP HD SS	PART	2
8	40548	POST - RIGHT	PART	1
9	40576	TISSUE FINIAL GLASS RISER	PART	2
10	92031	SCRW, M6 X 1 X 6 SKT HD CUP PT W/ SELF LOC SS	PART	2
11	0234NW	TRANSLUCENT NYLON WASHER	PART	4
12	0234S	TOP SCREW	PART	2
13	4527G	GLASS COVER	PART	1
14	10615	HEX KEY, 3MM ALLOY STEEL	PART	1
15	7-752	TISSUE ROLLER ASM	ASSEMBLY	1



ZONE	REV	DESCRIPTION	DATE	APPROVED
-	E	EN-4150	03/31/20	R. S.
-	D	EN-4044	02/13/20	R. S.
-	C	EN-4032	12/02/19	R. S.
-	B	EN-3089	06/30/16	J. M.
-	A	EN-2717	04/04/14	-
-	-	EN-2086	09/01/13	-

COPYRIGHT 2005 BRASSTECH, INC. THESE DRAWINGS AND THE DESIGNS DEPICTED HEREIN ARE THE PROPRIETARY PROPERTY OF BRASSTECH. ANY USE OR REPRODUCTION IS SUBJECT TO THE EXPRESS APPROVAL OF BRASSTECH. UNAUTHORIZED USE IS STRICTLY PROHIBITED. ALL RIGHTS RESERVED.

TESTING	-	-	-
ASSEMBLY	-	-	-
PLATING	-	-	-
POLISHING	-	NEXT ASSY	USED ON
MACHINING	-	APPLICATION	
TOOLING FIXTURE #	REMOVE ALL BURRS AND SHARP EDGES		

UNITS ARE: INCHES [MM]
 TOLERANCES ARE:
 FRACTIONS DECIMALS ANGLES
 ±1/16" .X ±.1 [2.5] ±1°
 .XX ±.06 [1.5]

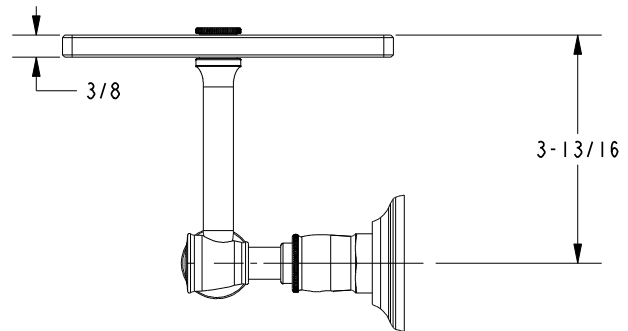
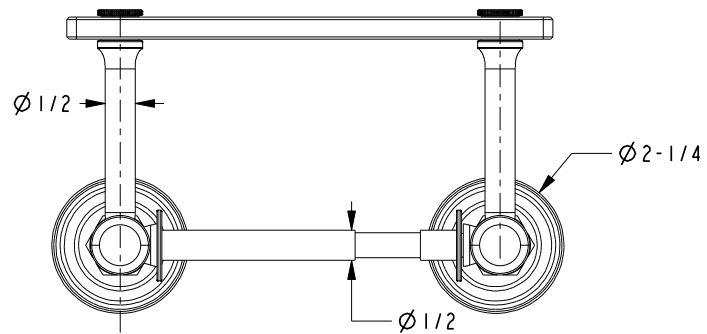
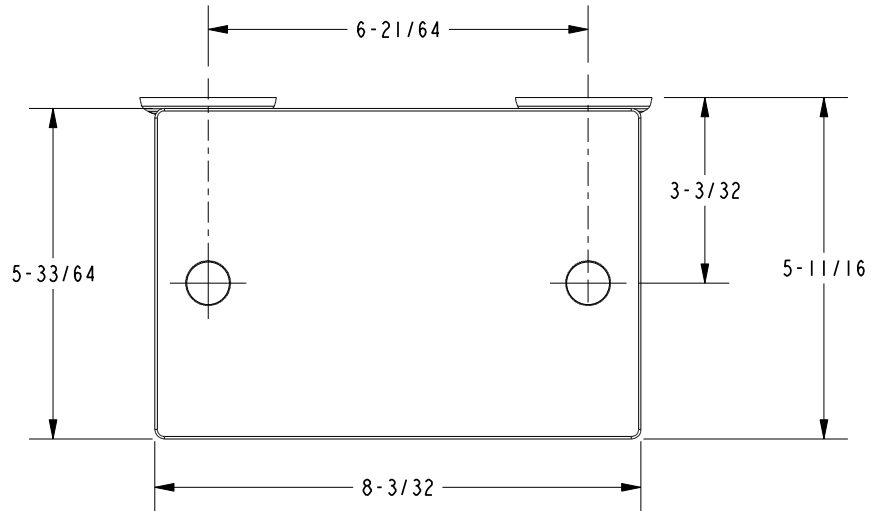
(X.XXX) DENOTES CRITICAL DIMS.
 ALL THREADS ARE CRITICAL

DRAWN	-	-
CHECKED	-	-
APPROVED	-	-

BRASSTECH 2001 CARNEGIE AVE.
 INCORPORATED SANTA ANA, CA 92705
 (949) 417-5207

TISSUE HOLDER W GLASS COVER

DWG NO.	4827	REV	E
SCALE	.275	REF.	-
SHEET	1	OF	2



BRASSTECH		2001 E. CARNEGIE AVE. SANTA ANA, CA 92705 (949) 417-5207	
DWG NO.	4827	REV	E
SCALE	.313	REF.	-
		SHEET	2 OF 2