

4

3

2

NOTES:

(N1) 1. FIT / FORM / FUNCTION SHALL FOLLOW PS-E.008.

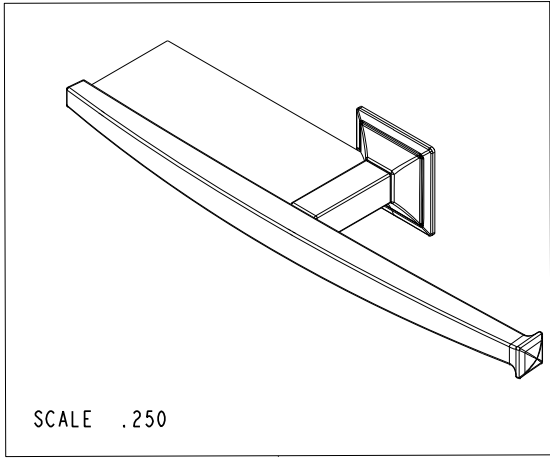
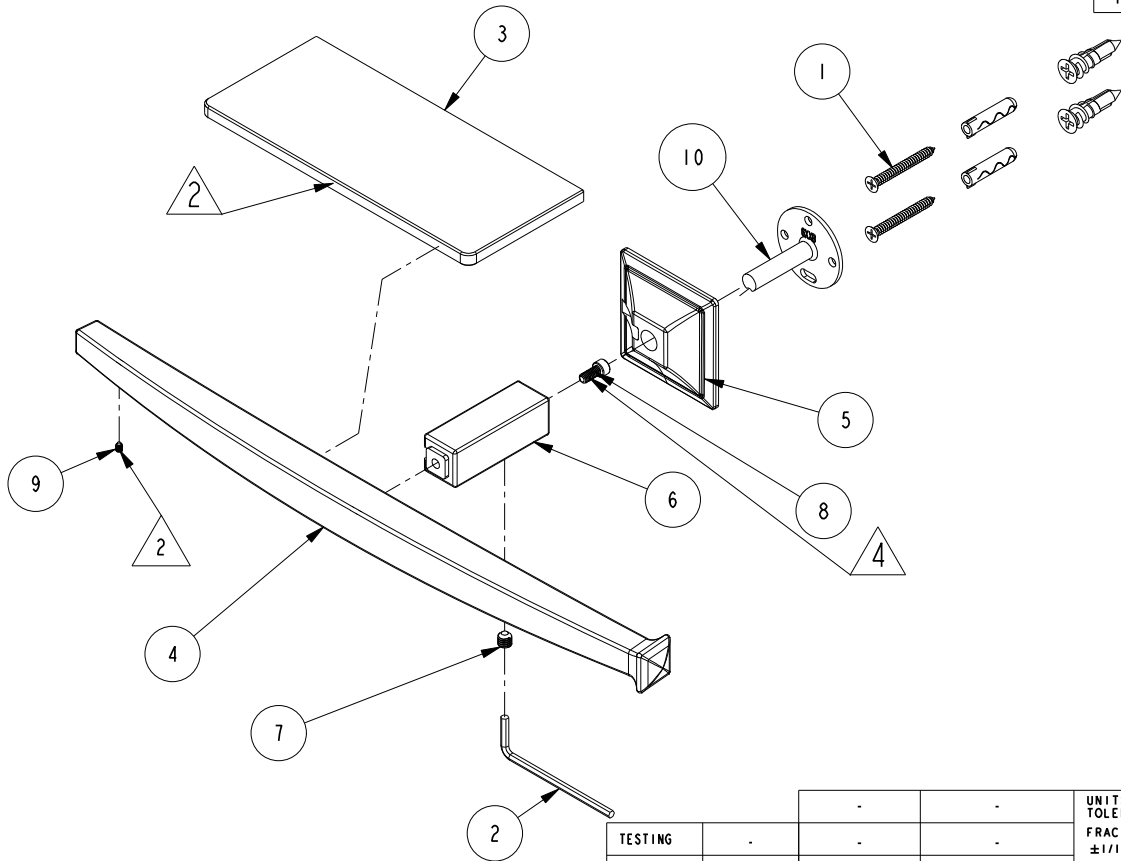
(N2) 2. APPLY DP420 EPOXY.

(N3) 3. BAG ITEMS 1 AND 2. ASSEMBLE ALL REMAINING ITEMS.

(N4) 4. APPLY LOCTITE 680.

BILL OF MATERIAL (CURRENT LEVEL)

ITEM	PT/ASSY	DESCRIPTION	TYPE	QTY.
1	I-206_47XX	HARDWARE PACK	ASSEMBLY	1
2	10615	HEX KEY, 3MM ALLOY STEEL	PART	1
3	40559	SHELF GLASS	PART	1
4	40560	TISSUE HOLDER POST W/ SHELF	PART	1
5	40561	TISSUE HOLDER ESCUTCHEON	PART	1
6	40589	TISSUE HOLDER POST	PART	1
7	92031	SCRW, M6 X 1 X 6 SKT HD CUP PT SS	PART	1
8	92527	SCRW, 8-32 X 3/8 SKT CAP HD SS	PART	1
9	92838	SCRW, 4-40 X 1/8 SKT HD CAP SS W/NYLON TIP	PART	1
10	6XXB	MOUNTING BRACKET	PART	1



-	B	EN-2996	01/04/16	J.M.	COPYRIGHT 2005 BRASSTECH, INC. THESE DRAWINGS AND THE DESIGNS DEPICTED HEREIN ARE THE PROPRIETARY PROPERTY OF BRASSTECH. ANY USE OR REPRODUCTION IS SUBJECT TO THE EXPRESS APPROVAL OF BRASSTECH. UNAUTHORIZED USE IS STRICTLY PROHIBITED. ALL RIGHTS RESERVED.
-	A	EN-2749	05/06/14	-	
-	-	EN-2087	09/20/13	-	
ZONE	REV	DESCRIPTION	DATE	APPROVED	

TESTING	-	-	-
ASSEMBLY	-	-	-
PLATING	-	-	-
POLISHING	-	NEXT ASSY	USED ON
MACHINING	-	APPLICATION	
TOOLING FIXTURE #	REMOVE ALL BURRS AND SHARP EDGES		

UNITS ARE: INCHES [MM]	-	-
TOLERANCES ARE:	-	-
FRACTIONS DECIMALS ANGLES	-	-
±1/16" .X ±.1 [2.5] ±1°	-	-
.XX ±.06 [1.5]	-	-
(X.XXX) DENOTES CRITICAL DIMS.	-	-
ALL THREADS ARE CRITICAL	-	-
DRAWN	-	-
CHECKED	-	-
APPROVED	-	-

BRASSTECH INCORPORATED
 2001 CARNEGIE AVE.
 SANTA ANA, CA 92705
 (949) 417-5207

**OPEN TOILET TISSUE HOLDER
 W/ SHELF**

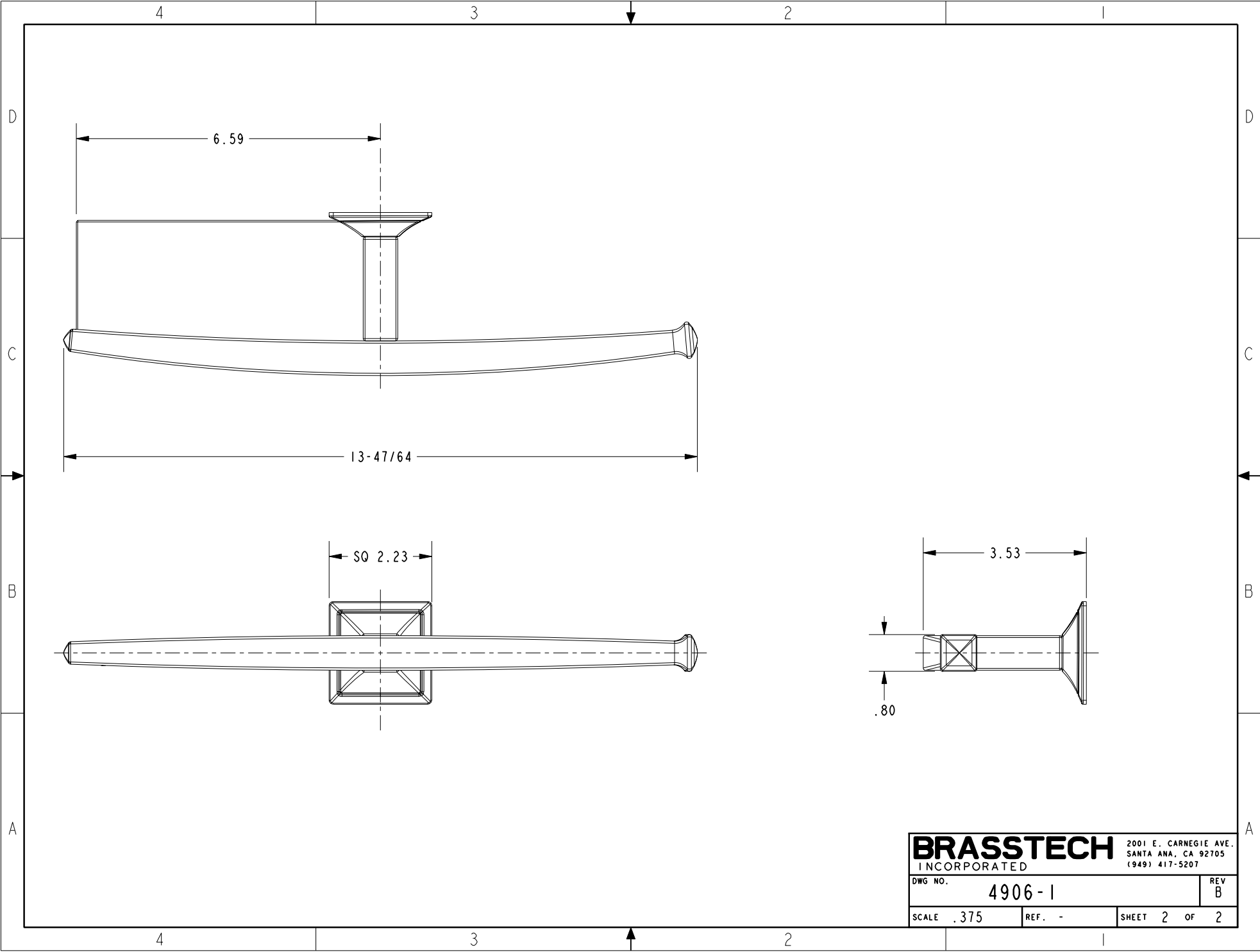
DWG NO. **4906-1** REV **B**

SCALE .312 REF. - SHEET 1 OF 2

4

3

2



BRASSTECH		2001 E. CARNEGIE AVE.	
INCORPORATED		SANTA ANA, CA 92705	
DWG NO. 4906-1		REV B	
SCALE .375	REF. -	SHEET 2 OF 2	

2001 E. CARNEGIE AVE.
SANTA ANA, CA 92705
(949) 417-5207

DWG NO. 4906-1 REV B

SCALE .375 REF. - SHEET 2 OF 2