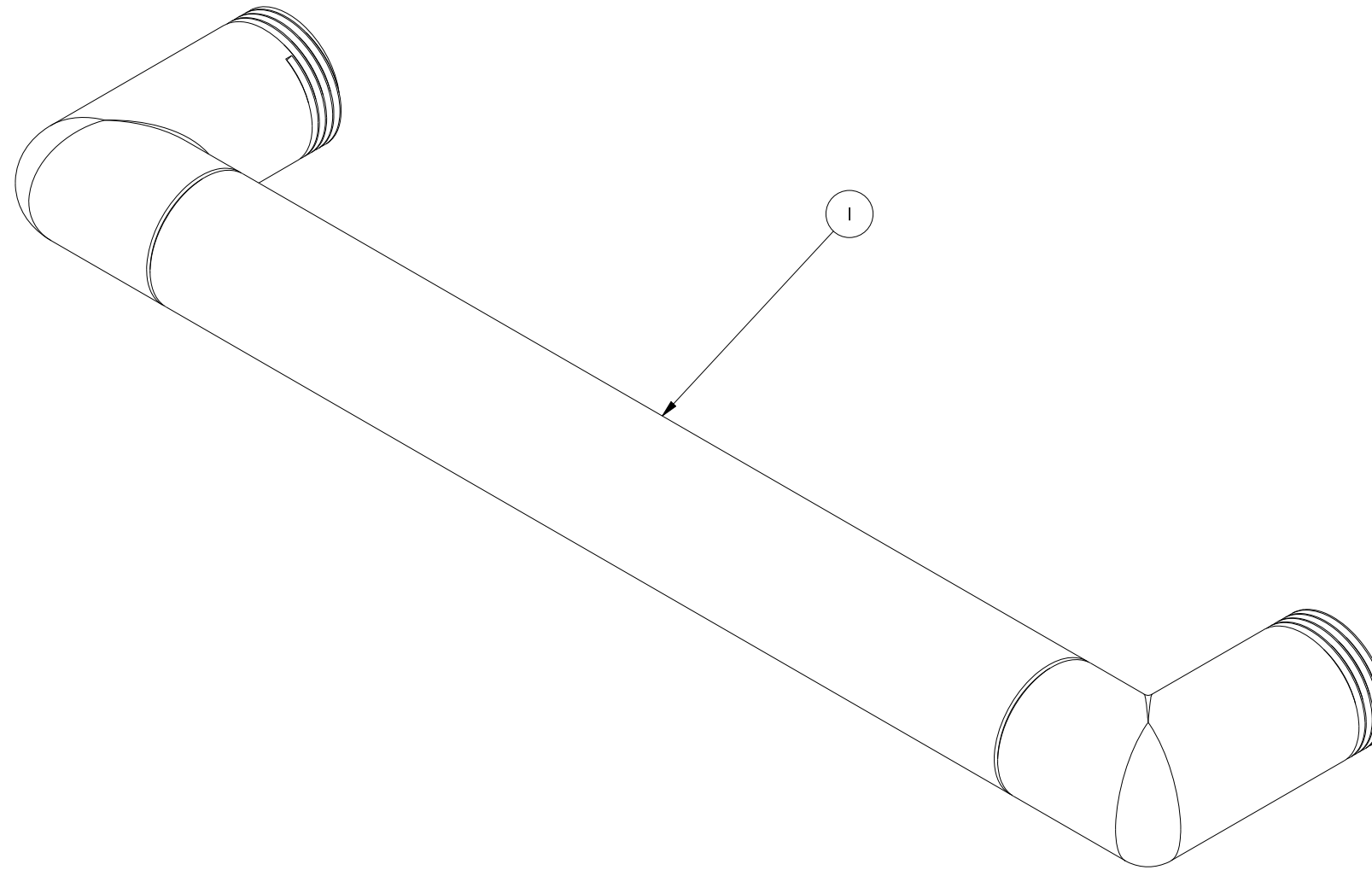


NOTES:

1. TO INSPECT ASSEMBLY, FOLLOW FIRST ARTICLE AND IN PROCESS INSPECTION SHEET.

BILL OF MATERIAL (CURRENT LEVEL)

ITEM	PT/ASSY	DESCRIPTION	TYPE	QTY.
1	5080SQ-12	12" GRAB BAR BRAZE ASM	ASSEMBLY	1



REV	DESCRIPTION	DATE	APPROVED
C	EN-4571-1	03/10/23	R.S.
B	EN-3148	09/29/16	J.M.
A	EN-2197	10/16/12	-
-	EN-2094	03/12/12	-

COPYRIGHT 2005 BRASSTECH, INC.  
 THESE DRAWINGS AND THE DESIGNS  
 DEPICTED HEREIN ARE THE PROPRIETARY  
 PROPERTY OF BRASSTECH. ANY USE  
 OR REPRODUCTION IS SUBJECT TO  
 THE EXPRESS APPROVAL OF BRASSTECH.  
 UNAUTHORIZED USE IS STRICTLY  
 PROHIBITED. ALL RIGHTS RESERVED.

-	-	UNITS ARE: INCHES [MM]	
-	-	TOLERANCES ARE:	
-	-	FRACTIONS DECIMALS ANGLES	
-	-	±1/16" .x ±.1 [2.5]	±1°
-	-	.xx ±.06 [1.5]	
-	-	X.XXX DENOTES CRITICAL DIMS. ALL THREADS ARE CRITICAL	
NEXT ASSY	USED ON	DRAWN	R.S. 03/10/23
APPLICATION		CHECKED	J.M. 03/10/23
REMOVE ALL BURRS AND SHARP EDGES		APPROVED	J.M. 03/10/23

**BRASSTECH** 2001 CARNEGIE AVE.  
 INCORPORATED SANTA ANA, CA 92705  
 (949) 417-5207

12" GRAB BAR BRAZE ASM

DWG NO. 5080SQ

SCALE 0.750 REF. - SHEET 1 OF 2

