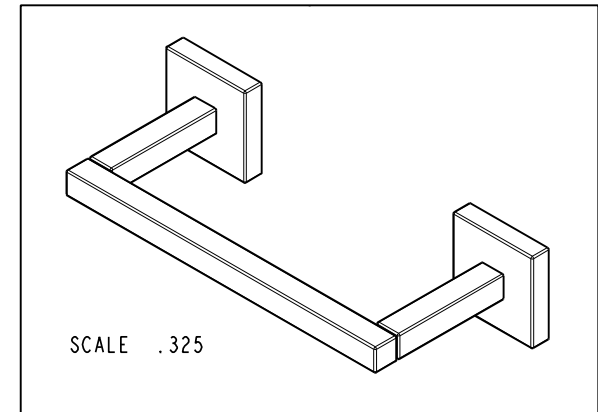
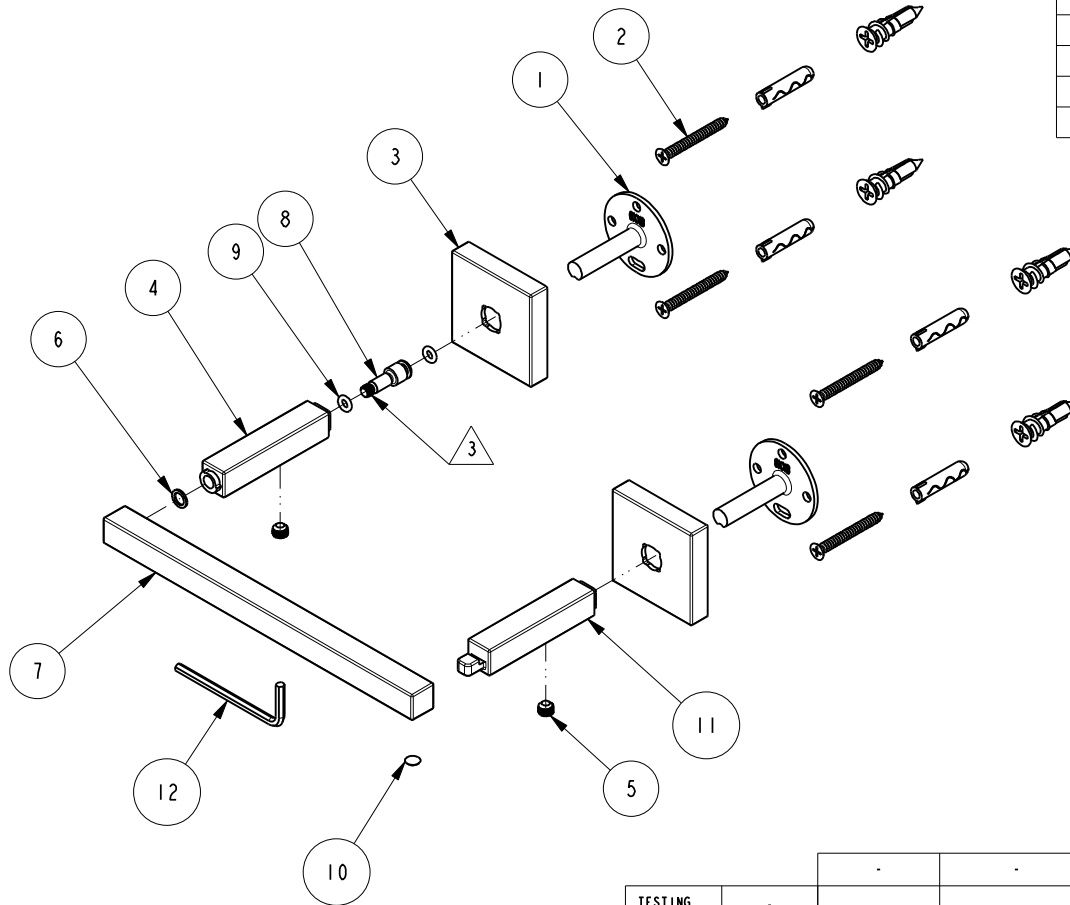


NOTES:

- (N1) 1. FIT / FORM / FUNCTION SHALL FOLLOW PS-E.008.
- 2. BAG ITEMS 1, 2 AND 12.
- 3. APPLY LOCTITE 680.

BILL OF MATERIAL (CURRENT LEVEL)

ITEM	PT/ASSY	DESCRIPTION	TYPE	QTY.
1	6XXB	MOUNTING BRACKET	PART	2
2	1-206	HARDWARE PACK	ASSEMBLY	2
3	40596	ESCUTCHEON	PART	2
4	40698	PIVOTING TISSUE POST LEFT	PART	1
5	92563	SCRW, 1/4-28 X 3/16 SKT HD CUP PT SS	PART	2
6	91779	WSHR, .220 ID X .315 OD X .030 THK, FLT, ACETAL	PART	1
7	40700	PIVOTING TISSUE ARM	PART	1
8	92893	PIVOT SCREW	PART	1
9	91098	O-RING, #2-007, EPDM, 65-75 DURO	PART	2
10	91254	POLY BUMPER PAD, DIA .250" X .062"	PART	1
11	40699	PIVOTING TISSUE POST RIGHT	PART	1
12	92422	HEX KEY, 1/8" ALLOY STEEL	PART	1



ZONE	REV	DESCRIPTION	DATE	APPROVED
-	A	EN-3735	06/04/19	J.M.
-	-	EN-2846	11/06/15	J.M.

COPYRIGHT 2005 BRASSTECH, INC. THESE DRAWINGS AND THE DESIGNS DEPICTED HEREIN ARE THE PROPRIETARY PROPERTY OF BRASSTECH. ANY USE OR REPRODUCTION IS SUBJECT TO THE EXPRESS APPROVAL OF BRASSTECH. UNAUTHORIZED USE IS STRICTLY PROHIBITED. ALL RIGHTS RESERVED.

TESTING	ASSEMBLY	PLATING	POLISHING	MACHINING	TOOLING FIXTURE #	APPLICATION
-	-	-	-	-	-	REMOVE ALL BURRS AND SHARP EDGES

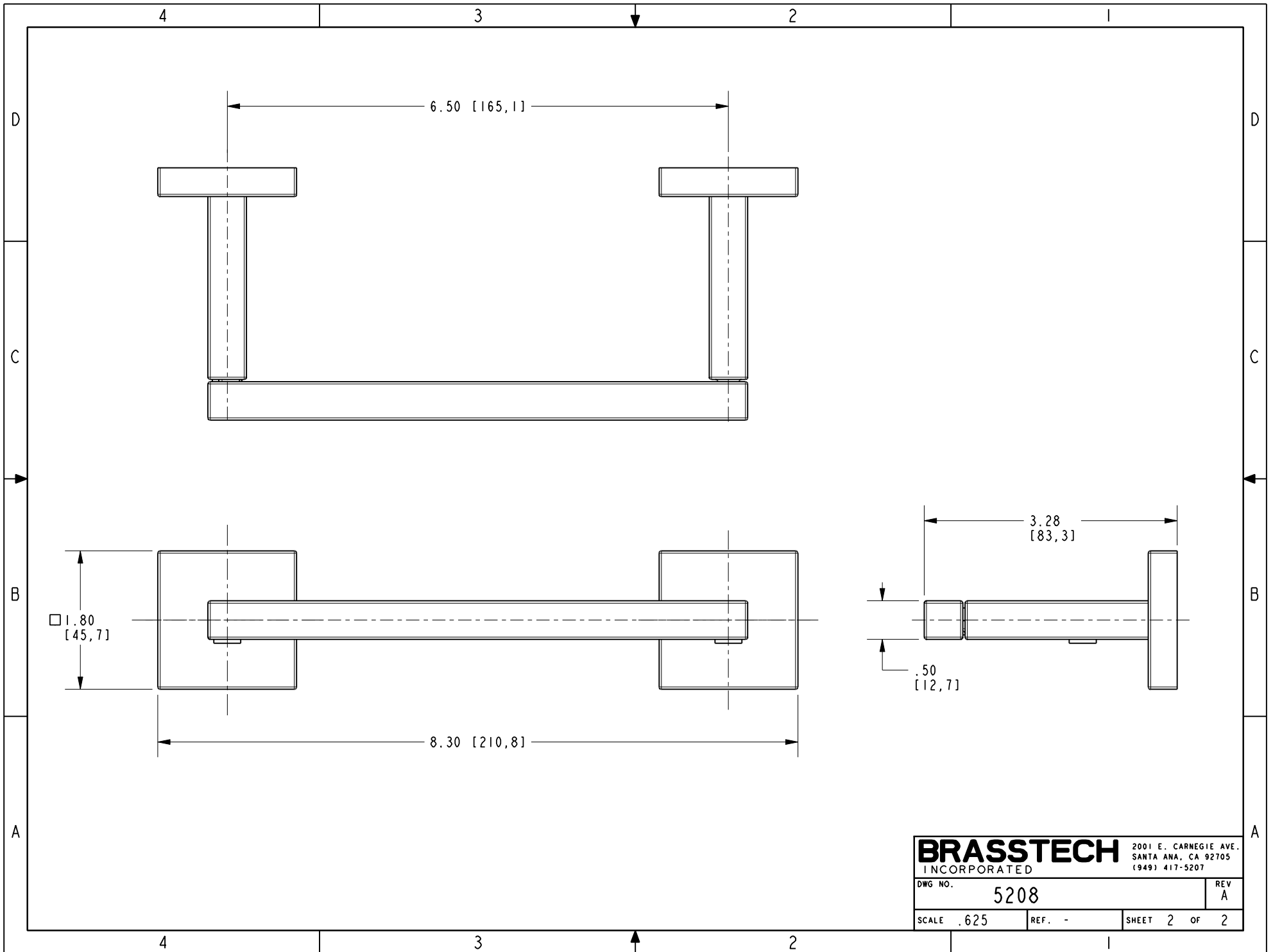
UNITS ARE: INCHES [MM]	
TOLERANCES ARE:	
FRACTIONS	DECIMALS
±1/16"	.X ±.1 [2.5]
	.XX ±.06 [1.5]
(X.XXX) DENOTES CRITICAL DIMS. ALL THREADS ARE CRITICAL	
DRAWN	JINSON 06/19/19
CHECKED	J.M. 06/19/19
APPROVED	J.M. 06/19/19

BRASSTECH 2001 CARNEGIE AVE. SANTA ANA, CA 92705 (949) 417-5207
INCORPORATED

PIVOTING TISSUE HOLDER

DWG NO. **5208** REV **A**

SCALE .325 REF. - SHEET 1 OF 2



BRASSTECH		2001 E. CARNEGIE AVE. SANTA ANA, CA 92705 (949) 417-5207	
DWG NO.	5208	REV	A
SCALE .625	REF. -	SHEET 2	OF 2