

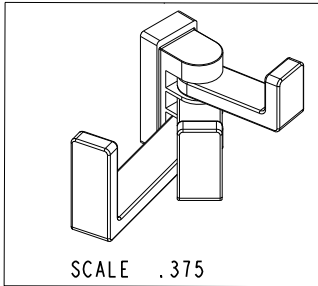
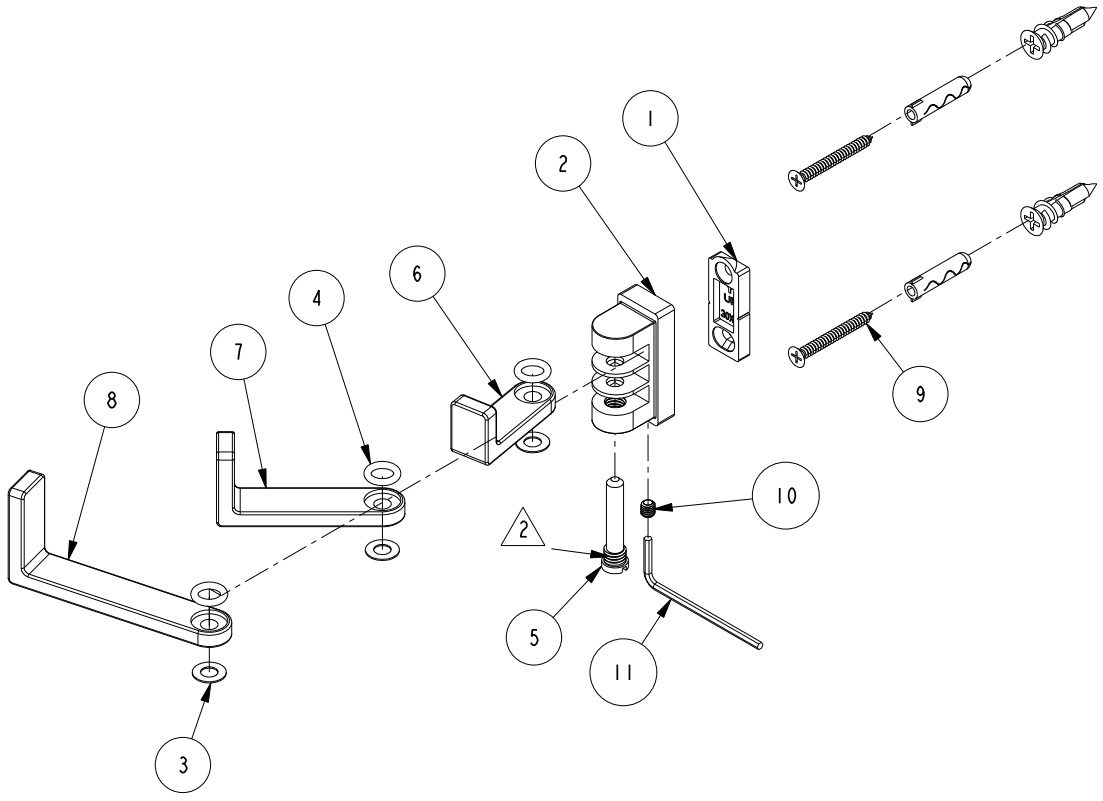
NOTES:

(N1) 1. TO INSPECT ASSEMBLY, FOLLOW FIRST ARTICLE AND IN PROCESS INSPECTION SHEET.

(N2)  2 APPLY LOCTITE 680.

BILL OF MATERIAL (CURRENT LEVEL)

ITEM	PT/ASSY	DESCRIPTION	TYPE	QTY.
1	30XX	MOUNTING BRACKET - SHORT	PART	1
2	40615	TRIPLE HOOK BASE	PART	1
3	91488	CLEAR VINYL WASHER	PART	3
4	91502	O-RING, 2.5 X 8MM ID, EPDM, 65-75 DURO	PART	3
5	40391	TRIPLE HOOK PIVOT PIN	PART	1
6	40619	SHORT HOOK ARM	PART	1
7	40620	MEDIUM HOOK ARM	PART	1
8	40621	LONG HOOK ARM	PART </td <td>1</td>	1
9	1-206	HARDWARE PACK	ASSEMBLY	1
10	92308	SCRW, M5 X 5 SKT HD CUP PT SS	PART	1
11	10888	HEX KEY, 2.5MM ALLOY STEEL	PART	1



ZONE	REV	DESCRIPTION	DATE	APPROVED	TESTING	ASSEMBLY	PLATING	POLISHING	MACHINING	TOOLING FIXTURE #	APPLICATION
-	B	EN-4300T	06/29/22	R.S.	-	-	-	-	-	-	-
-	A	EN-4032	12/03/19	R.S.	-	-	-	-	-	-	-
-	-	EN-2846	11/06/15	J.M.	-	-	NEXT ASSY	USED ON	-	-	-
-	-	-	-	-	-	-	-	-	-	-	-

COPYRIGHT 2005 BRASSTECH, INC. THESE DRAWINGS AND THE DESIGNS DEPICTED HEREIN ARE THE PROPRIETARY PROPERTY OF BRASSTECH. ANY USE OR REPRODUCTION IS SUBJECT TO THE EXPRESS APPROVAL OF BRASSTECH. UNAUTHORIZED USE IS STRICTLY PROHIBITED. ALL RIGHTS RESERVED.

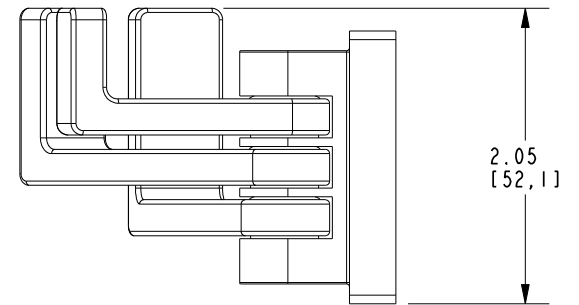
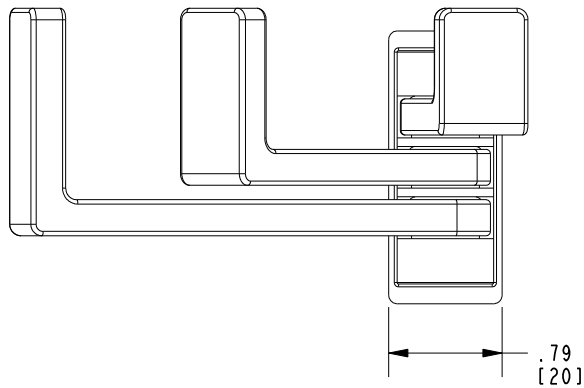
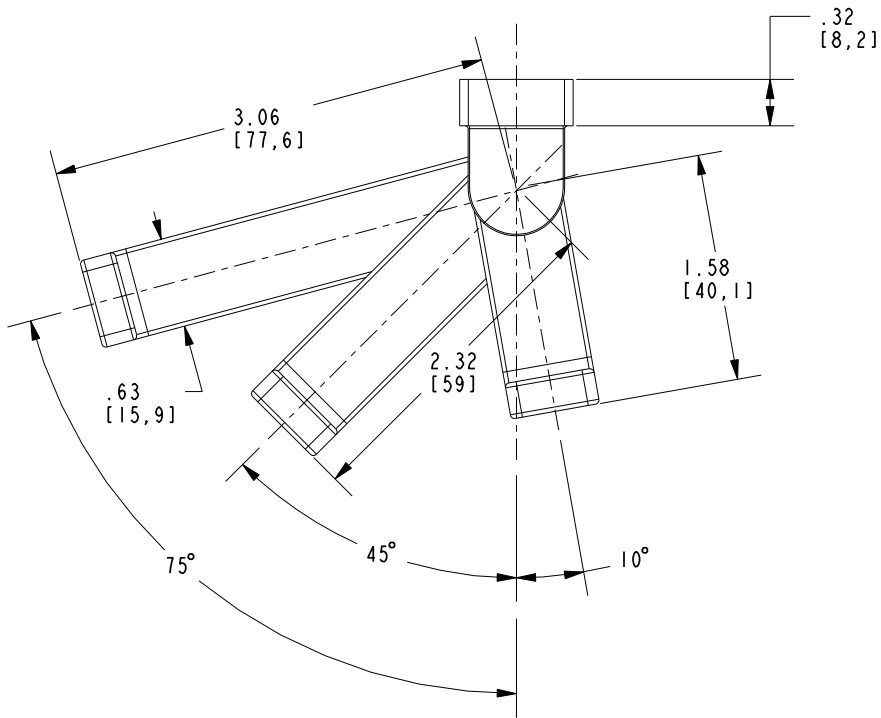
UNITS ARE: INCHES [MM]	
TOLERANCES ARE:	
FRACTIONS DECIMALS ANGLES	
±1/16" .X ±.1 [2.5] ±°	
.XX ±.06 [1.5]	
(X.XXX) DENOTES CRITICAL DIMS. ALL THREADS ARE CRITICAL	
DRAWN R.S.	11/06/15
CHECKED J.M.	11/06/15
APPROVED J.M.	11/06/15

BRASSTECH 2001 CARNEGIE AVE. SANTA ANA, CA 92705 (949) 417-5207
INCORPORATED

TRIPLE SWIVELING HOOK

DWG NO. **5210T** REV **B**

SCALE .375 REF. - SHEET 1 OF 2



BRASSTECH		2001 E. CARNEGIE AVE. SANTA ANA, CA 92705 (949) 417-5207	
DWG NO.	5210T	REV	B
SCALE	.750	REF.	-
		SHEET	2 OF 2