

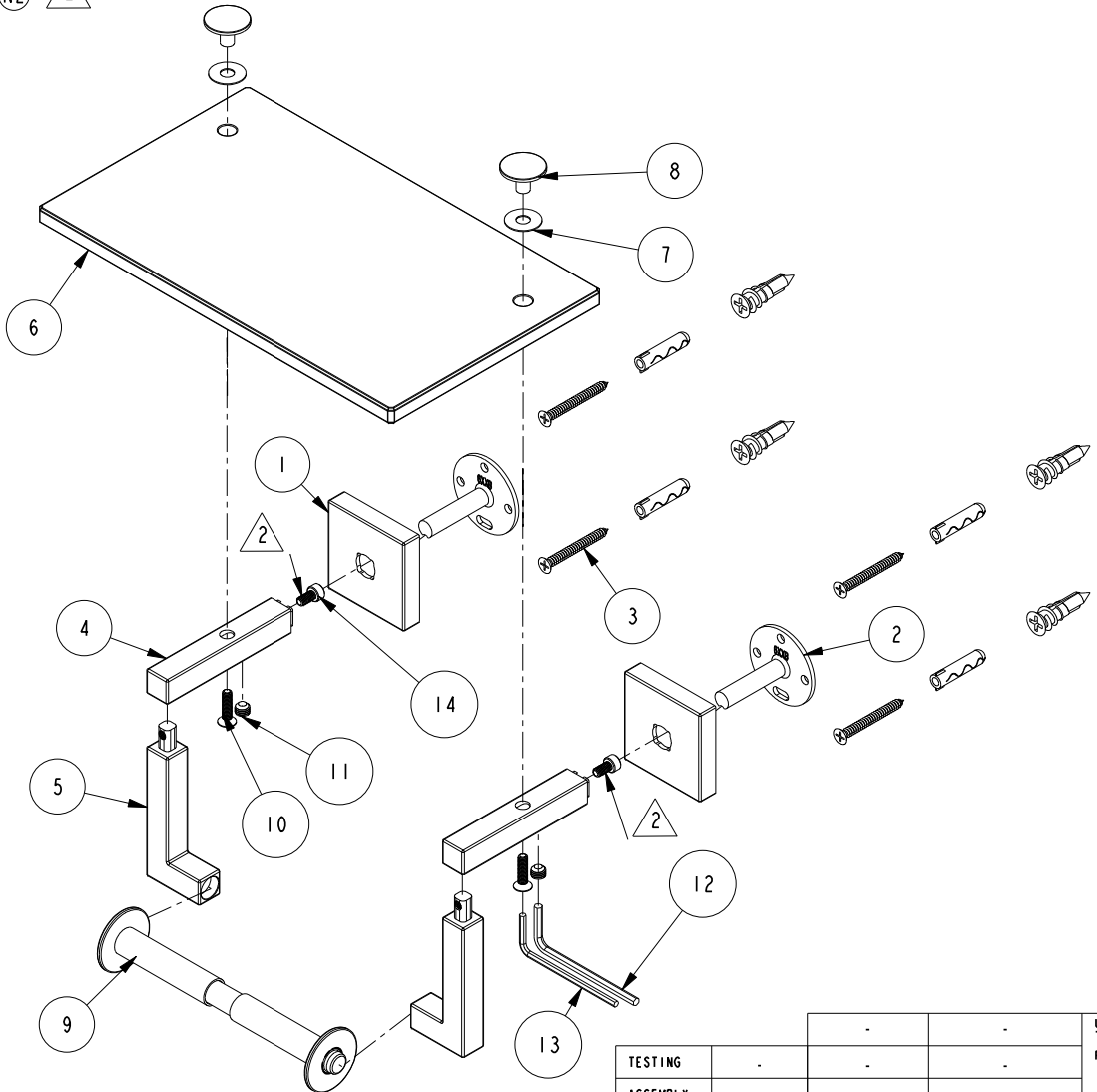
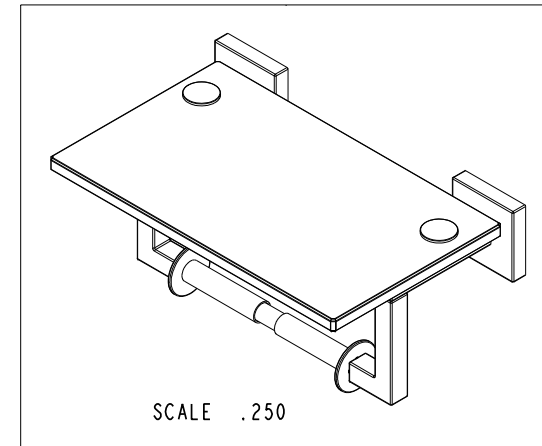
NOTES:

(N1) 1. FIT / FORM / FUNCTION SHALL FOLLOW PS-E.008.

(N2)  2 APPLY LOCTITE 680.

BILL OF MATERIAL (CURRENT LEVEL)

ITEM	PT/ASSY	DESCRIPTION	TYPE	QTY.
1	40596	ESCUTCHEON	PART	2
2	6XXB	MOUNTING BRACKET	PART	2
3	1-206	HARDWARE PACK	ASSEMBLY	2
4	40623	TISSUE POST	PART	2
5	40624	TISSUE ARM	PART	2
6	40392	GLASS TEMPERED	PART	1
7	91481	CLEAR VINYL SHELF WASHER	PART	2
8	40383	SHELF FINISHING NUT	PART	2
9	2608T	TISSUE ROLLER ASM	ASSEMBLY	1
10	92477	SCRW, M4 X 16 SKT FLT HD SS	PART	2
11	92563	SCRW, 1/4-28 X 3/16 SKT HD CUP PT SS	PART	2
12	92422	HEX KEY, 1/8" ALLOY STEEL	PART	1
13	10888	HEX KEY, 2.5MM ALLOY STEEL	PART	1
14	92299	SCRW, M4 X 0.7 X 8 SKT CAP ALOY STL	PART	2



COPYRIGHT 2005 BRASSTECH, INC.
 THESE DRAWINGS AND THE DESIGNS
 DEPICTED HEREIN ARE THE PROPRIETARY
 PROPERTY OF BRASSTECH. ANY USE
 OR REPRODUCTION IS SUBJECT TO
 THE EXPRESS APPROVAL OF BRASSTECH.
 UNAUTHORIZED USE IS STRICTLY
 PROHIBITED. ALL RIGHTS RESERVED.

TESTING	-	-	-
ASSEMBLY	-	-	-
PLATING	-	-	-
POLISHING	-	NEXT ASSY	USED ON
MACHINING	-	APPLICATION	
TOOLING FIXTURE #	REMOVE ALL BURRS AND SHARP EDGES		

UNITS ARE: INCHES [MM]	
TOLERANCES ARE:	
FRACTIONS DECIMALS	ANGLES
±1/16"	±1°
.X ±.1 [2.5]	
.XX ±.06 [1.5]	
(X.XXX) DENOTES CRITICAL DIMS.	
ALL THREADS ARE CRITICAL	
DRAWN	R.S. 11/06/15
CHECKED	J.M. 11/06/15
APPROVED	J.M. 11/06/15

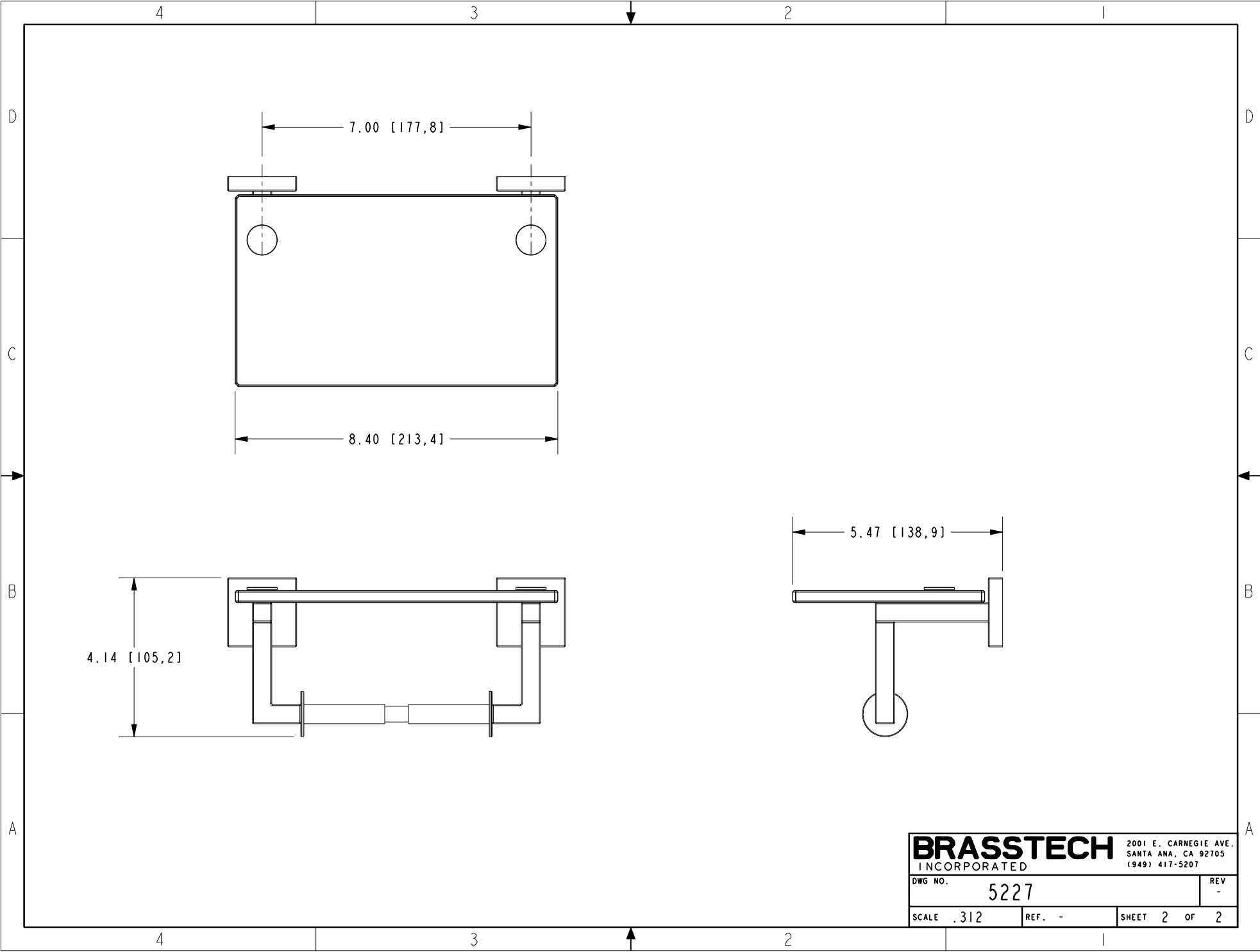
BRASSTECH 2001 CARNEGIE AVE.
 INCORPORATED SANTA ANA, CA 92705
 (949) 417-5207

DBL POST TT HOLDER W/ COVER

DWG NO. **5227**

SCALE .312 REF. - SHEET 1 OF 2

-	-	EN-2846	11/06/15	J.M.
ZONE	REV	DESCRIPTION	DATE	APPROVED



BRASSTECH		2001 E. CARNEGIE AVE.
INCORPORATED		SANTA ANA, CA 92705
		(949) 417-5207
DWG NO.	5227	REV -
SCALE .312	REF. -	SHEET 2 OF 2