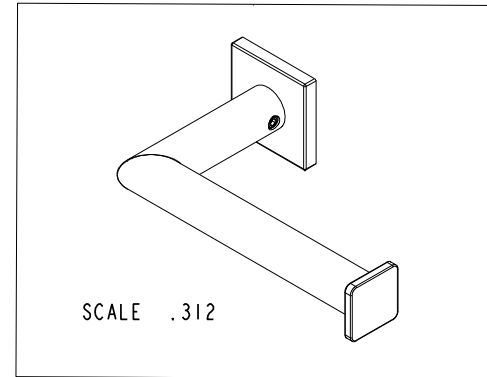
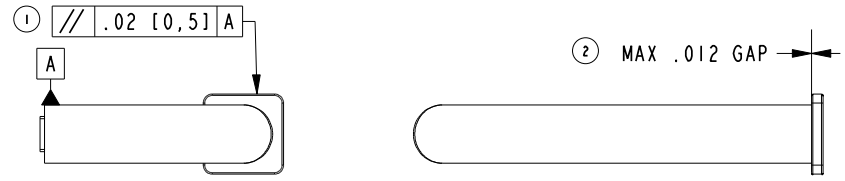
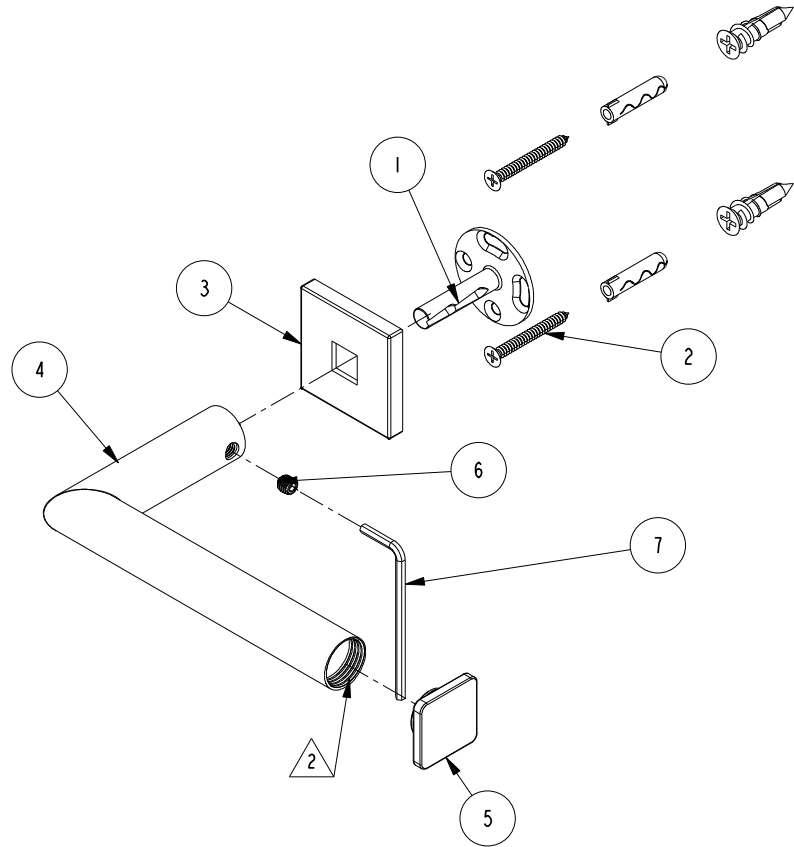


NOTES:

- (N1) 1. TO INSPECT ASSEMBLY, FOLLOW FIRST ARTICLE AND IN PROCESS INSPECTION SHEET.
- (N2)  2 APPLY PERMANENT THREAD LOCKER (LOCTITE 680)

**BILL OF MATERIAL (CURRENT LEVEL)**

ITEM	PT/ASSY	DESCRIPTION	TYPE	QTY.
1	92914	MOUNTING BRACKET	PART	1
2	1-206	HARDWARE PACK	ASSEMBLY	1
3	40858	ESCUTCHEON	PART	1
4	7-769	OPEN TISSUE HOLDER ARM	ASSEMBLY	1
5	40592	ARM FINIAL	PART	1
6	92031	SCRW, M6 X 1 X 6 SKT HD CUP PT W/ SELF LOC SS	PART	1
7	10615	HEX KEY, 3MM ALLOY STEEL	PART	1



ZONE	REV	DESCRIPTION	DATE	APPROVED
-	C	EN-4263	01/27/21	R. S.
-	B	EN-4150	03/31/20	R. S.
-	A	EN-4032	12/12/19	R. S.
-	-	EN-2927	08/14/15	J. M.

COPYRIGHT 2005 BRASSTECH, INC. THESE DRAWINGS AND THE DESIGNS DEPICTED HEREIN ARE THE PROPRIETARY PROPERTY OF BRASSTECH. ANY USE OR REPRODUCTION IS SUBJECT TO THE EXPRESS APPROVAL OF BRASSTECH. UNAUTHORIZED USE IS STRICTLY PROHIBITED. ALL RIGHTS RESERVED.

TESTING	-	-	-
ASSEMBLY	-	-	-
PLATING	-	-	-
POLISHING	-	NEXT ASSY	USED ON
MACHINING	-	APPLICATION	
TOOLING FIXTURE #	REMOVE ALL BURRS AND SHARP EDGES		

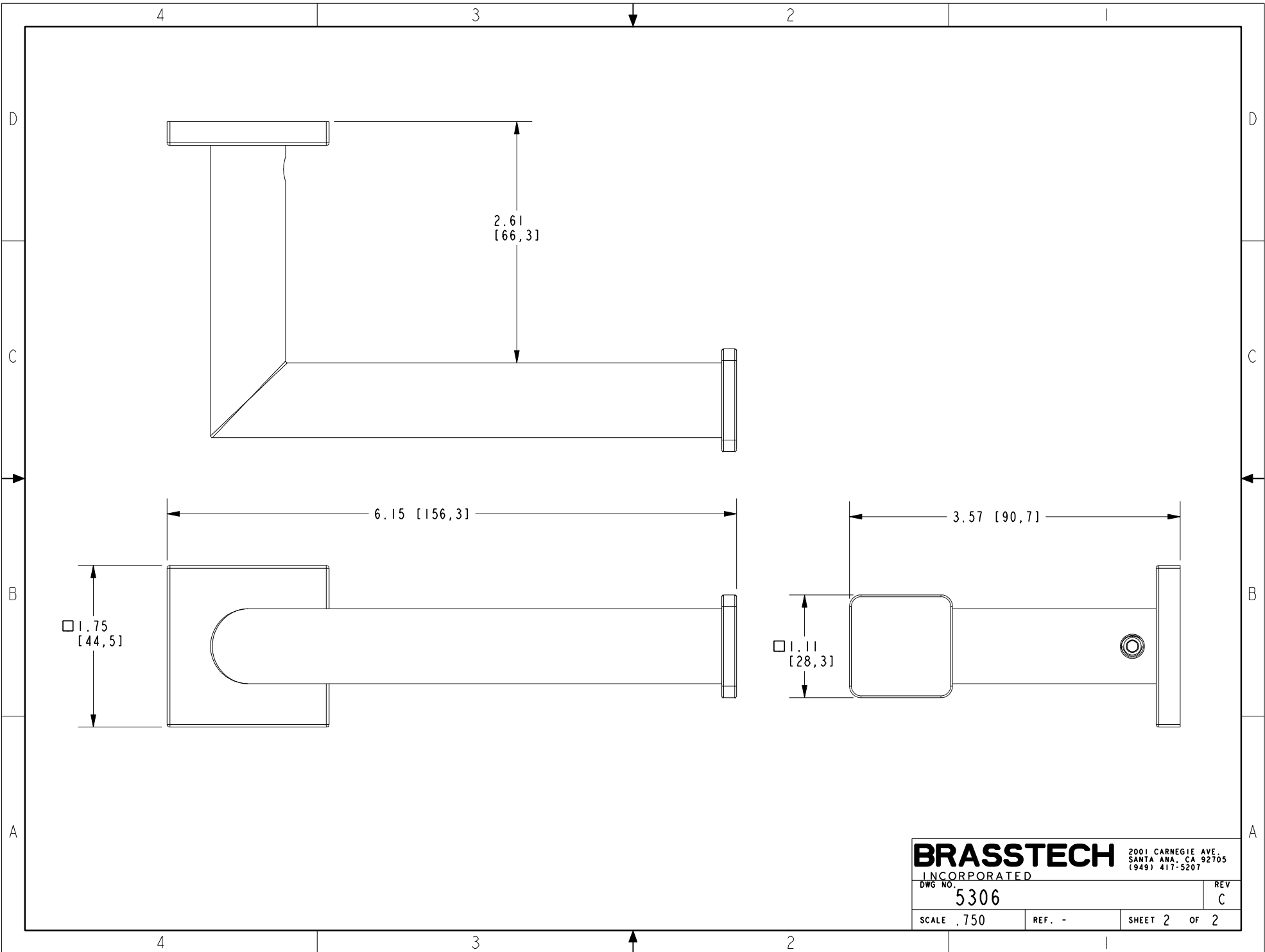
UNITS ARE: INCHES [MM]			
TOLERANCES ARE:			
FRACTIONS	DECIMALS	ANGLES	
±1/16"	.X ±.1 [2,5]	±1°	
	.XX ±.06 [1,5]		
(X.XXX) DENOTES CRITICAL DIMS. ALL THREADS ARE CRITICAL			
DRAWN	R.S.	08/14/15	
CHECKED	J.M.	08/14/15	
APPROVED	J.M.	08/14/15	

**BRASSTECH** 2001 CARNEGIE AVE. SANTA ANA, CA 92705 (949) 417-5207  
INCORPORATED

**OPEN TISSUE HOLDER**

DWG NO. **5306** REV **C**

SCALE .375 REF. - SHEET 1 OF 2



<b>BRASSTECH</b>		2001 CARNEGIE AVE. SANTA ANA, CA 92705 (949) 417-5207	
INCORPORATED			
DWG NO.	5306	REV	C
SCALE	.750	REF.	-
		SHEET	2 OF 2