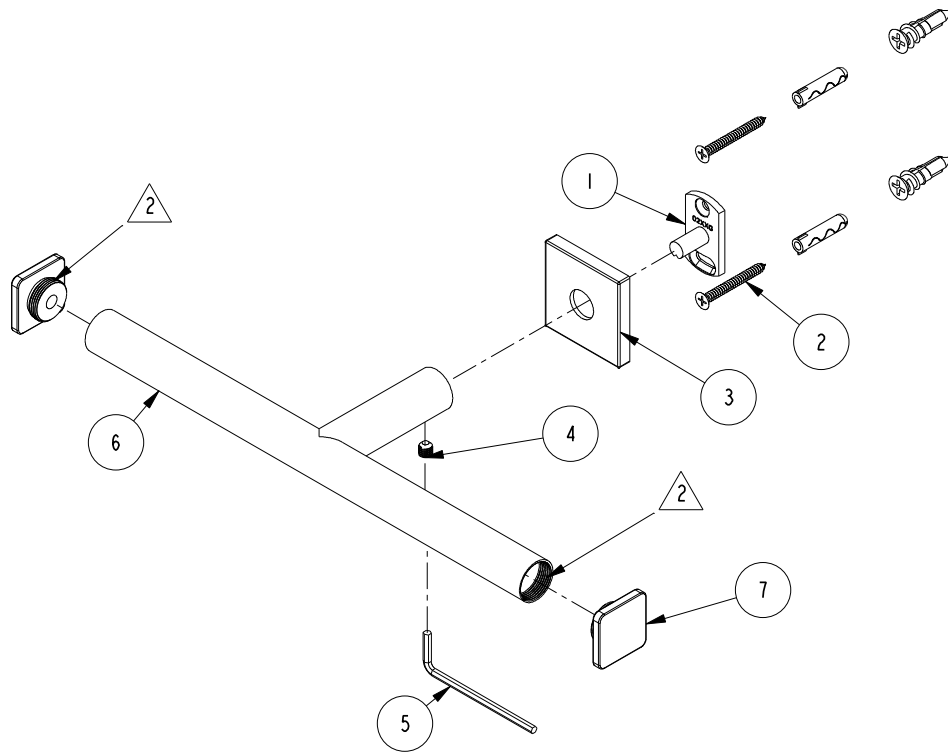


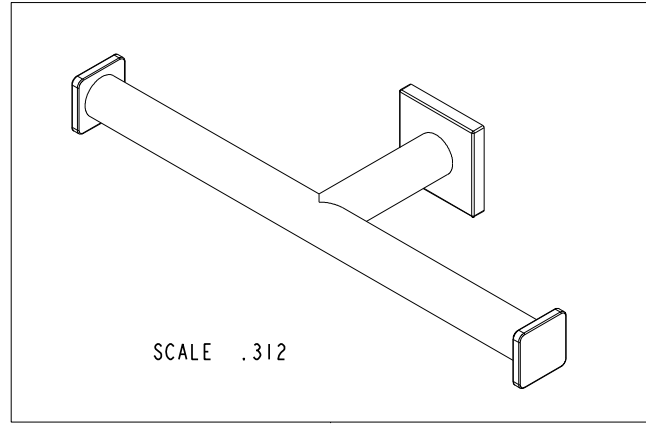
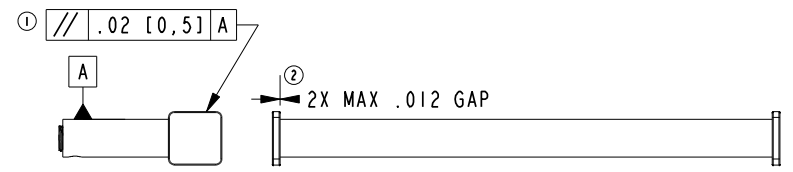
NOTES:

- (N1) 1. FIT / FORM / FUNCTION SHALL FOLLOW PS-E.008.
- (N2) 2. APPLY PERMANENT THREAD LOCKER (LOCTITE 680)



BILL OF MATERIAL (CURRENT LEVEL)

ITEM	PT/ASSY	DESCRIPTION	TYPE	QTY.
1	02XXG	MOUNTING BRACKET	PART	1
2	1-206	HARDWARE PACK	ASSEMBLY	1
3	40591	ROSETTE	PART	1
4	92031	SCRW, M6 X 1 X 6 SKT HD CUP PT W/ SELF LOC SS	PART	1
5	10615	HEX KEY, 3MM ALLOY STEEL	PART	1
6	7-662	DOUBLE TISSUE HOLDER ARM	ASSEMBLY	1
7	40592	ARM FINIAL	PART	2



ZONE	REV	DESCRIPTION	DATE	APPROVED	TESTING	ASSEMBLY	PLATING	POLISHING	MACHINING	TOOLING FIXTURE #	APPLICATION	USED ON
-	B	EN-4150	03/31/20	R.S.	-	-	-	-	-	-	-	-
-	A	EN-4032	12/12/19	R.S.	-	-	-	-	-	-	-	-
-	-	EN-2927	08/14/15	J.M.	-	-	-	-	-	-	-	-
COPYRIGHT 2005 BRASSTECH, INC. THESE DRAWINGS AND THE DESIGNS DEPICTED HEREIN ARE THE PROPRIETARY PROPERTY OF BRASSTECH. ANY USE OR REPRODUCTION IS SUBJECT TO THE EXPRESS APPROVAL OF BRASSTECH. UNAUTHORIZED USE IS STRICTLY PROHIBITED. ALL RIGHTS RESERVED.					REMOVE ALL BURRS AND SHARP EDGES							

UNITS ARE: INCHES [MM]  
 TOLERANCES ARE:  
 FRACTIONS DECIMALS ANGLES  
 $\pm 1/16"$  .X  $\pm .1$  [2,5]  $\pm 1^\circ$   
 .XX  $\pm .06$  [1,5]

(X.XXX) DENOTES CRITICAL DIMS.  
 ALL THREADS ARE CRITICAL

**BRASSTECH** 2001 CARNEGIE AVE.  
 INCORPORATED SANTA ANA, CA 92705  
 (949) 417-5207

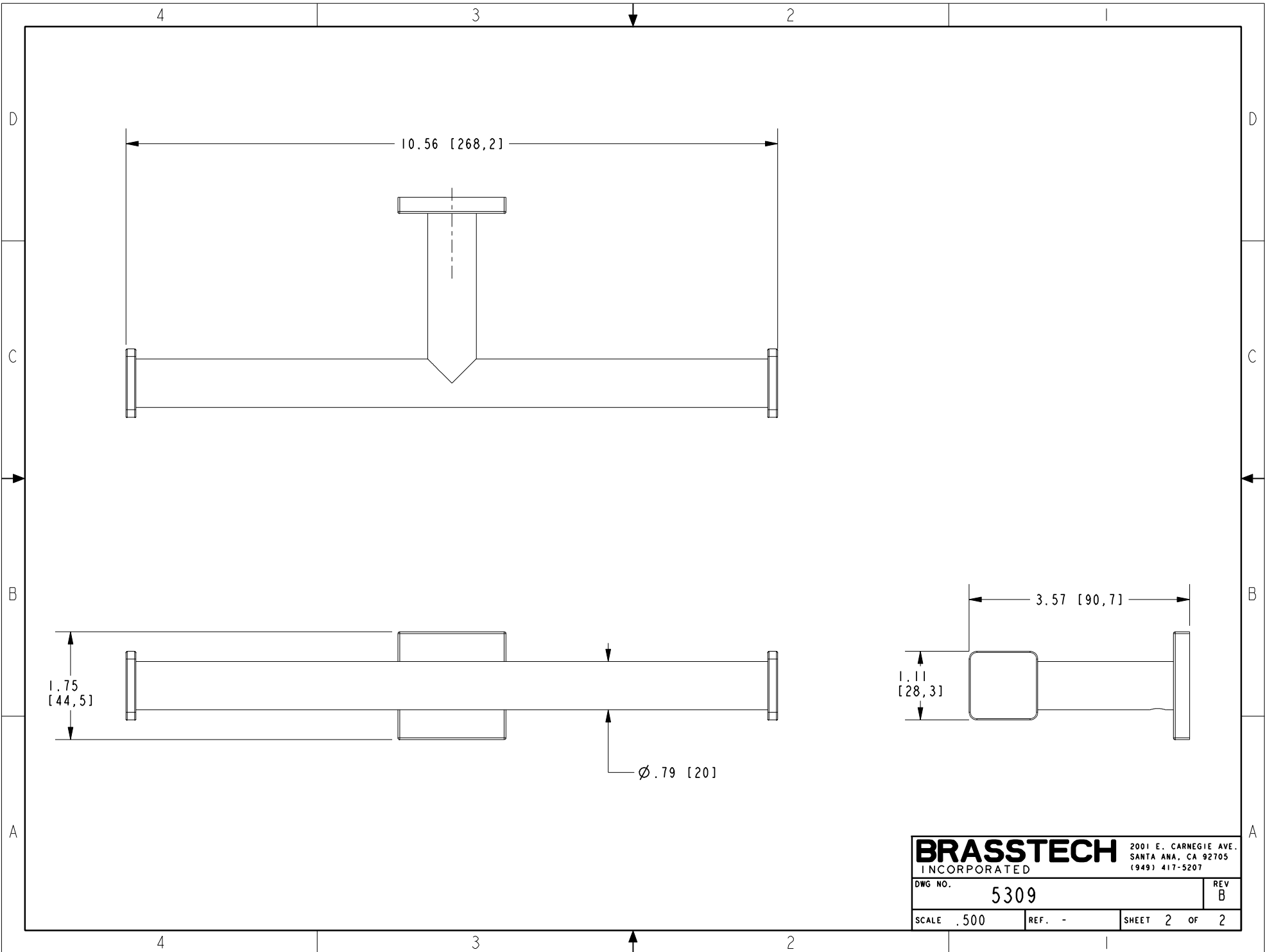
DOUBLE OPEN TISSUE HOLDER

DWG NO. 5309

SCALE .312 REF. - SHEET 1 OF 2

A

A



<b>BRASSTECH</b>		2001 E. CARNEGIE AVE. SANTA ANA, CA 92705 (949) 417-5207	
DWG NO.	5309	REV	B
SCALE	.500	REF.	-
		SHEET	2 OF 2