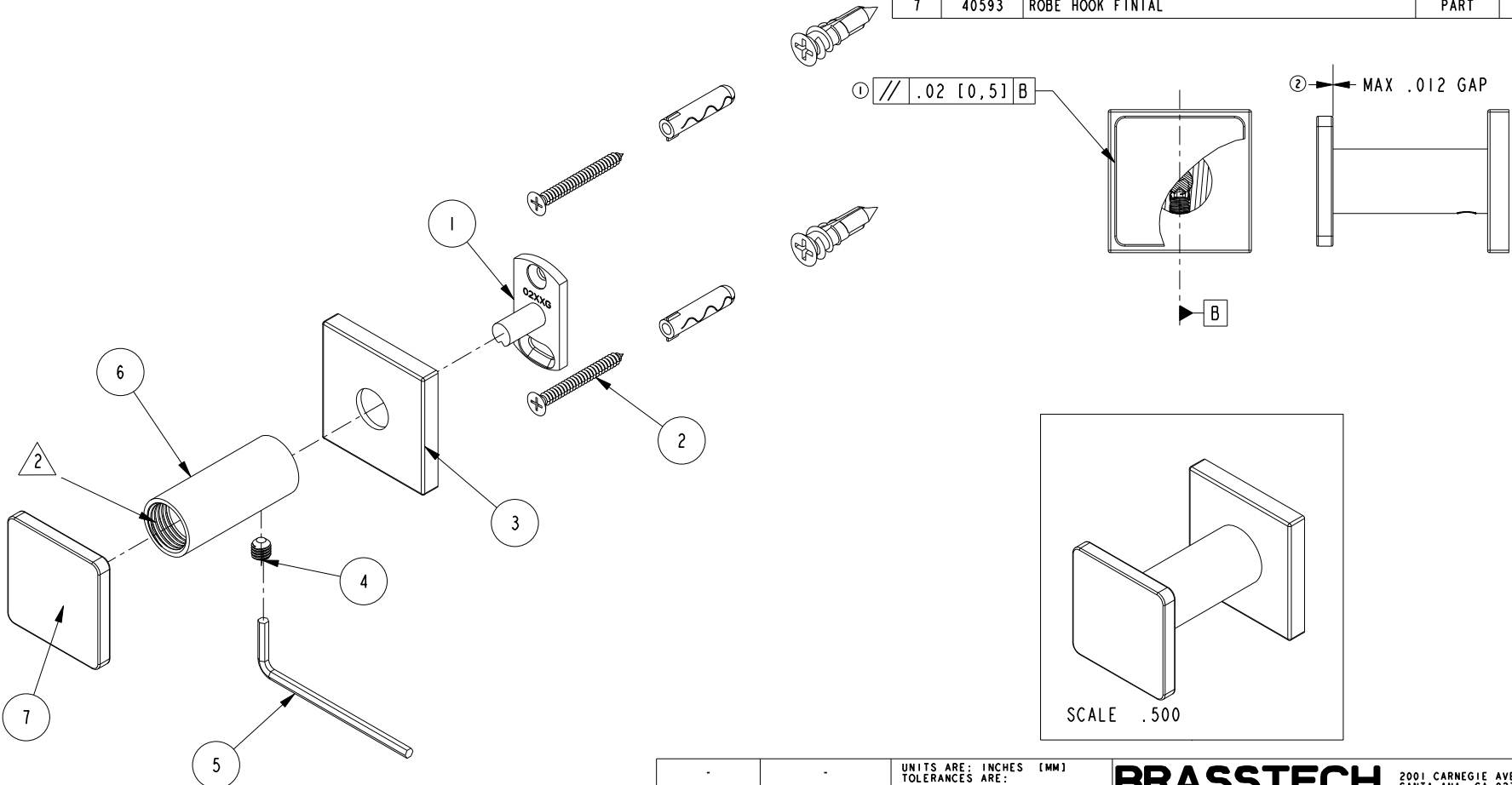


NOTES:

- (N1) 1. TO INSPECT ASSEMBLY, FOLLOW FIRST ARTICLE AND IN PROCESS INSPECTION SHEET.
- (N2)  2. APPLY PERMANENT THREAD LOCKER (LOCTITE 680)

BILL OF MATERIAL (CURRENT LEVEL)

ITEM	PT/ASSY	DESCRIPTION	TYPE	QTY.
1	02XXG	MOUNTING BRACKET	PART	1
2	1-206	HARDWARE PACK	ASSEMBLY	1
3	40591	ROSETTE	PART	1
4	92031	SCRW, M6 X 1 X 6 SKT HD CUP PT SS	PART	1
5	10615	HEX KEY, 3MM ALLOY STEEL	PART	1
6	40380	SINGLE ROBE HOOK ARM	PART	1
7	40593	ROBE HOOK FINIAL	PART	1



ZONE	REV	DESCRIPTION	DATE	APPROVED
-	C	EN-4300T	06/29/22	R. S.
-	B	EN-4150	03/31/20	R. S.
-	A	EN-4032	12/12/19	R. S.
-	-	EN-2927	08/14/15	J. M.

COPYRIGHT 2005 BRASSTECH, INC. THESE DRAWINGS AND THE DESIGNS DEPICTED HEREIN ARE THE PROPRIETARY PROPERTY OF BRASSTECH. ANY USE OR REPRODUCTION IS SUBJECT TO THE EXPRESS APPROVAL OF BRASSTECH. UNAUTHORIZED USE IS STRICTLY PROHIBITED. ALL RIGHTS RESERVED.

TESTING	ASSEMBLY	PLATING	POLISHING	MACHINING	TOOLING FIXTURE #	APPLICATION
-	-	-	-	-	-	REMOVE ALL BURRS AND SHARP EDGES

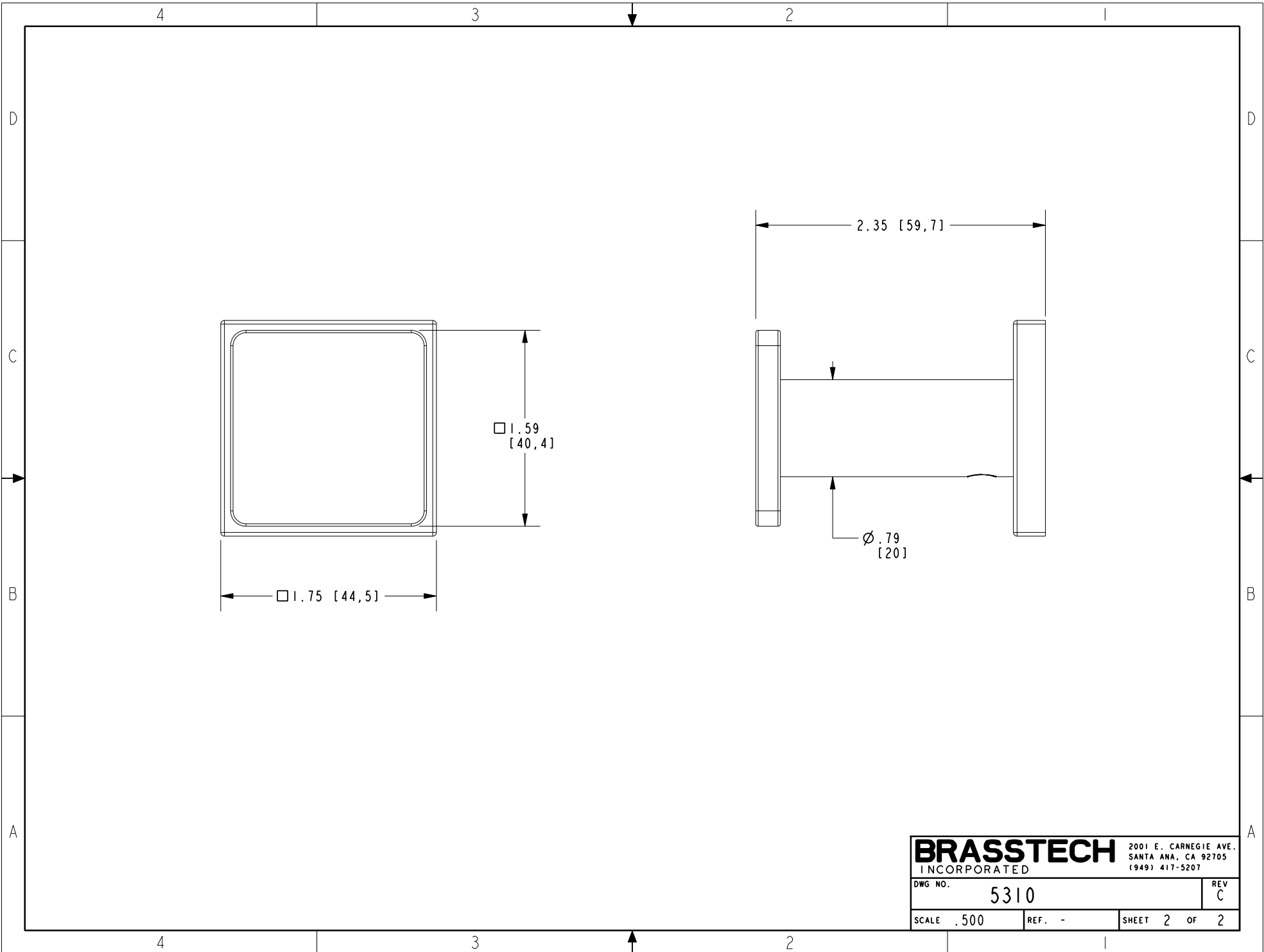
UNITS ARE:	INCHES	[MM]
FRACTIONS	DECIMALS	ANGLES
±1/16"	.X ±.1 [2.5]	±°
	.XX ±.06 [1.5]	
(X.XXX)	DENOTES CRITICAL DIMS. ALL THREADS ARE CRITICAL	
DRAWN	R.S.	08/14/15
CHECKED	J.M.	08/14/15
APPROVED	J.M.	08/14/15

BRASSTECH INCORPORATED
 2001 CARNEGIE AVE. SANTA ANA, CA 92705 (949) 417-5207

SINGLE ROBE HOOK

DWG NO. **5310** REV **C**

SCALE .500 REF. - SHEET 1 OF 2



BRASSTECH		2001 E. CARNEGIE AVE. SANTA ANA, CA 92705 (949) 417-5207	
DWG NO.	5310	REV	C
SCALE	.500	REF.	-
SHEET 2		OF 2	