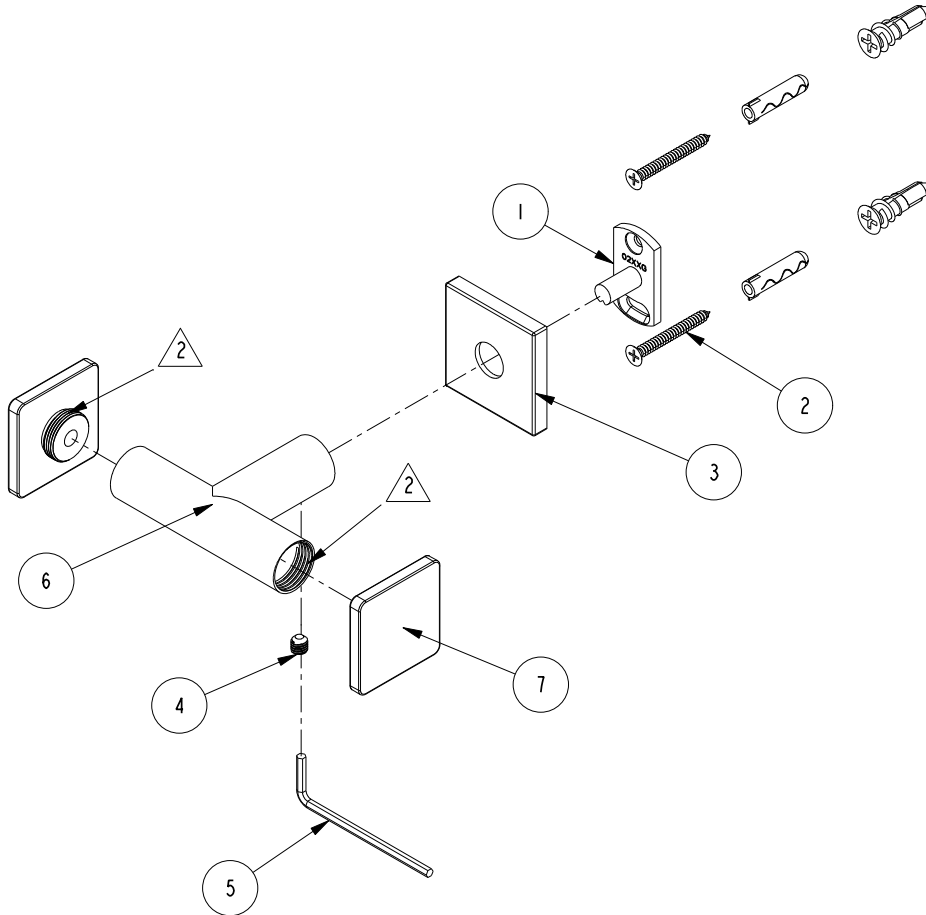
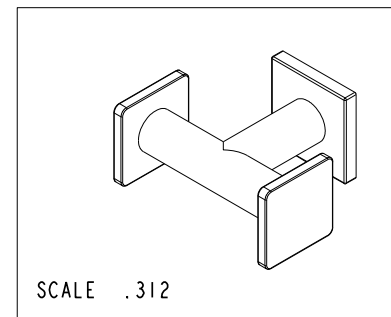
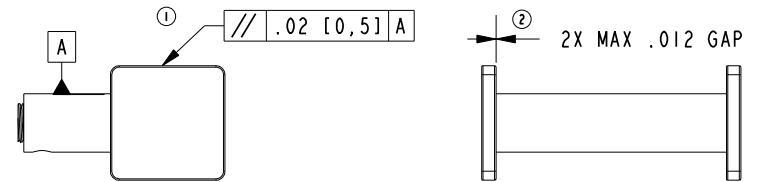


NOTES:

- (N1) 1. TO INSPECT ASSEMBLY, FOLLOW FIRST ARTICLE AND IN PROCESS INSPECTION SHEET.
- (N2)  2 APPLY PERMANENT THREAD LOCKER (LOCTITE 680)



BILL OF MATERIAL (CURRENT LEVEL)				
ITEM	PT/ASSY	DESCRIPTION	TYPE	QTY.
1	02XXG	MOUNTING BRACKET	PART	1
2	1-206	HARDWARE PACK	ASSEMBLY	1
3	40591	ROSETTE	PART	1
4	92031	SCRW, M6 X 1 X 6 SKT HD CUP PT SS	PART	1
5	10615	HEX KEY, 3MM ALLOY STEEL	PART	1
6	7-663	DOUBLE ROBE HOOK ARM	ASSEMBLY	1
7	40594	DOUBLE ROBE HOOK FINIAL	PART	2



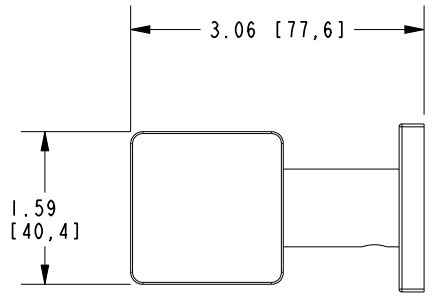
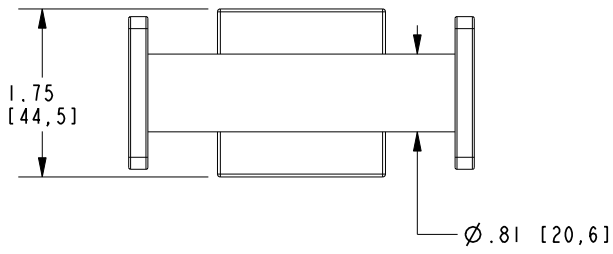
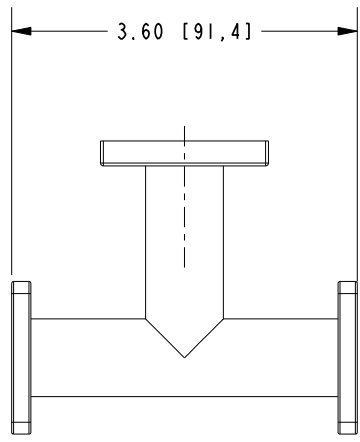
-	D	EN-4300T	06/29/22	R. S.
-	C	EN-4150	03/31/20	R. S.
-	B	EN-4032	12/12/19	R. S.
-	A	EN-2927a	09/30/15	J. M.
-	-	EN-2927	08/14/15	J. M.
ZONE	REV	DESCRIPTION	DATE	APPROVED

COPYRIGHT 2005 BRASSTECH, INC. THESE DRAWINGS AND THE DESIGNS DEPICTED HEREIN ARE THE PROPRIETARY PROPERTY OF BRASSTECH. ANY USE OR REPRODUCTION IS SUBJECT TO THE EXPRESS APPROVAL OF BRASSTECH. UNAUTHORIZED USE IS STRICTLY PROHIBITED. ALL RIGHTS RESERVED.

TESTING	-	-	-
ASSEMBLY	-	-	-
PLATING	-	-	-
POLISHING	-	NEXT ASSY	USED ON
MACHINING	-	APPLICATION	
TOOLING FIXTURE #	REMOVE ALL BURRS AND SHARP EDGES		

UNITS ARE: INCHES [MM]	
TOLERANCES ARE:	
FRACTIONS	DECIMALS
±1/16"	.X ±.1 [2,5]
	.XX ±.06 [1,5]
(X.XXX) DENOTES CRITICAL DIMS.	
ALL THREADS ARE CRITICAL	
DRAWN	R. S. 08/14/15
CHECKED	J. M. 08/14/15
APPROVED	J. M. 08/14/15

BRASSTECH		2001 CARNEGIE AVE. SANTA ANA, CA 92705 (949) 417-5207	
INCORPORATED			
DOUBLE ROBE HOOK			
DWG NO. 5310D		REV D	
SCALE .375	REF. -	SHEET 1	OF 2



BRASSTECH		2001 E. CARNEGIE AVE. SANTA ANA, CA 92705 (949) 417-5207	
DWG NO.	5310D		REV D
SCALE .500	REF. -	SHEET 2 OF 2	