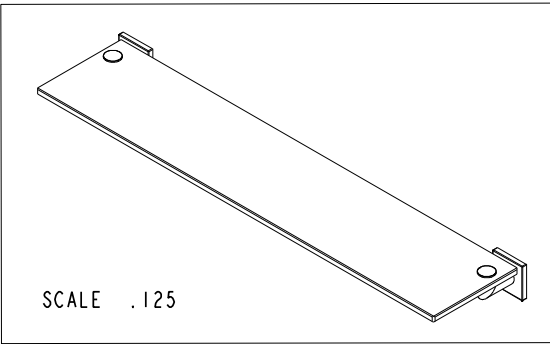
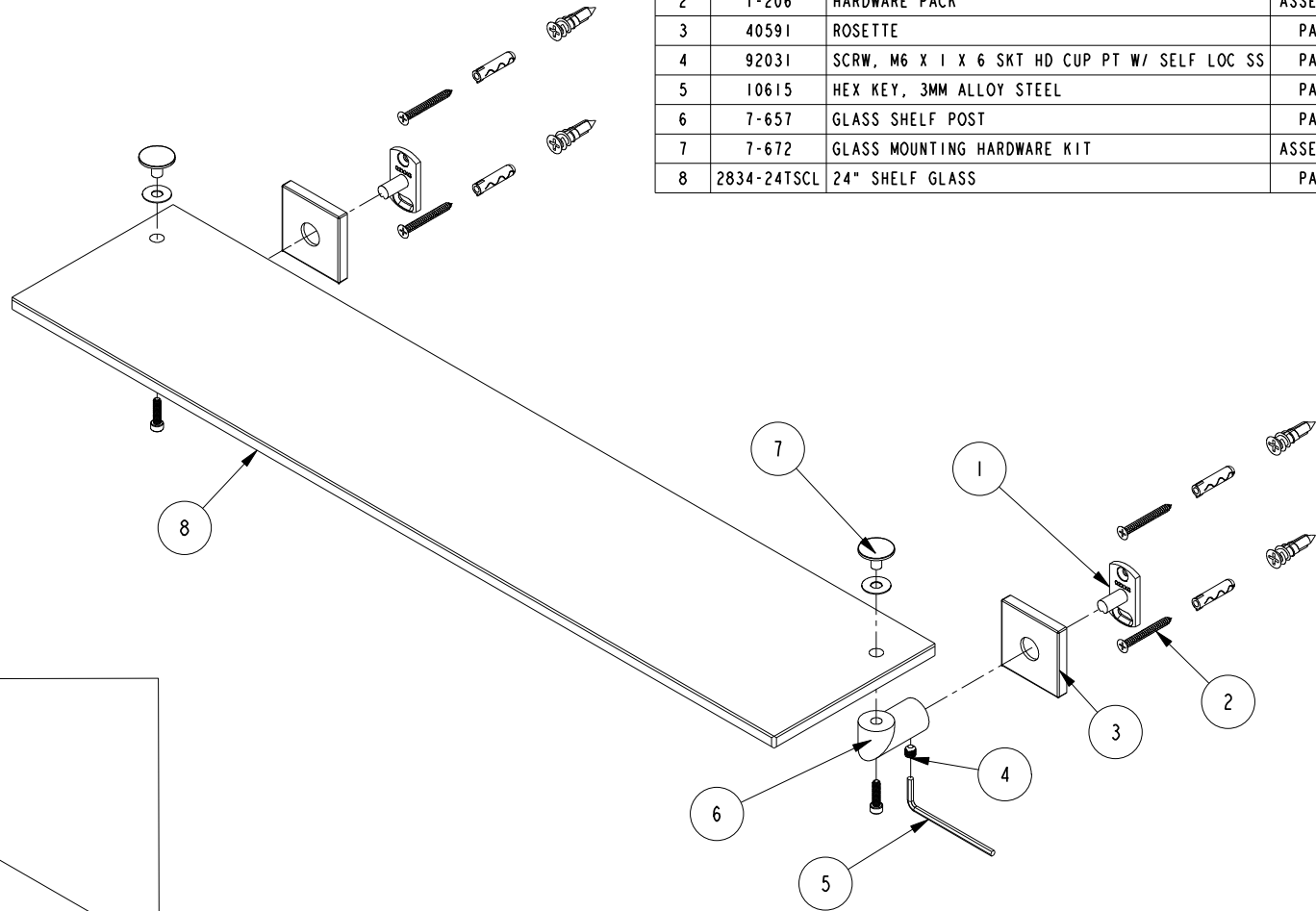


NOTES:

(NI) 1. FIT / FORM / FUNCTION SHALL FOLLOW PS-E.008.

BILL OF MATERIAL (CURRENT LEVEL)

| ITEM | PT/ASSY     | DESCRIPTION                                   | TYPE     | QTY. |
|------|-------------|---|----------|------|
| 1    | 02XXG       | MOUNTING BRACKET                              | PART     | 2    |
| 2    | 1-206       | HARDWARE PACK                                 | ASSEMBLY | 2    |
| 3    | 40591       | ROSETTE                                       | PART     | 2    |
| 4    | 92031       | SCRW, M6 X 1 X 6 SKT HD CUP PT W/ SELF LOC SS | PART     | 2    |
| 5    | 10615       | HEX KEY, 3MM ALLOY STEEL                      | PART     | 1    |
| 6    | 7-657       | GLASS SHELF POST                              | PART     | 2    |
| 7    | 7-672       | GLASS MOUNTING HARDWARE KIT                   | ASSEMBLY | 2    |
| 8    | 2834-24TSSL | 24" SHELF GLASS                               | PART     | 1    |



| TESTING           | -                                | -           | -       |
|-------------------|----------------------------------|-------------|---------|
| ASSEMBLY          | -                                | -           | -       |
| PLATING           | -                                | -           | -       |
| POLISHING         | -                                | NEXT ASSY   | USED ON |
| MACHINING         | -                                | APPLICATION |         |
| TOOLING FIXTURE # | REMOVE ALL BURRS AND SHARP EDGES |             |         |

UNITS ARE: INCHES [MM]  
 TOLERANCES ARE:  
 FRACTIONS DECIMALS ANGLES  
 $\pm 1/16"$  .X  $\pm .1$  [2.5]  
 .XX  $\pm .06$  [1.5]  
 (X.XXX) DENOTES CRITICAL DIMS.  
 ALL THREADS ARE CRITICAL  
 DRAWN R.S. 08/14/15  
 CHECKED J.M. 08/14/15  
 APPROVED J.M. 08/14/15

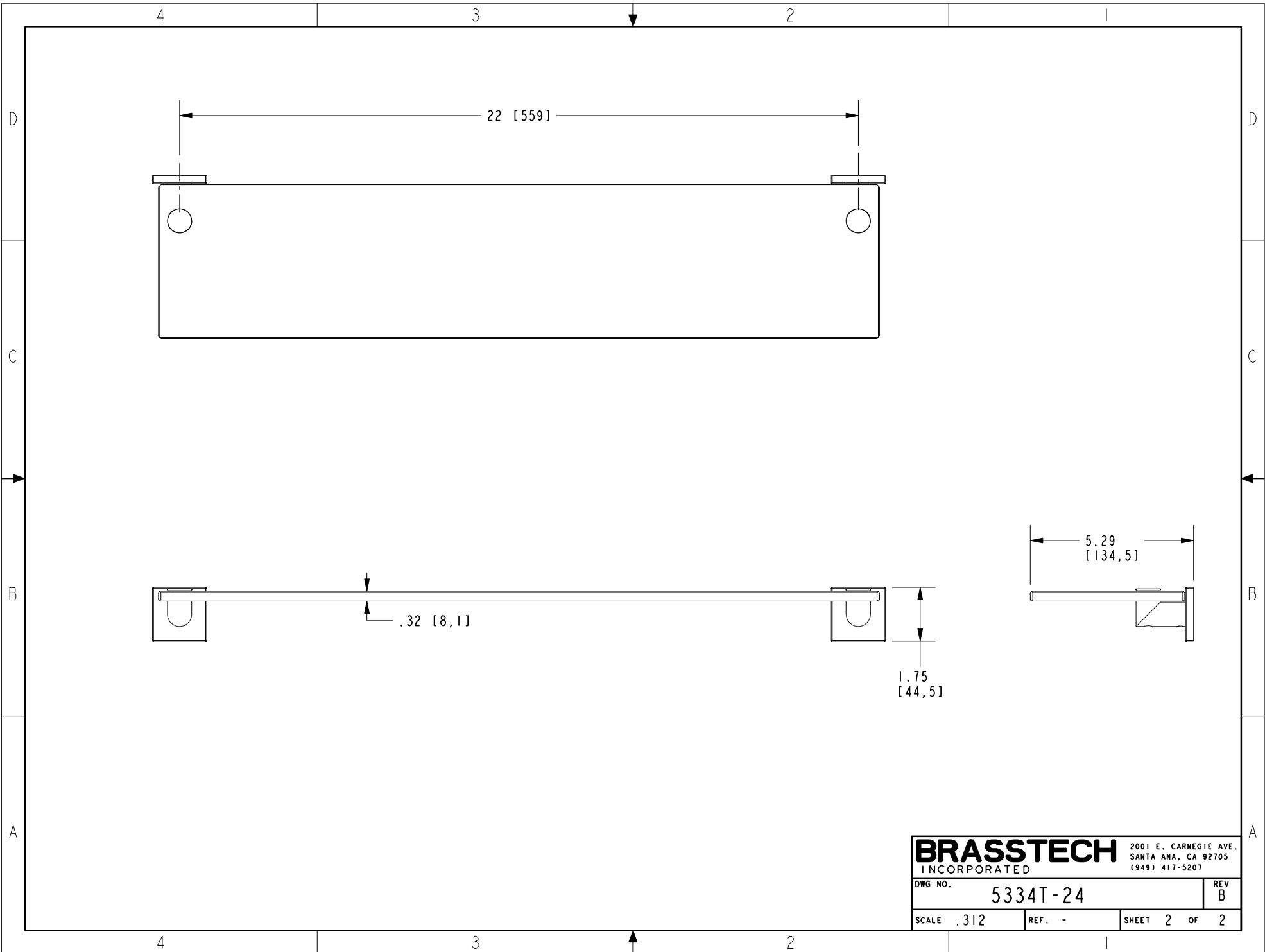
**BRASSTECH** 2001 CARNEGIE AVE.  
 INCORPORATED SANTA ANA, CA 92705  
 (949) 417-5207

24" GLASS SHELF

| ZONE | REV | DESCRIPTION | DATE     | APPROVED |
|------|-----|-------------|----------|----------|
| -    | B   | EN-4150     | 03/31/20 | R.S.     |
| -    | A   | EN-4032     | 12/12/19 | R.S.     |
| -    | -   | EN-2927     | 08/14/15 | J.M.     |

COPYRIGHT 2005 BRASSTECH, INC.  
 THESE DRAWINGS AND THE DESIGNS  
 DEPICTED HEREIN ARE THE PROPRIETARY  
 PROPERTY OF BRASSTECH. ANY USE  
 OR REPRODUCTION IS SUBJECT TO  
 THE EXPRESS APPROVAL OF BRASSTECH.  
 UNAUTHORIZED USE IS STRICTLY  
 PROHIBITED. ALL RIGHTS RESERVED.

|         |          |      |   |
|---------|----------|------|---|
| DWG NO. | 5334T-24 | REV  | B |
| SCALE   | .250     | REF. | - |
| SHEET   | 1        | OF   | 2 |



|                  |          |  |
|------------------|----------|--|
| <b>BRASSTECH</b> |          | 2001 E. CARNEGIE AVE.<br>SANTA ANA, CA 92705<br>(949) 417-5207 |
| DWG NO.          | 5334T-24 | REV B  |
| SCALE .312       | REF. -   | SHEET 2 OF 2   |