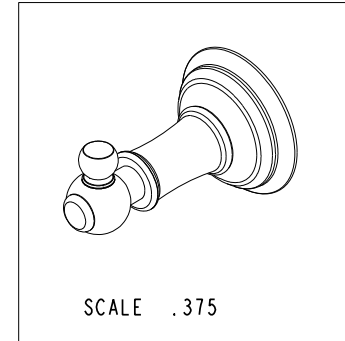
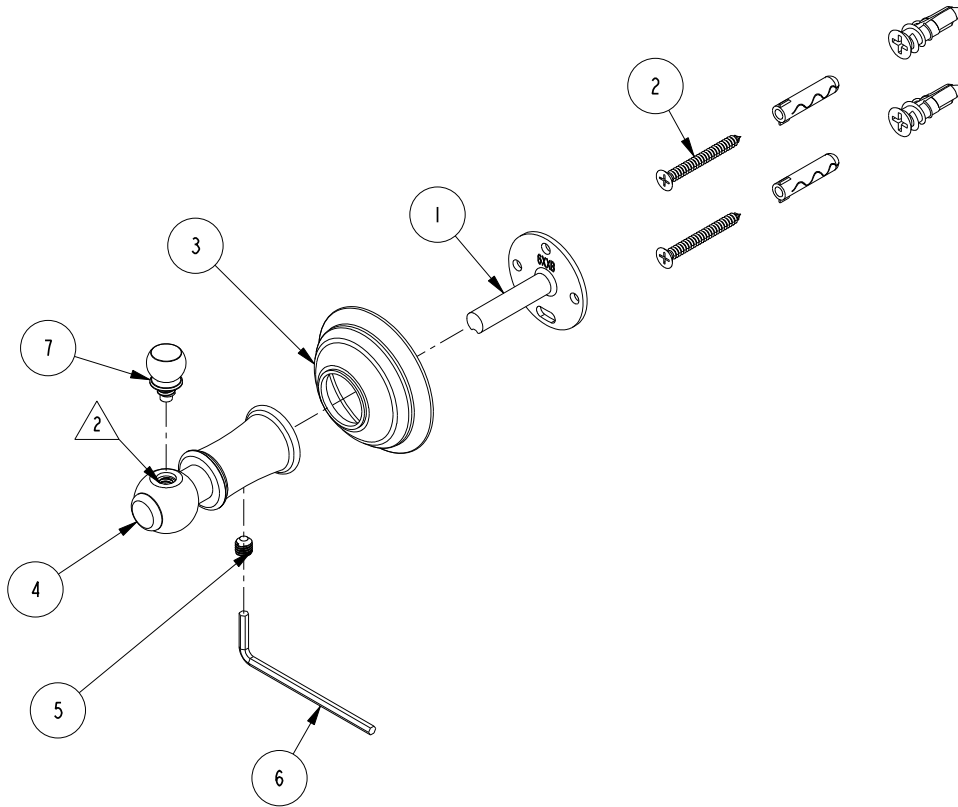


NOTES:

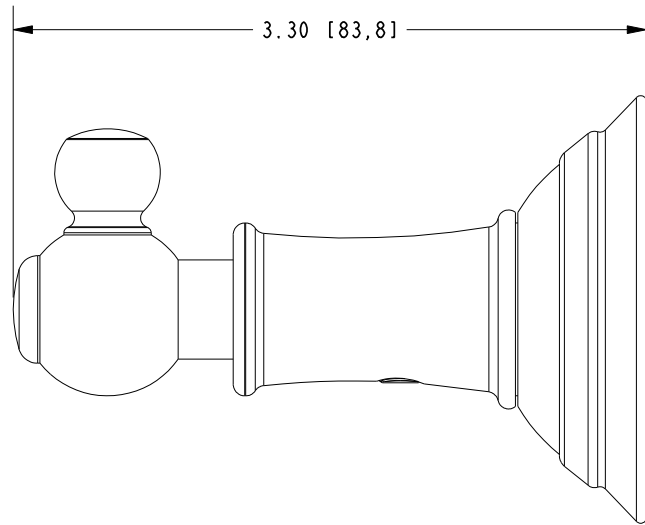
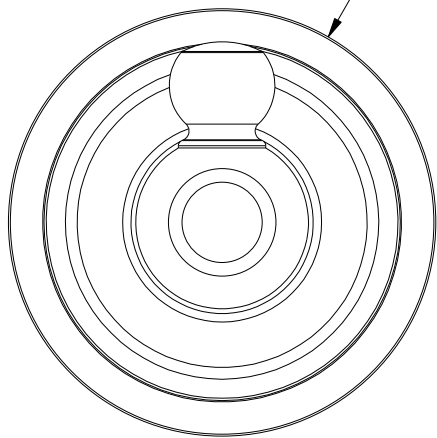
- (N1) 1. TO INSPECT ASSEMBLY, FOLLOW FIRST ARTICLE AND IN PROCESS INSPECTION SHEET.
- △ 2. APPLY LOCTITE 680.
- (N3) 3. PLACE ITEMS# 2 AND 10 IN A SEPARATE BAG

BILL OF MATERIAL (CURRENT LEVEL)

| ITEM | PT/ASSY | DESCRIPTION                       | TYPE     | QTY. |
|------|---------|-----------------------------------|----------|------|
| 1    | 6XXB    | MOUNTING BRACKET                  | PART     | 1    |
| 2    | 1-206   | HARDWARE PACK                     | ASSEMBLY | 1    |
| 3    | 2-652   | HANDLE ESCUTCHEON ASM             | ASSEMBLY | 1    |
| 4    | 40709   | POST                              | PART     | 1    |
| 5    | 92031   | SCRW, M6 X 1 X 6 SKT HD CUP PT SS | PART     | 1    |
| 6    | 10615   | HEX KEY, 3MM ALLOY STEEL          | PART     | 1    |
| 7    | 40737   | FINIAL, ROBE HOOK                 | PART     | 1    |



|  |   |          |          |      |   |  |   |  |   |  |
|--|---|----------|----------|------|---|--|---|--|---|--|
| TESTING - - -<br>ASSEMBLY - - -<br>PLATING - - -<br>POLISHING - - -<br>MACHINING - - -   |   |          |          |      | - - -<br>- - -<br>- - -<br>- - -<br>- - - |  | UNITS ARE: INCHES [MM]<br>TOLERANCES ARE:<br>FRACTIONS DECIMALS ANGLES<br>±1/16" .X ±.1 [2.5] ±1°<br>.XX ±.06 [1.5] |  | <b>BRASSTECH</b> 2001 CARNEGIE AVE.<br>INCORPORATED SANTA ANA, CA 92705<br>(949) 417-5207 |  |
| COPYRIGHT 2005 BRASSTECH, INC.<br>THESE DRAWINGS AND THE DESIGNS<br>DEPICTED HEREIN ARE THE PROPRIETARY<br>PROPERTY OF BRASSTECH. ANY USE<br>OR REPRODUCTION IS SUBJECT TO<br>THE EXPRESS APPROVAL OF BRASSTECH.<br>UNAUTHORIZED USE IS STRICTLY<br>PROHIBITED. ALL RIGHTS RESERVED. |   |          |          |      | NEXT ASSY USED ON                         |  | (X.XXX) DENOTES CRITICAL DIMS.<br>ALL THREADS ARE CRITICAL  |  | <b>TOWEL RING</b>   |  |
| -  | A | EN-4300T | 06/29/22 | R.S. | DRAWN R.S. 06/21/19                       |  | CHECKED J.M. 06/21/19   |  | DWG NO. 5410 REV A  |  |
| -  | - | EN-3841  | 06/21/19 | J.M. | TOOLING FIXTURE #                         |  | APPLICATION REMOVE ALL BURRS AND SHARP EDGES  |  | SCALE .375 REF. - SHEET 1 OF 2  |  |



|                  |      |  |        |
|------------------|------|--|--------|
| <b>BRASSTECH</b> |      | 2001 E. CARNEGIE AVE.<br>SANTA ANA, CA 92705<br>(949) 417-5207 |        |
| DWG NO.          | 5410 | REV  | A      |
| SCALE            | 1.00 | REF.   | -      |
|                  |      | SHEET  | 2 OF 2 |