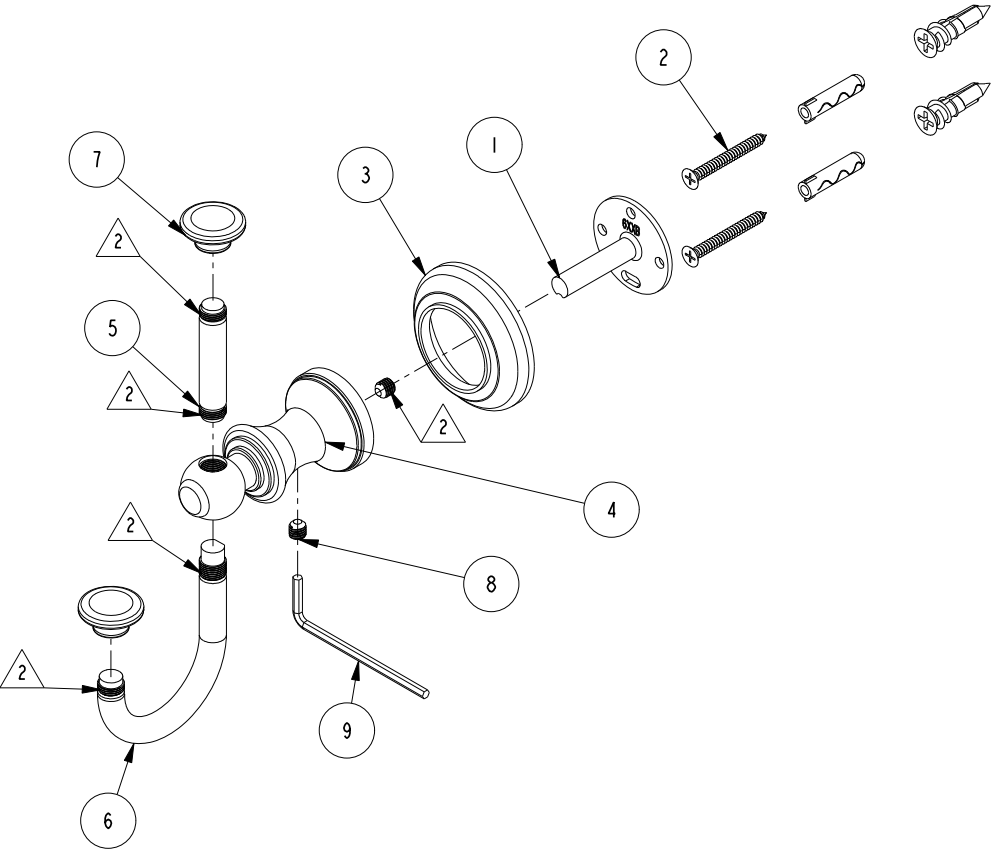


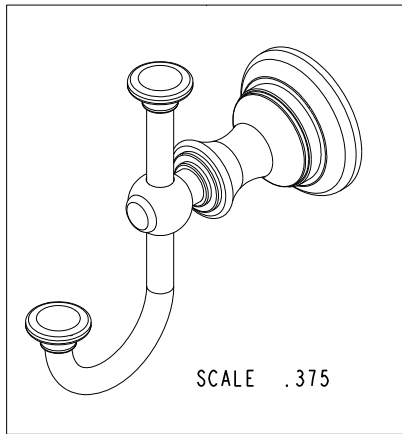
NOTES:

- (N1) 1. TO INSPECT ASSEMBLY, FOLLOW FIRST ARTICLE AND IN PROCESS INSPECTION SHEET.
- (2) APPLY LOCTITE 680.
- (N3) 3. PLACE ITEMS# 2 AND 9 IN A SEPARATE BAG



BILL OF MATERIAL (CURRENT LEVEL)

ITEM	PT/ASSY	DESCRIPTION	TYPE	QTY.
1	6XXB	MOUNTING BRACKET	PART	1
2	1-206	HARDWARE PACK	ASSEMBLY	1
3	2-656	HANDLE ESCUTCHEON ASM	ASSEMBLY	1
4	40726	DOUBLE ROBE HOOK POST	PART	1
5	40738	ROD - J ROBE HOOK	PART	1
6	40739	J ROD - J ROBE HOOK	PART	1
7	40362	FINIAL, J ROBE HOOK	PART	2
8	92031	SCRW, M6 X 1 X 6 SKT HD CUP PT SS	PART	2
9	10615	HEX KEY, 3MM ALLOY STEEL	PART	1



TESTING	-	-	-
ASSEMBLY	-	-	-
PLATING	-	-	-
POLISHING	-	NEXT ASSY	USED ON
MACHINING	-	APPLICATION	
TOOLING FIXTURE #	REMOVE ALL BURRS AND SHARP EDGES		

UNITS ARE: INCHES [MM]		
TOLERANCES ARE:		
FRACTIONS	DECIMALS	ANGLES
±1/16"	.X ±.1 [2.5]	±1°
	.XX ±.06 [1.5]	
(X.XXX) DENOTES CRITICAL DIMS.		
ALL THREADS ARE CRITICAL		
DRAWN	R.S.	06/21/19
CHECKED	J.M.	06/21/19
APPROVED	J.M.	06/21/19

BRASSTECH 2001 CARNEGIE AVE.
INCORPORATED SANTA ANA, CA 92705
(949) 417-5207

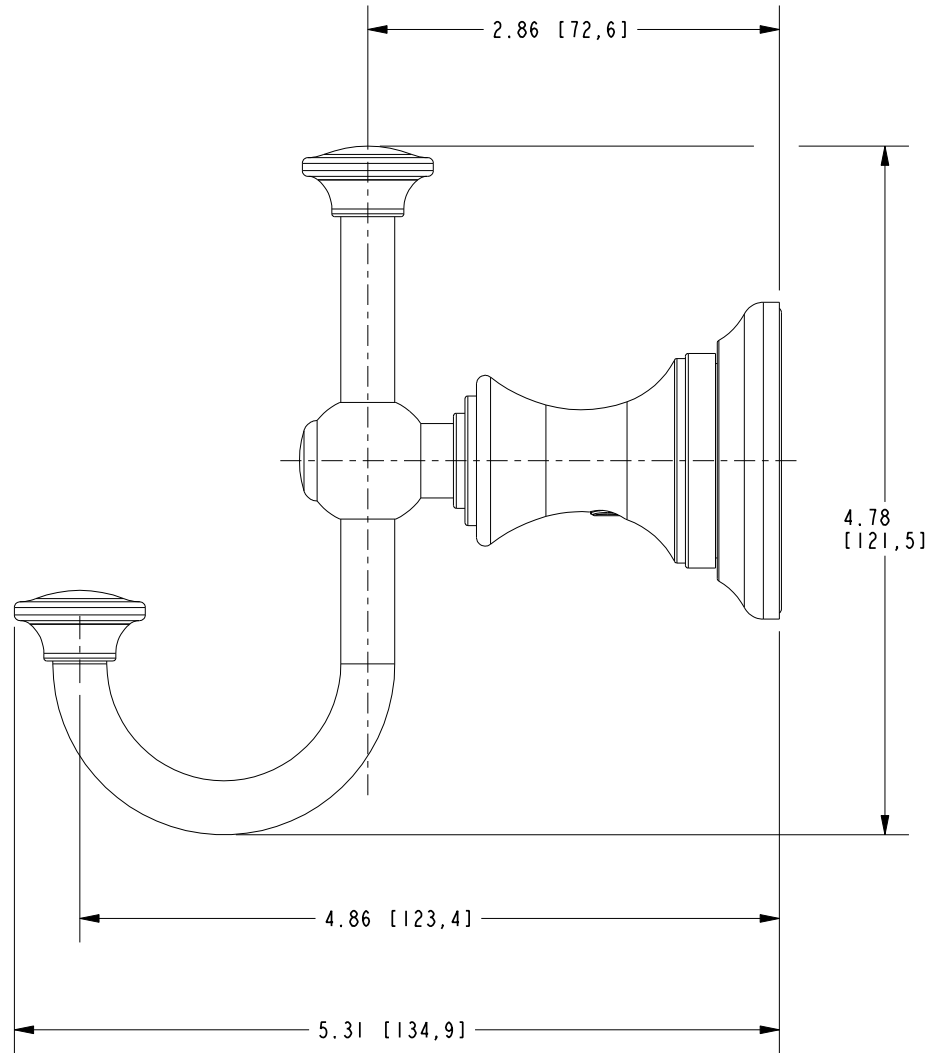
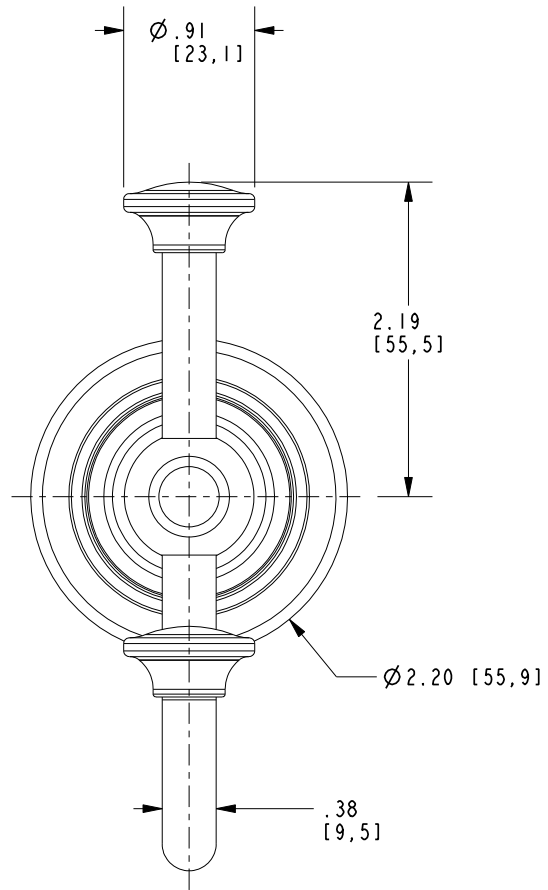
DOUBLE ROBE HOOK

DWG NO. **5611** REV **A**

SCALE .375 REF. - SHEET 1 OF 2

COPYRIGHT 2005 BRASSTECH, INC. THESE DRAWINGS AND THE DESIGNS DEPICTED HEREIN ARE THE PROPRIETARY PROPERTY OF BRASSTECH. ANY USE OR REPRODUCTION IS SUBJECT TO THE EXPRESS APPROVAL OF BRASSTECH. UNAUTHORIZED USE IS STRICTLY PROHIBITED. ALL RIGHTS RESERVED.

-	A	EN-4300T	06/29/22	R.S.
-	-	EN-3841	06/21/19	J.M.
ZONE	REV	DESCRIPTION	DATE	APPROVED



BRASSTECH		2001 E. CARNEGIE AVE. SANTA ANA, CA 92705 (949) 417-5207	
DWG NO.	5611	REV	A
SCALE	.750	REF.	-
		SHEET	2 OF 2