
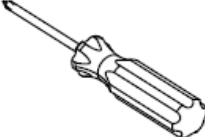

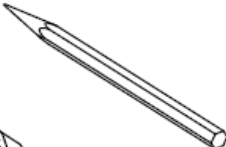

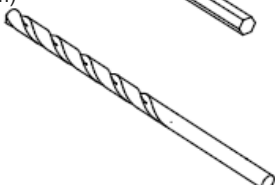

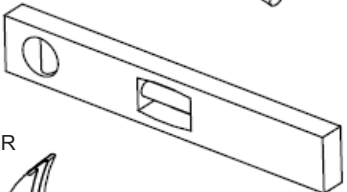

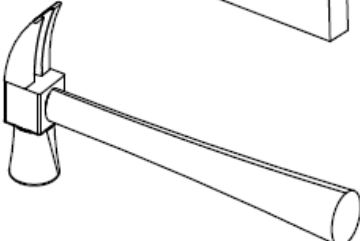

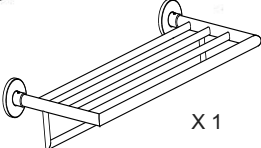


ITEMS INCLUDED	TOOLS REQUIRED
DRY WALL ANCHOR  X 6	PHILLIPS SCREW DRIVER 
TILE ANCHOR  X 6	PEN / PENCIL 
#8 SCREW  X 6	1/4" (6 mm) DRILL 
MOUNTING BRACKET  X 2	LEVEL SET 
M6X1 SET SCREW  X 2	HAMMER 
3 MM HEX KEY  X 1	
HOTEL SHELF  X 1	

# HOTEL SHELF

## INSTALLATION INSTRUCTIONS

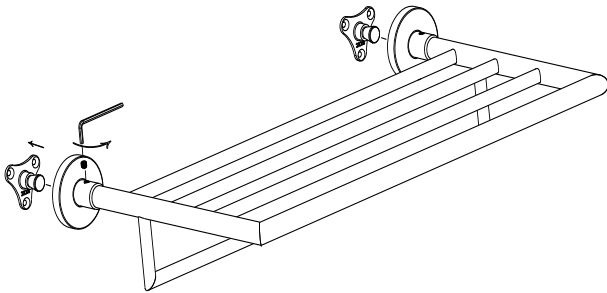
XX40-20, XX43-20, XX43S-20

XX40-24, XX43-24, XX43S-24

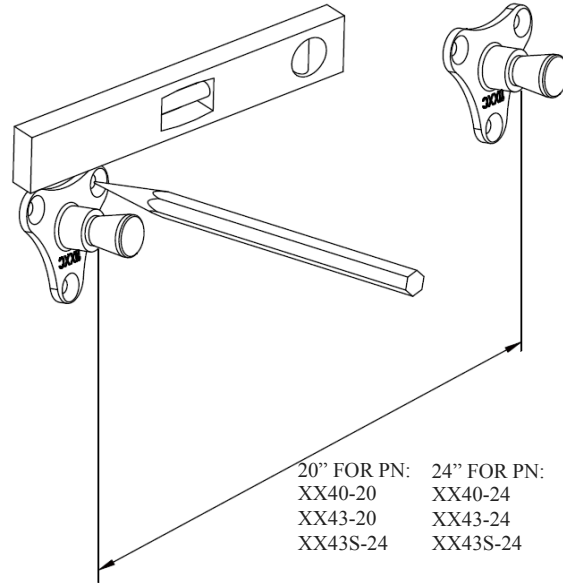
**GINGER**  
*Luxury For Your Lifestyle™*

2001 CARNEGIE AVE, SANTA ANA CA 92705  
 (949) 417-5207  
 WWW.GINGERCO.COM

1 REMOVE MOUNTING BRACKETS



2 ALIGN MOUNTING BRACKETS AND MARK LOCATION



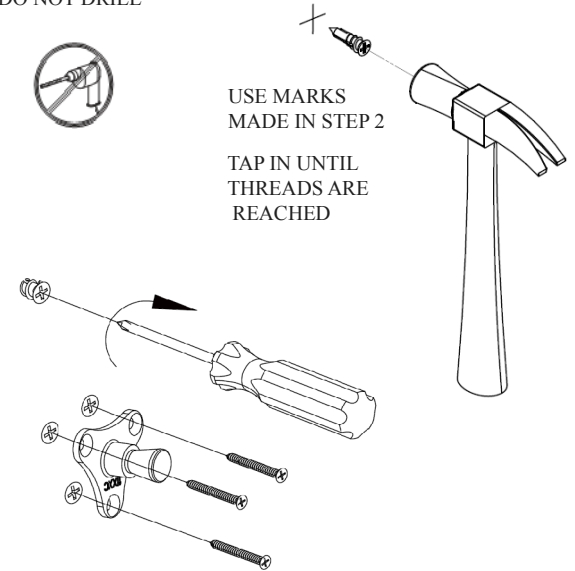
3 DRY WALL INSTALLATION

DO NOT DRILL



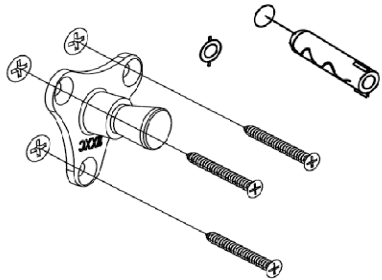
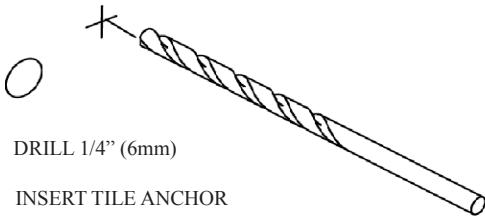
USE MARKS  
MADE IN STEP 2

TAP IN UNTIL  
THREADS ARE  
REACHED

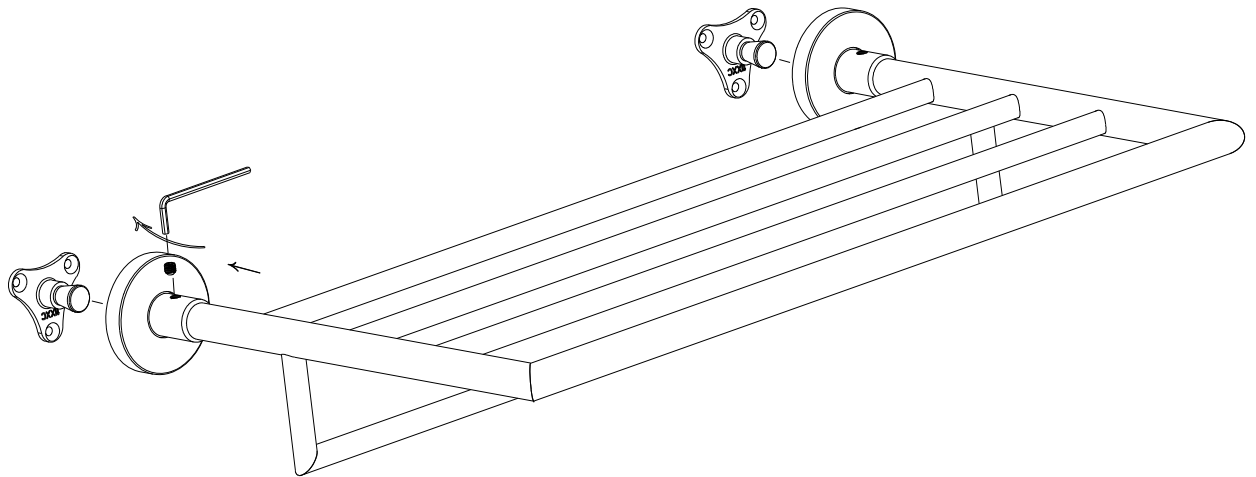


4 TILE OR SOLID WALL INSTALLATION

USE MARKS MADE IN STEP 2



5 INSTALL PRODUCT ONTO BRACKETS



SECURE WITH SET SCREW