

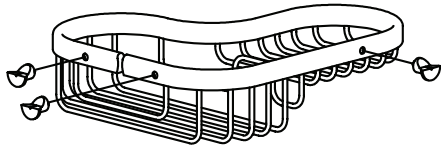


**GINGER**  
*Luxury For Your Lifestyle®*

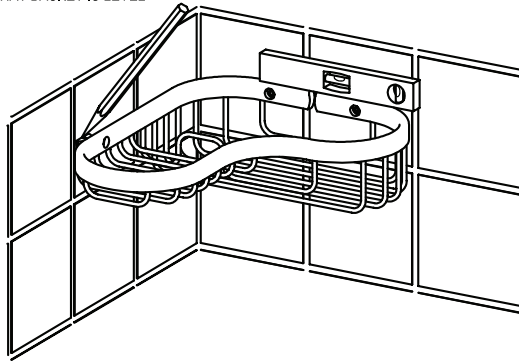
# SPLASHABLES®

## CORNER BASKET INSTALLATION INSTRUCTIONS

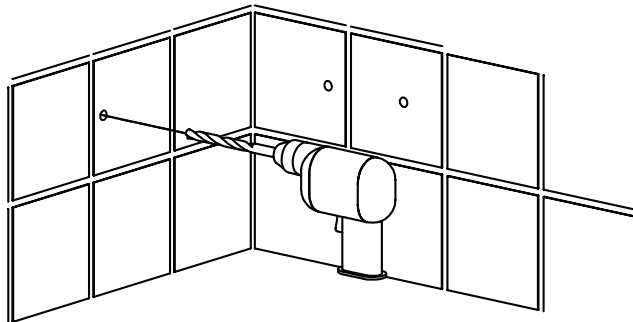
- ① INSERT PLASTIC MARKING POST FLUSH WITH BASKET WITH BASKET



- ② MARK LOCATION OF MOUNTING SCREWS INSURING THAT BASKET IS LEVEL

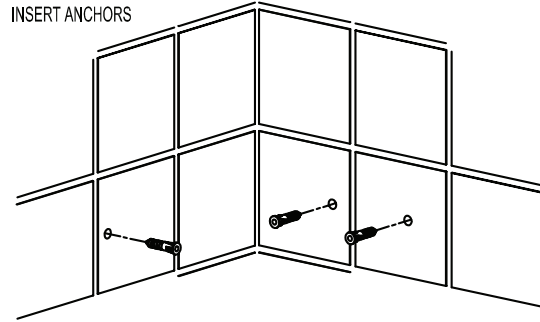


- ③ DRILL HOLES: Ø 3/16" [Ø 5mm] IN DRY WALL OR Ø 1/4" [Ø 6mm] IN TILE

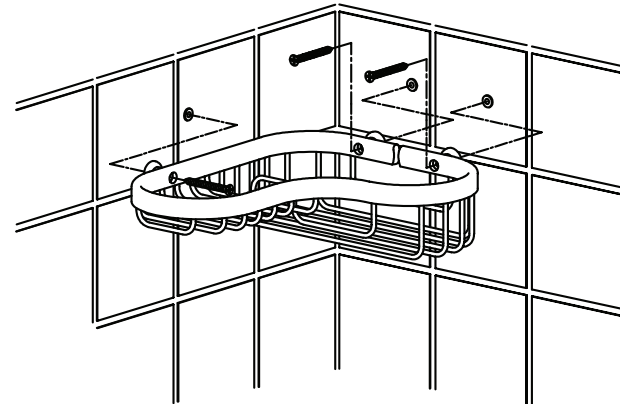


**CARE OF FINE BRASS**  
*To clean, use warm water only.  
NEVER use abrasives or detergents.*

- ④ INSERT ANCHORS



- ⑤ REMOVE PLASTIC MARKING POSTS AND INSERT MOUNTING SCREWS THROUGH THE BASKET FRAME AND METAL POSTS AND TIGHTEN INTO WALL ANCHORS



- ⑥ INSERT SCREW COVERS: WETTING THE BLACK RUBBER ON THE COVER WILL MAKE INSERTION EASIER

