
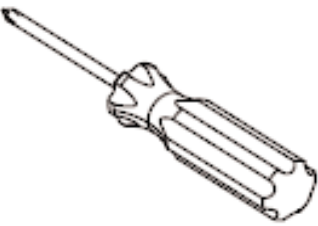

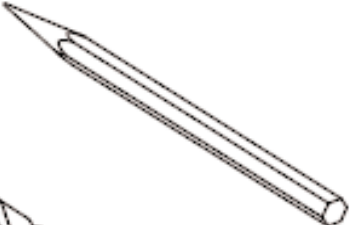



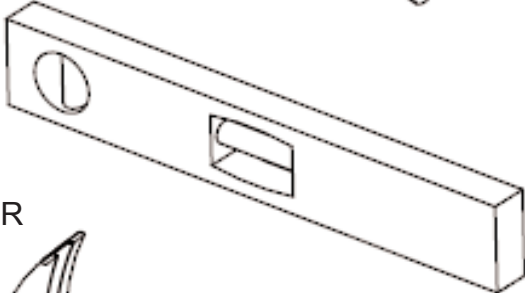

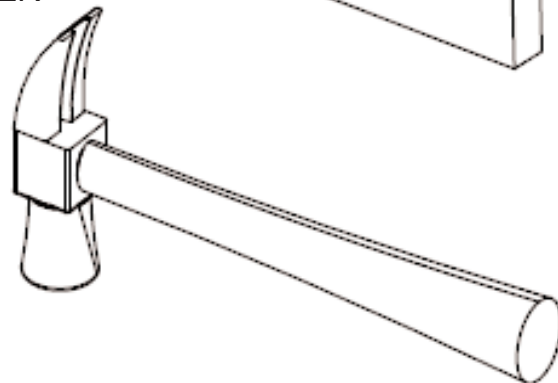

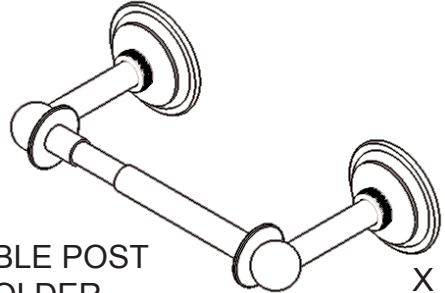


ITEMS INCLUDED		TOOLS REQUIRED	
DRY WALL ANCHOR	 X 4	PHILLIPS SCREW DRIVER	
TILE ANCHOR	 X 4	PEN / PENCIL	
#8 SCREW	 X 4	1/4" (6 mm) DRILL	
MOUNTING BRACKET	 X 2	LEVEL SET	
M5 X 5 SET SCREW	 X 2	HAMMER	
2.5 MM HEX KEY	 X 1		
DOUBLE POST TT HOLDER	 X 1		

INSTALLATION INSTRUCTIONS

DOUBLE POST TT HOLDER



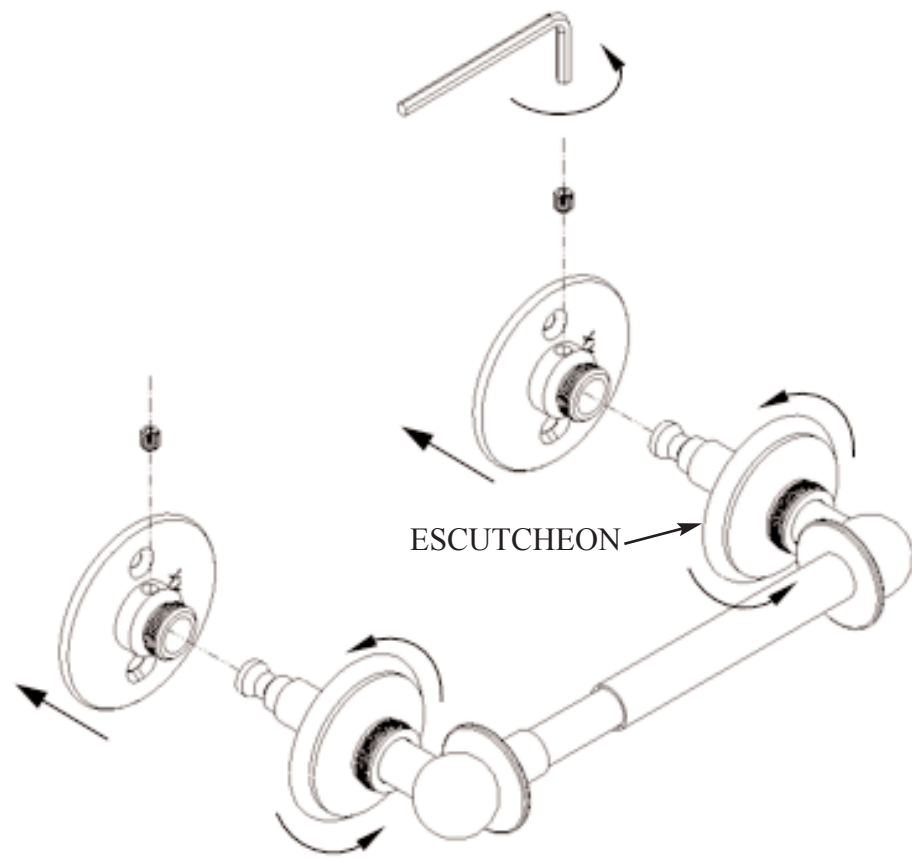
2001 CARNEGIE AVE, SANTA ANA CA 92705

(949) 417-5207

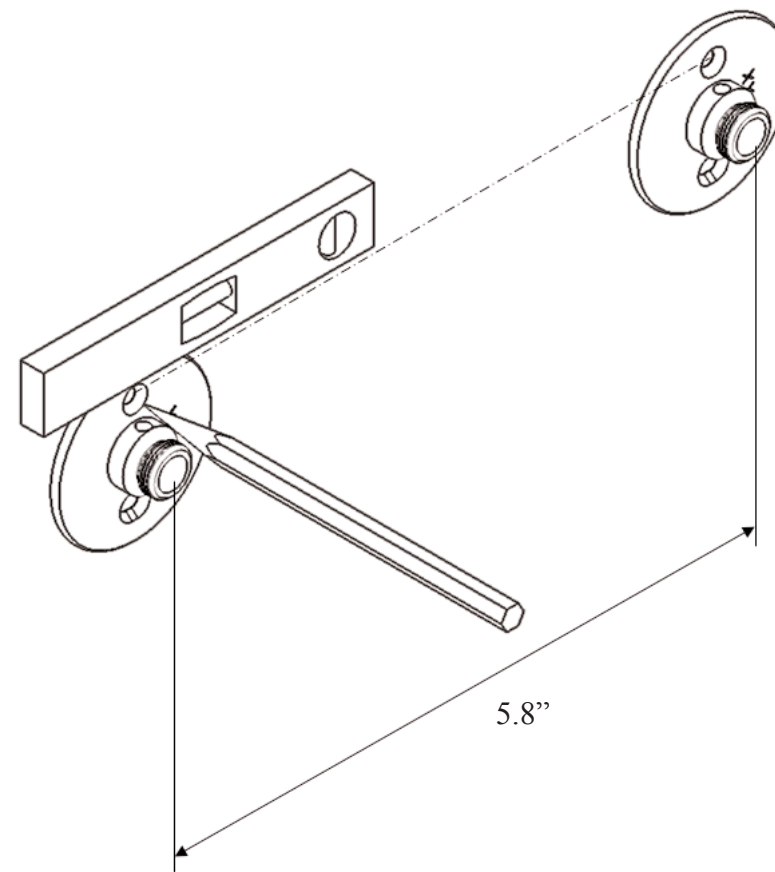
WWW.GINGERCO.COM

WWW.NEWPORTBRASS.COM

① REMOVE MOUNTING BRACKETS AFTER LOOSENING THE ESCUTCHEON

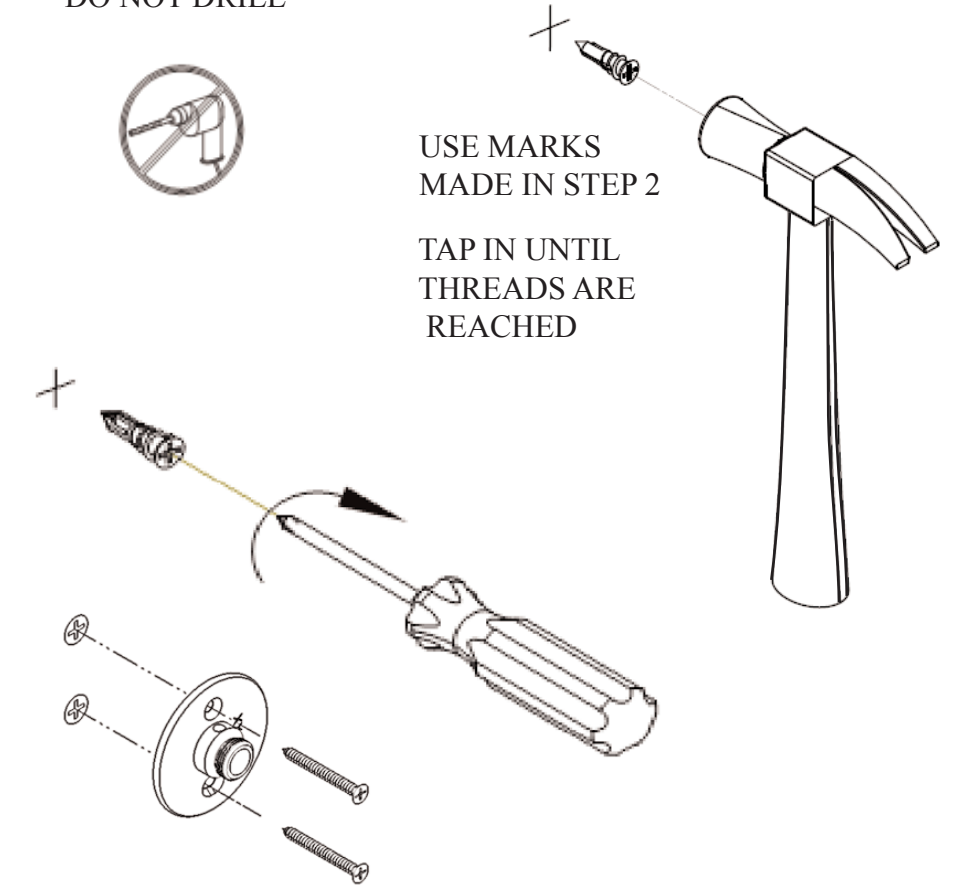


② ALIGN MOUNTING BRACKETS AND MARK LOCATION



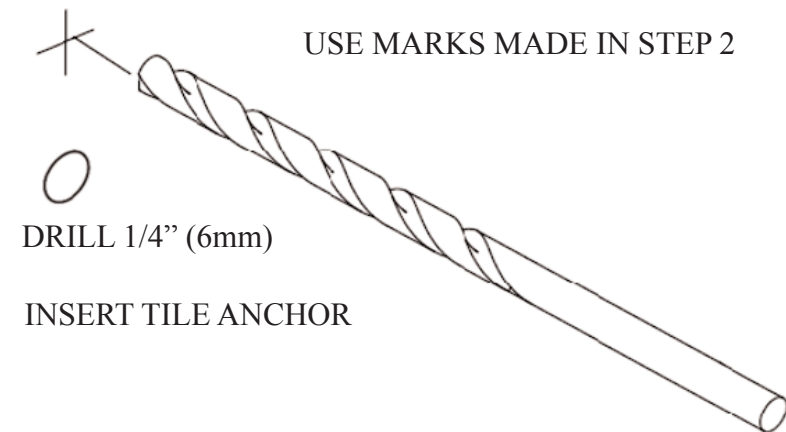
③ DRY WALL INSTALLATION

DO NOT DRILL



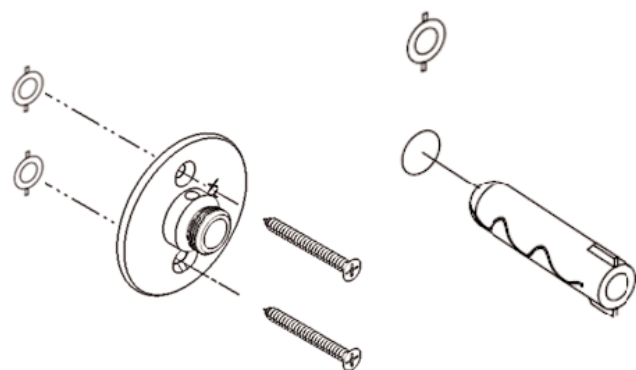
④ TILE OR SOLID WALL INSTALLATION

USE MARKS MADE IN STEP 2



DRILL 1/4" (6mm)

INSERT TILE ANCHOR



⑤ INSTALL PRODUCT ONTO BRACKETS AND TIGHTEN THE ESCUTCHEON

