
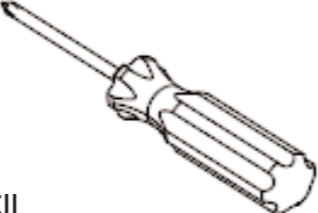

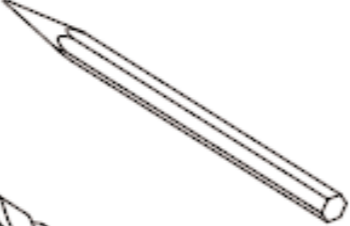

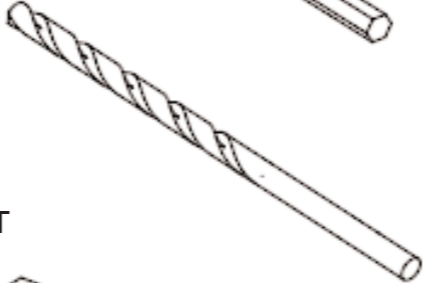

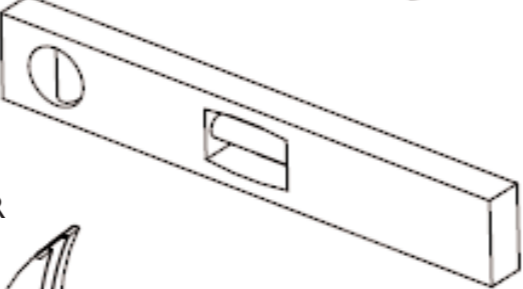

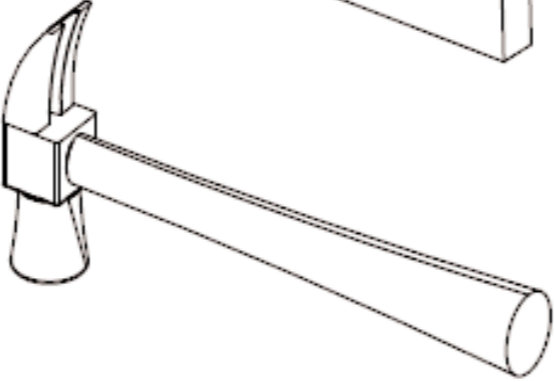
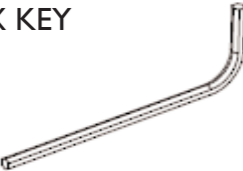
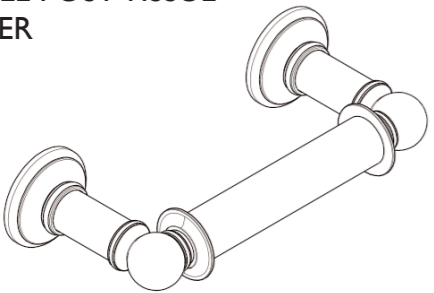


ITEMS INCLUDED		TOOLS REQUIRED	
DRY WALL ANCHOR	 X 4	PHILLIPS SCREW DRIVER	
TILE ANCHOR	 X 4	PEN / PENCIL	
#8 SCREW	 X 4	1/4" (6 mm) DRILL	
MOUNTING FLANGE	 X 2	LEVEL SET	
M5X5 SET SCREW	 X 2	HAMMER	
2.5 MM HEX KEY	 X 1		
DOUBLE POST TISSUE HOLDER	 X 1		

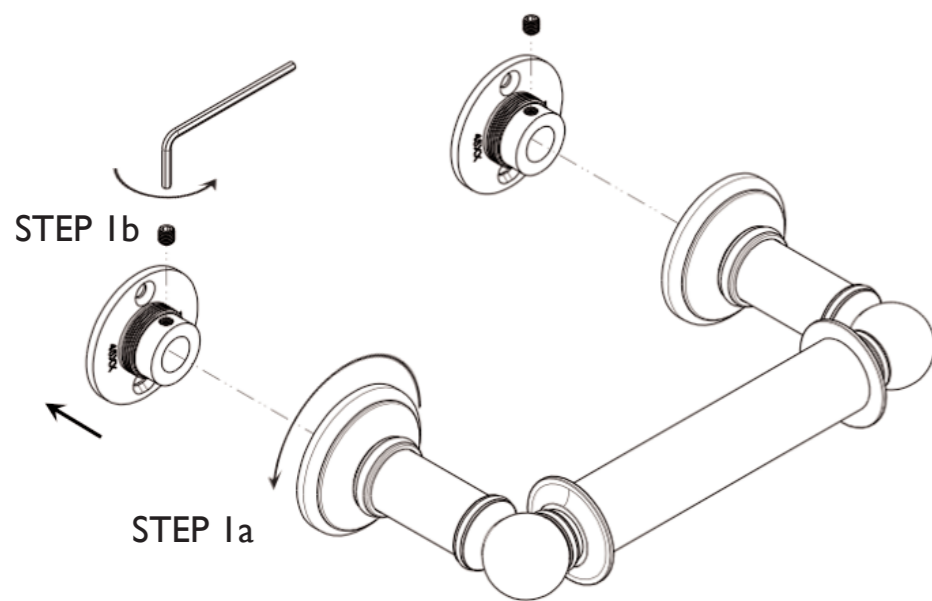
## INSTALLATION INSTRUCTIONS

### DOUBLE POST TISSUE HOLDER

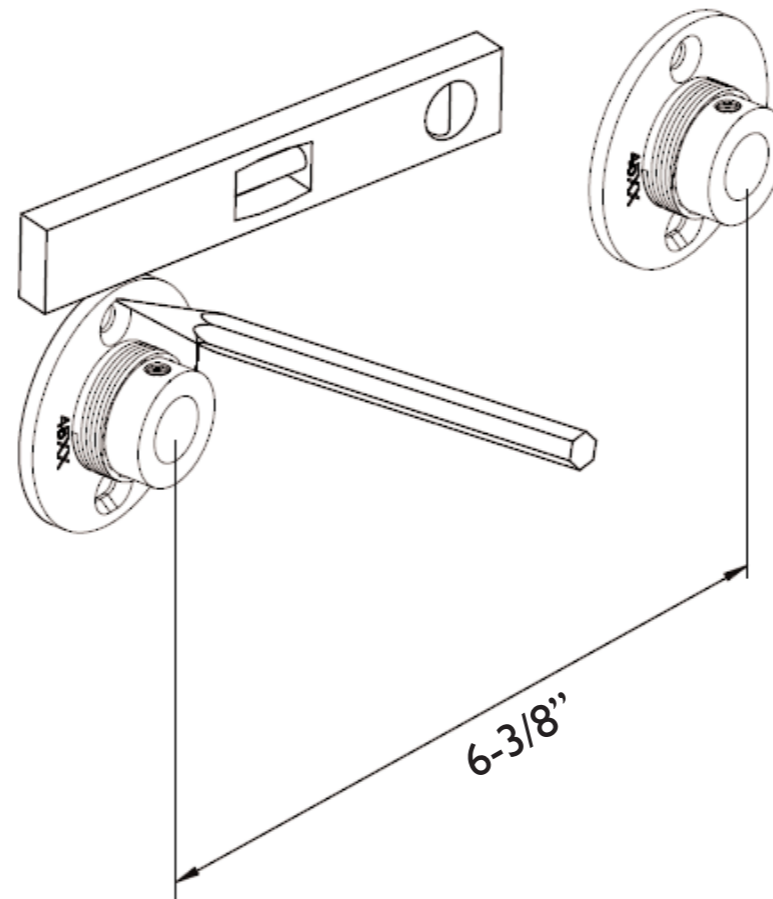


2001 CARNEGIE AVE, SANTA ANA CA 92705  
 (949) 417-5207  
 WWW.NEWPORTBRASS.COM

1 REMOVE MOUNTING FLANGES

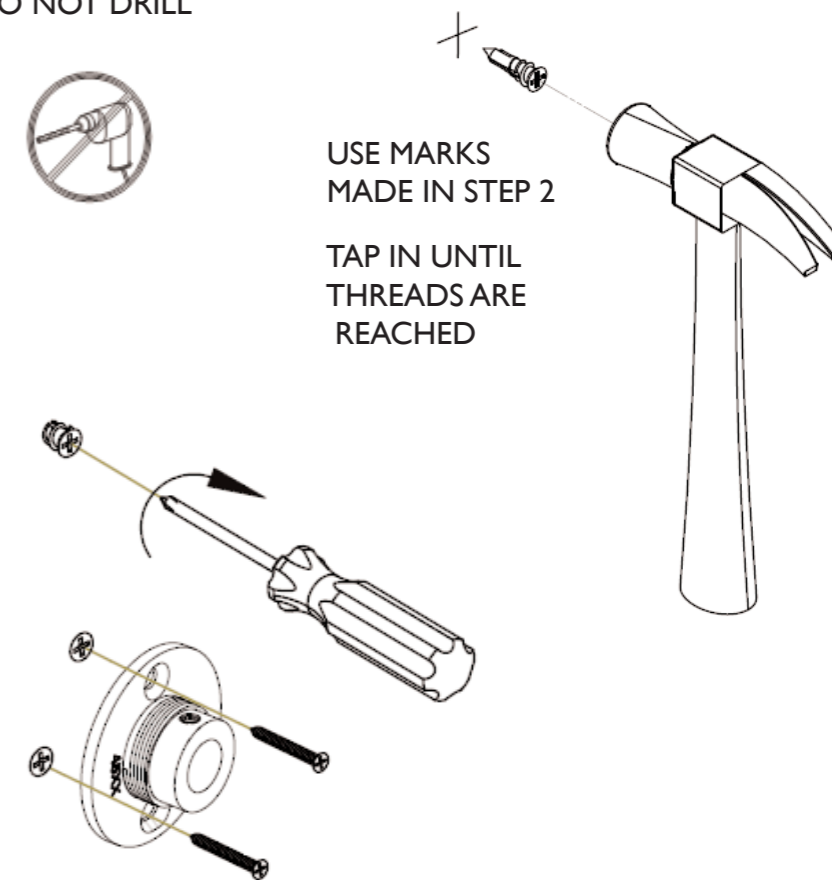


2 ALIGN MOUNTING FLANGES AND MARK LOCATION



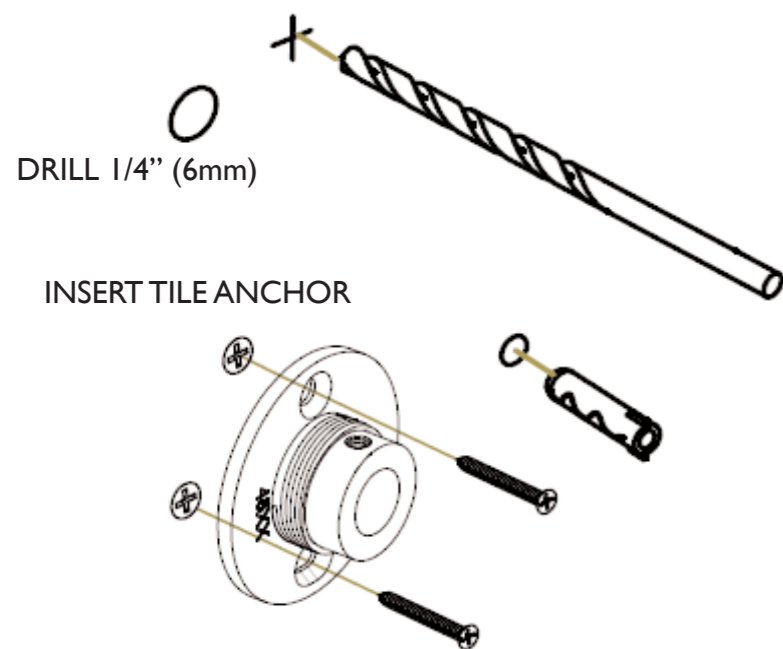
3 DRY WALL INSTALLATION

DO NOT DRILL

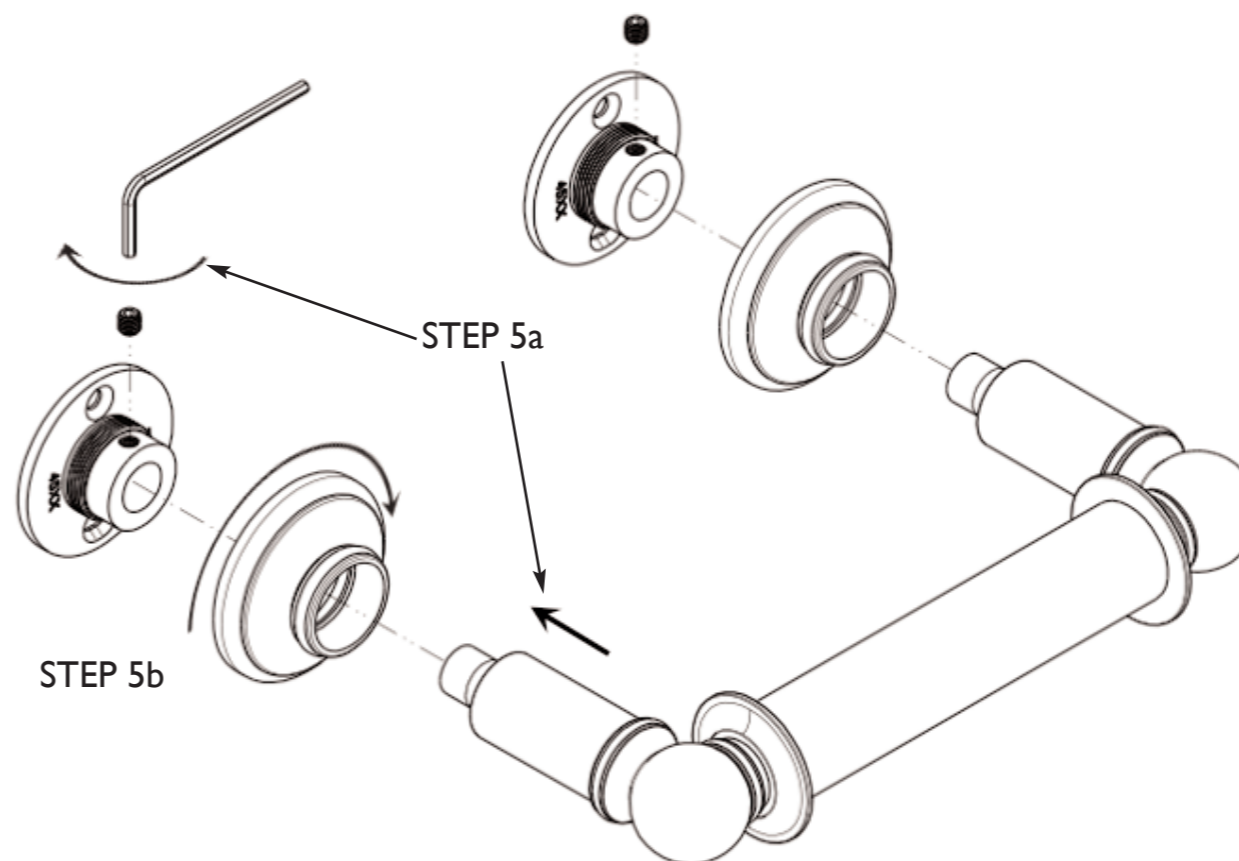


4 TILE OR SOLID WALL INSTALLATION

USE MARKS MADE IN STEP 2



5 INSTALL PRODUCT ONTO FLANGES



SECURE WITH SET SCREW