
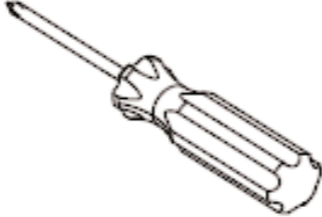

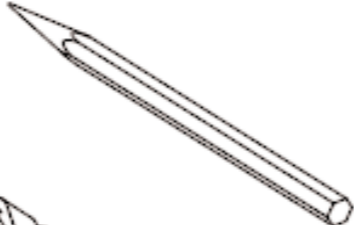

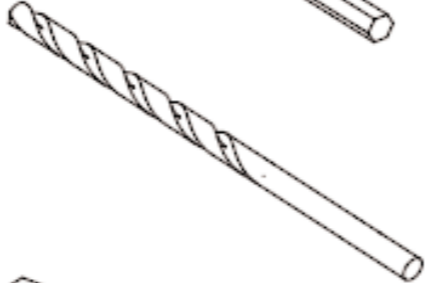
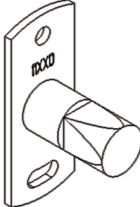
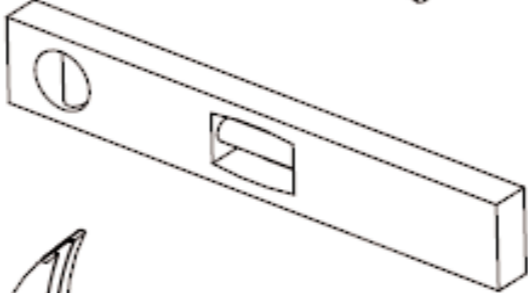

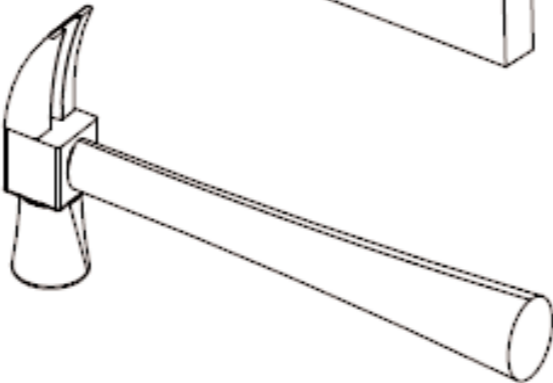

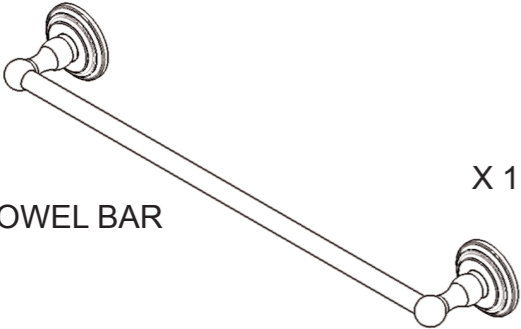


| ITEMS INCLUDED | | TOOLS REQUIRED | |
|------------------|---|-----------------------|--|
| DRY WALL ANCHOR |  X 4 | PHILLIPS SCREW DRIVER |  |
| TILE ANCHOR |  X 4 | PEN / PENCIL |  |
| #8 SCREW |  X 4 | 1/4" (6 mm) DRILL |  |
| MOUNTING BRACKET |  X 2 | LEVEL SET |  |
| M5 X 5 SET SCREW |  X 2 | HAMMER |  |
| 2.5 MM HEX KEY |  X 1 | | |
| TOWEL BAR |  X 1 | | |

INSTALLATION INSTRUCTIONS

TOWEL BAR



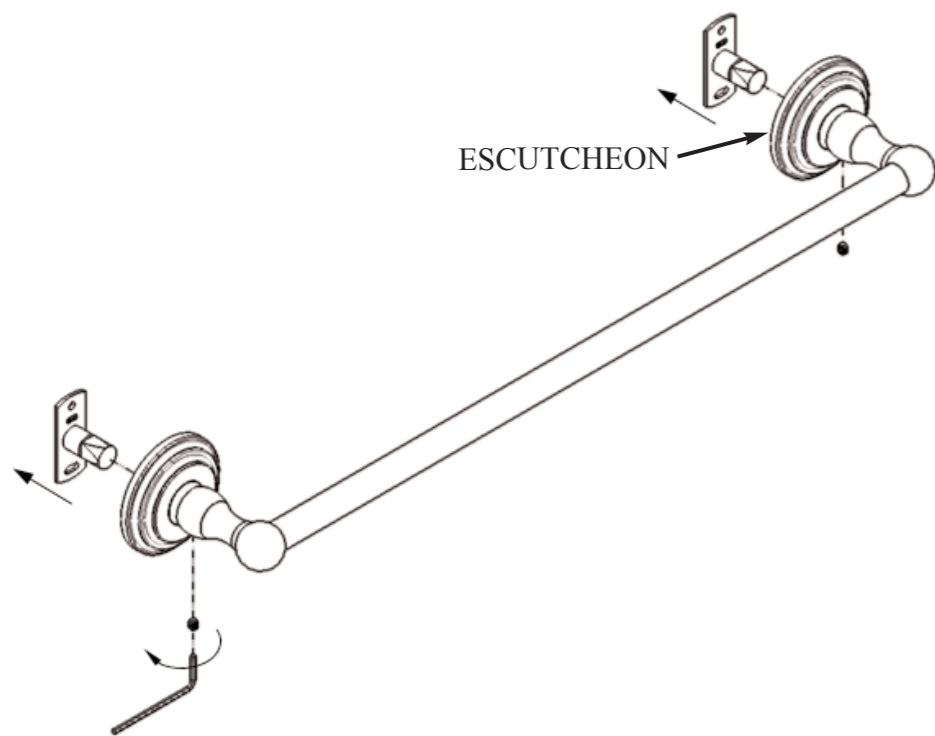
2001 CARNEGIE AVE, SANTA ANA CA 92705

(949) 417-5207

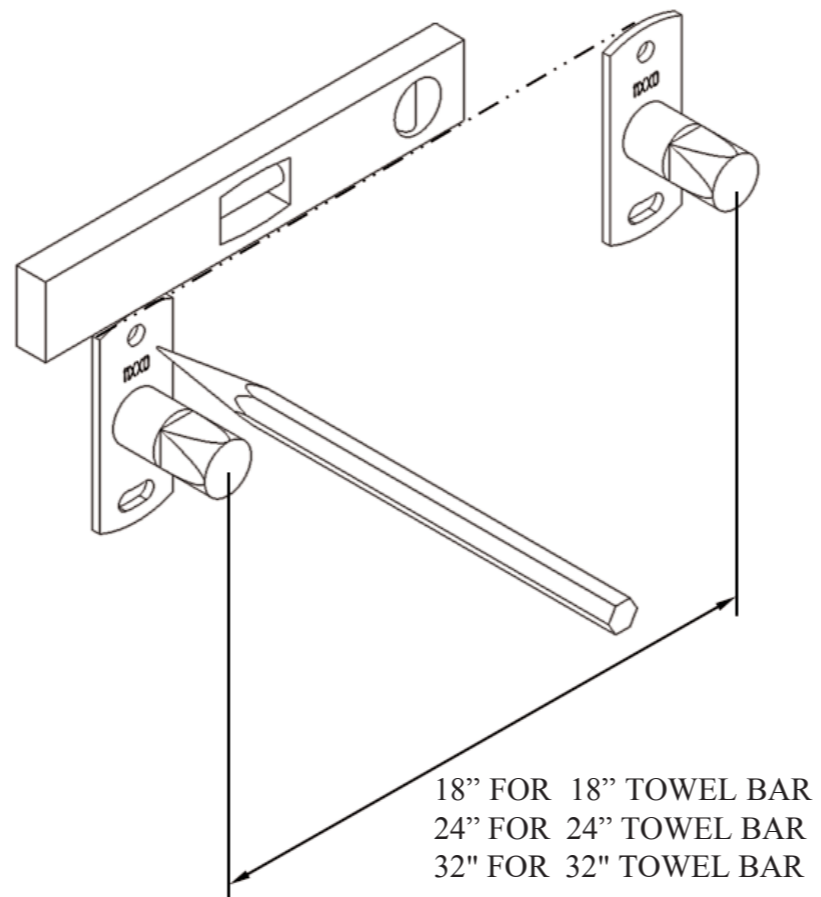
WWW.GINGERCO.COM

WWW.NEWPORTBRASS.COM

① REMOVE MOUNTING BRACKETS



② ALIGN MOUNTING BRACKETS AND MARK LOCATION



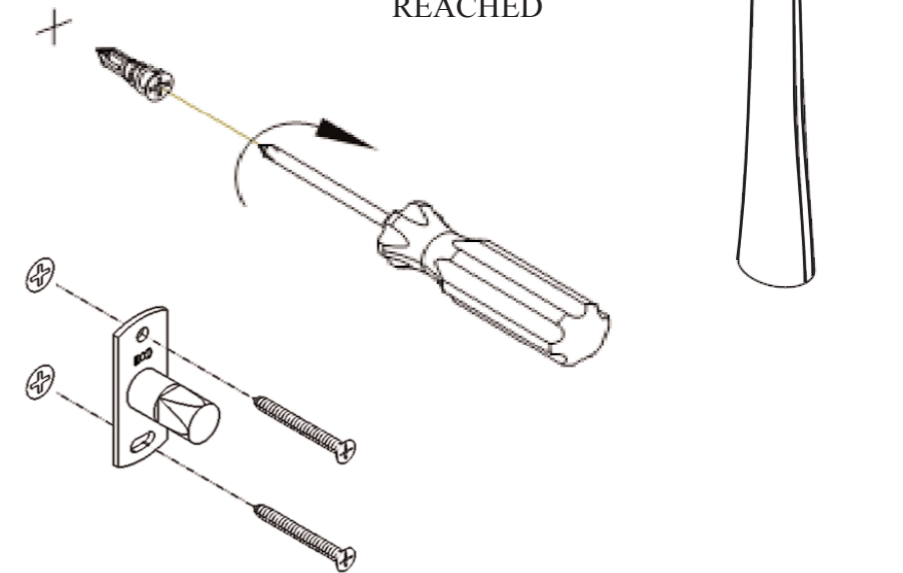
③ DRY WALL INSTALLATION

DO NOT DRILL



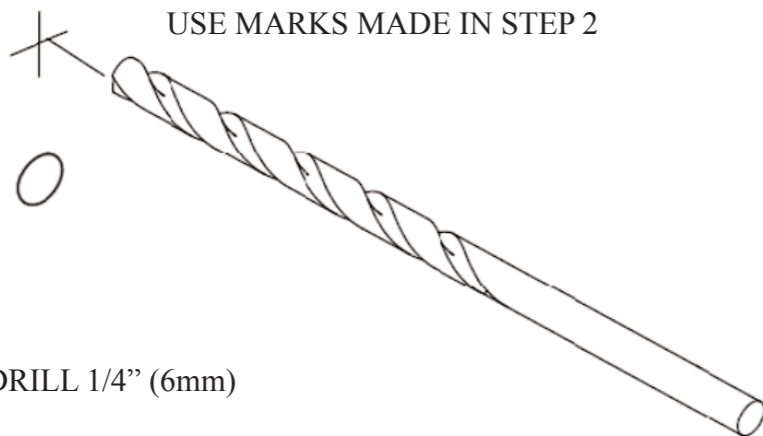
USE MARKS
MADE IN STEP 2

TAP IN UNTIL
THREADS ARE
REACHED



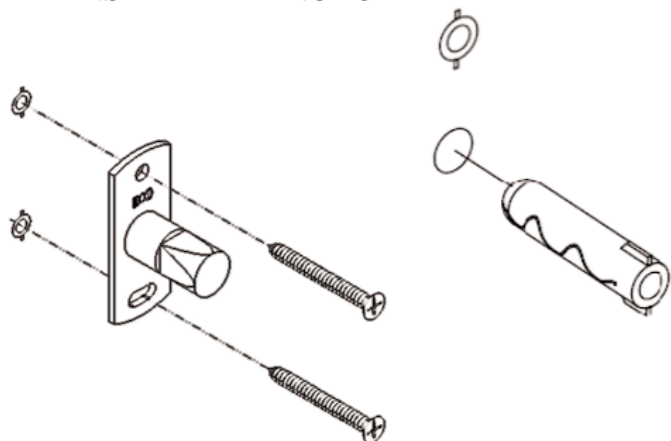
④ TILE OR SOLID WALL INSTALLATION

USE MARKS MADE IN STEP 2



DRILL 1/4" (6mm)

INSERT TILE ANCHOR



⑤ INSTALL PRODUCT ONTO BRACKETS

