

Towel Ring 0305

Features

- Solid brass construction
- Single-post, horizontal design with hanging, closed ring
- Complements Hotelier product series

Codes / Standards Compliance

Meets or exceeds the following at date of manufacture:

- All applicable US Federal and State material regulations

Colors / Finishes

- PC: Polished Chrome
- SN: Satin Nickel



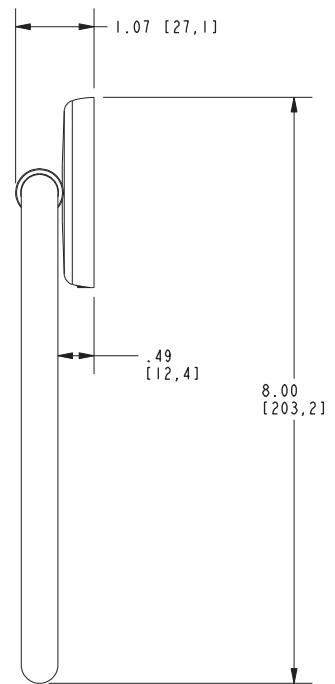
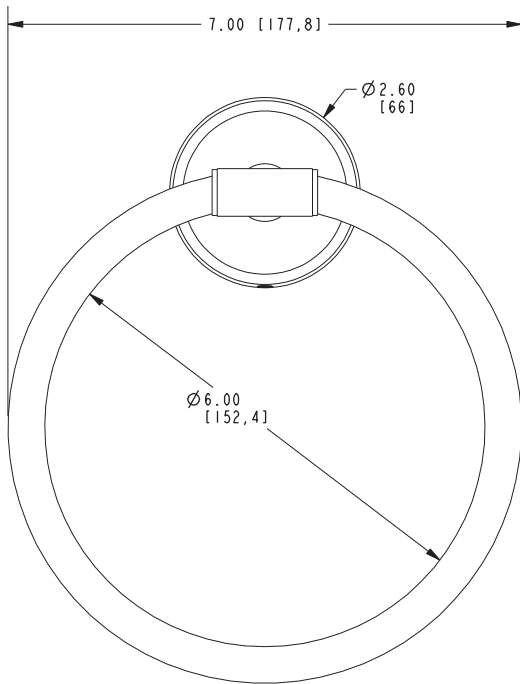
Specified Model

Model	Description	Colors Finishes
0305	Towel Ring	<input type="checkbox"/> PC <input type="checkbox"/> SN

Product Specification: Add "Color / Finish" Suffix to Model Number Below

The Towel Ring shall be made of solid brass construction and incorporate a single-post, horizontal design with hanging, closed ring. Towel Ring shall complement Ginger Hotelier product series. Towel Ring shall be Ginger Model 0305/_____.

0305



Hotelier Towel Ring 0305

GINGER