

Features

- Solid brass construction
- Single-post design with open roller
- Complements Chelsea product series

Codes / Standards Compliance

Meets or exceeds the following at date of manufacture:

- All applicable US Federal and State material regulations

Colors / Finishes

- PC: Polished Chrome
- PN: Polished Nickel
- SN: Satin Nickel



Toilet Tissue Holder 1109

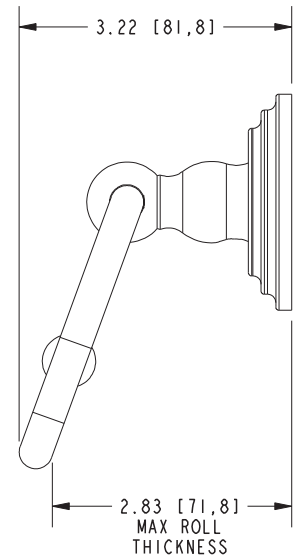
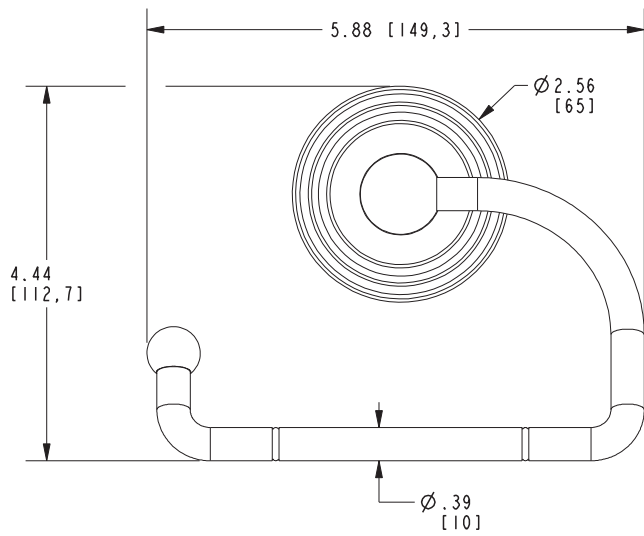
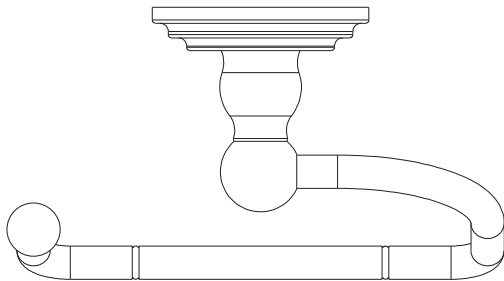
Specified Model

Model	Description	Colors Finishes
1109	Open Toilet Tissue Holder	<input type="checkbox"/> PC <input type="checkbox"/> PN <input type="checkbox"/> SN

Product Specification: Add "Color / Finish" Suffix to Model Number Below

The Toilet Tissue Holder shall be made of solid brass construction and incorporate a single-post, open roller design. Toilet Tissue Holder shall complement Ginger Chelsea product series. Toilet Tissue Holder shall be Ginger Model 1109/_____.

1109



Chelsea Toilet Tissue Holder 1109