

## Toilet Tissue Holder 1127

### Features

- Solid brass construction
- Single-post design with hood and open roller
- Complements Chelsea product series

### Codes / Standards Compliance

Meets or exceeds the following at date of manufacture:

- All applicable US Federal and State material regulations

### Colors / Finishes

- PC: Polished Chrome
- PN: Polished Nickel
- SN: Satin Nickel



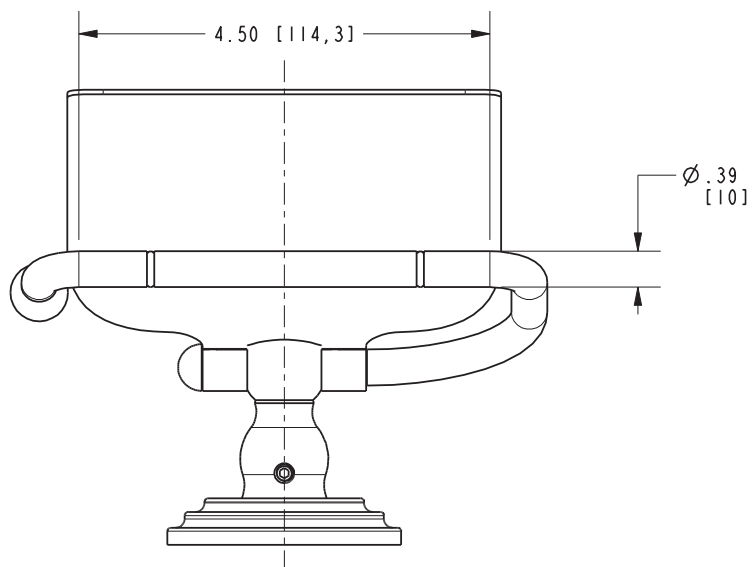
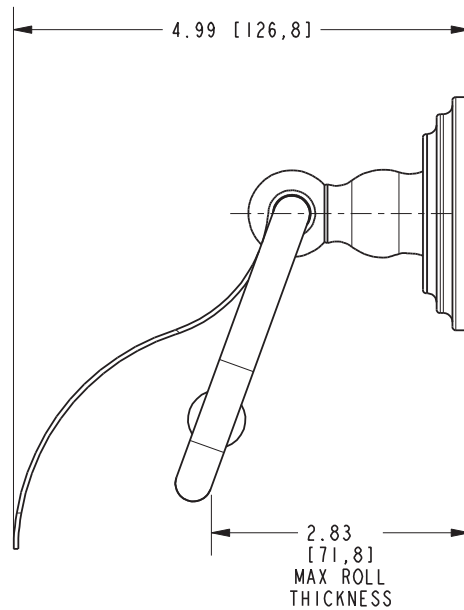
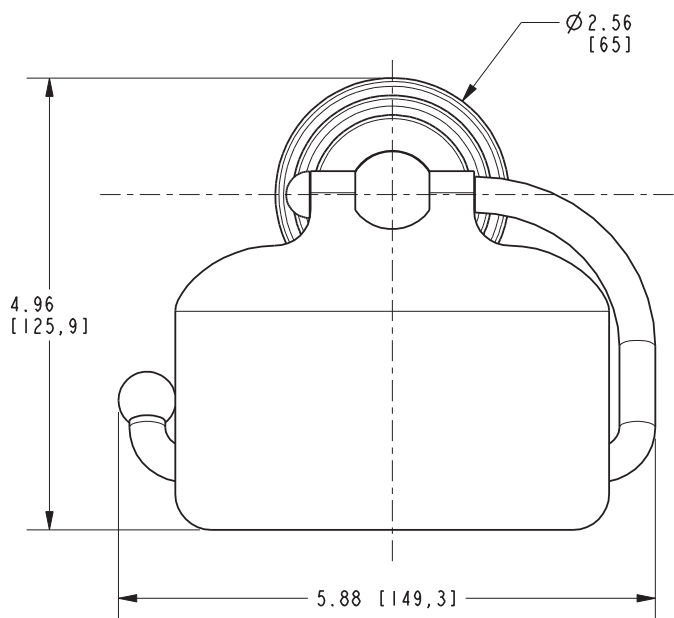
### Specified Model

| Model | Description                      | Colors   Finishes   |
|-------|----------------------------------|---|
| 1127  | Open Hooded Toilet Tissue Holder | <input type="checkbox"/> PC <input type="checkbox"/> PN <input type="checkbox"/> SN |

### Product Specification: Add "Color / Finish" Suffix to Model Number Below

The Toilet Tissue Holder shall be made of solid brass construction and incorporate a single-post design utilizing a hood and open roller. Toilet Tissue Holder shall complement Ginger Chelsea product series. Toilet Tissue Holder shall be Ginger Model 1127/\_\_\_\_\_.

# 1127



## Chelsea Toilet Tissue Holder 1127

# GINGER