

Towel Ring 4705-8

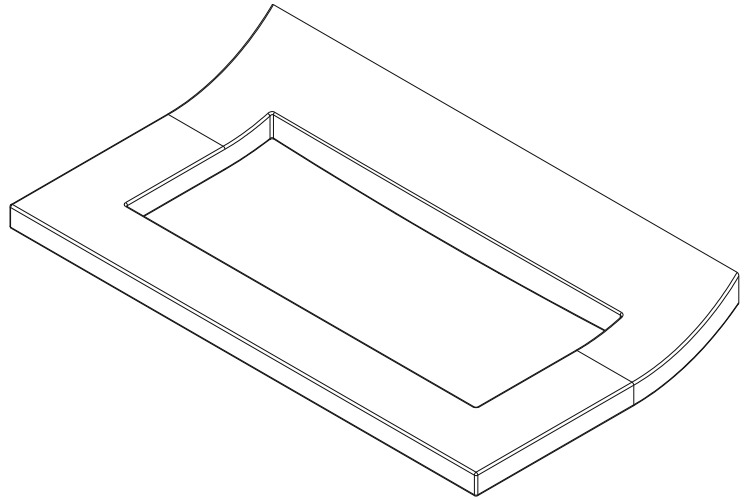
Features

- Solid brass construction
- Double-post design with rigid straight bar
- Complements Cinu product series

Codes / Standards Compliance

Meets or exceeds the following at date of manufacture:

- All applicable US Federal and State material regulations



Colors / Finishes

- PN: Polished Nickel
- SN: Satin Nickel
- PC: Polished Chrome

- Other: N/A

Specified Model

Model	Description	Colors Finishes
4705-8	Towel Ring	<input type="checkbox"/> PN <input type="checkbox"/> SN <input type="checkbox"/> PC

Product Specification: Add "Length Indicator and Color / Finish" suffix to Model number, below.

The Towel Ring shall be made of solid brass construction and incorporate a double-post design with rigid straight bar. Towel Ring shall complement Ginger Cinu product series. Towel Ring shall be Ginger Model 4705-8/_____.

4705-8

Product Dimensions *(units are in inches)*

